

# id<sup>+</sup> 4.5"

LED DOWNLIGHT



clear diffuse

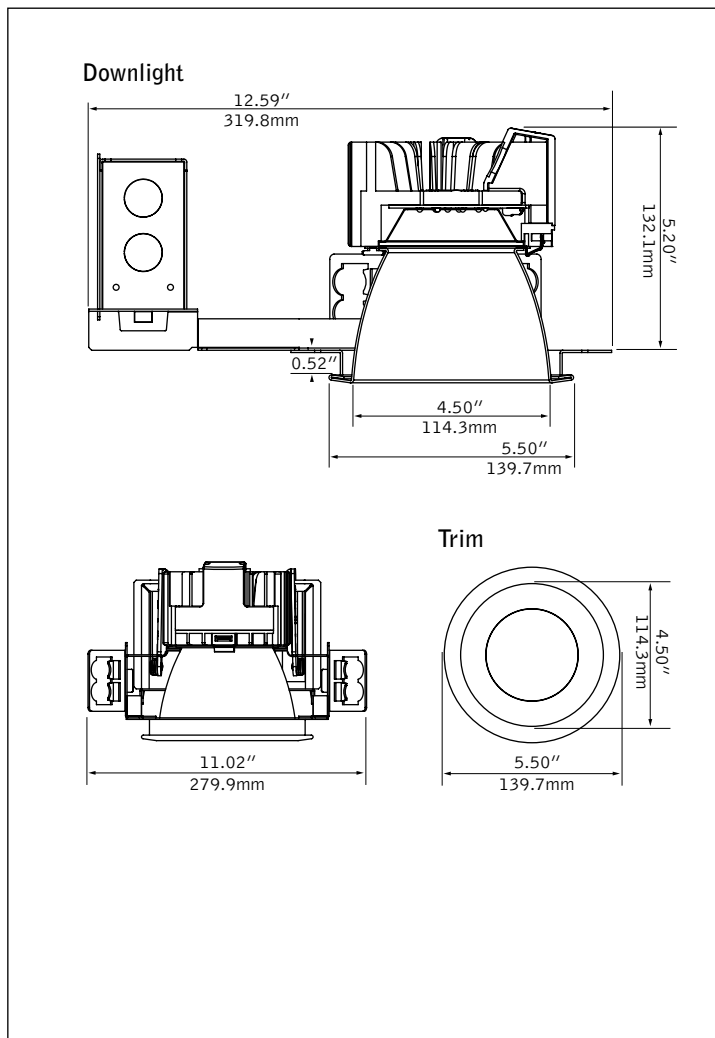


warm diffuse



white painted flange

## DIMENSIONAL DATA



## FEATURES

ChromaSure: Color consistency resulting in a 2-step MacAdam ellipse across the entire ID+ product line.

Field adjustability of ceiling thickness from 0.5" - 2.5".

Shallow housing.

50 degree cutoff to light source and its image.

Selection of dimming drivers available.

Right Light: Standard delivered lumen outputs 1000, 1500, 2000, 2500 and 3000.

## PERFORMANCE

**PRODUCT OVERVIEW**

- Lumen Output: 1000-3000lm
- Wattage: 12-45W
- LPW: 66-81
- Spacing Criteria: 1.01-1.02
- SDCM: 2
- Lumen Maintenance: L70 @ 63,000hrs

Clear Diffuse Reflector  
3500k, 2000 Lumens

**Delivered Lumens: 2000lm**

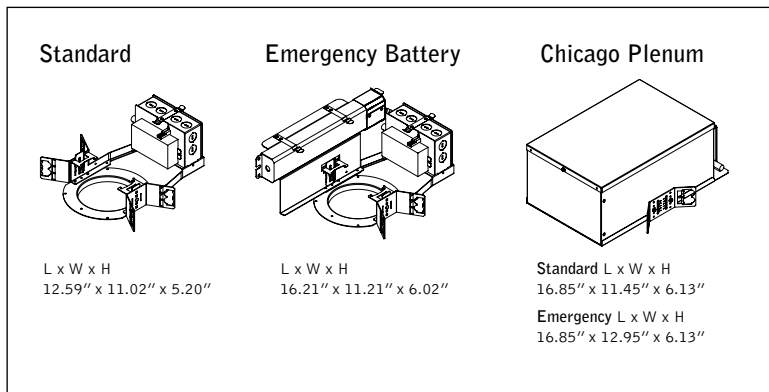
**Total System Watts: 26W**

Photometric performance is measured in accordance with IESNA LM-79. Visit focalpointlights.com for complete photometric data.

fixture:

project:

## HOUSING DETAILS



## HOUSING SPECIFICATIONS

### Construction

Thermally protected housing for new construction applications. Insulation to be kept 3" away from housing. Butterfly brackets allow mounting to 1/2 emt. Order bar hangers as an accessory. Die-cast aluminum heat sink designed for maximum thermal dissipation. Die-formed housing and integral junction box with (7) 1/2" pry outs. UL & cUL listed for (6) #14 AWG (3 in, 3 out) 90°C conductors and feed through-branch wiring. Accommodates ceiling thicknesses up to 0.5" standard, field adjustable up to 2.5" thickness. For thicker ceiling consult factory. Fixture will not exceed 5 lb.

### Electrical

Choice of constant current dimming drivers. Power factor > .9 typical.

### Emergency

Emergency Battery Pack: Bodine BSL17C-C2. Emergency output —7W for 90 minutes. Maximum mounting height: 23.3ft

### Labels

UL and cUL listed. Wet Location listed, indoor use only.

### Lumen Maintenance

Reported: L70 at >63,000 hours  
Derived from EPA TM-21 calculator

### Warranty

LED System rated for operation in ambient environments up to 25°C. 5 year limited warranty.

## TRIM & LED SPECIFICATIONS

### LED System

Proprietary array incorporates premium LEDs on a robust platform. May be specified in 2700K, 3000K, 3500K or 4000K, CRI>80. Color accuracy within 2 SDCM. Aluminum heat sink provides appropriate thermal management.

### Aesthetics

Parabolic reflector cone ensures glare free optics. Reflector is .050 spun aluminum. Torsion springs pull trim tight to the ceiling with no visible fasteners within the trim. Trims are self-flanged. Non-painted trim matches reflector finish. White painted flange may also be specified.

### Optics

50-degree cut-off to light source and its image.

## PERFORMANCE CHART

Delivered Lumens	System Watts	LPW
1000	12	81
1500	19	78
2000	26	76
2500	36	70
3000	45	66

\*Based on 3500/4000K. Clear Diffuse reflector cone. 2700K multiplier: 0.84. 3000K multiplier: 0.92. Lumen output may vary +/- 5%. Actual wattage may vary +/- 5%.

Focal Point LLC reserves the right to change specifications for product improvement without notification.

## HOUSING ORDERING

<b>Housing Series</b>	FLC4D	<b>FLC4D</b>
ID+ 4.5" Round Downlight		
<b>Trim Type</b>		
Round Flush	RF	
Round Overlap	RO	
<b>Lumen Output</b>		
1000 Lumens	1000L	
1500 Lumens	1500L	
2000 Lumens	2000L	
2500 Lumens	2500L	
3000 Lumens	3000L	
<b>Voltage</b>		
120V	120	
277V**	277	
<b>Driver</b>		
0-10V - 1% Dimming	L11	
0-10V - 10% Dimming	LD1	
Lutron A-Series	L3D	
1% EcoSystem Digital <small>(Consult factory for 3-wire control)</small>		
DALI - 1% Dimming	D11	
<b>Housing Type</b>		<b>T</b>
Thermally Protected, Non-IC	T	
<b>Factory Options</b>		
Bar Hangers	BH	
Chicago Plenum / National Plenum	CP	
Emergency Battery <small>(Must order LC4EM trim)</small>	EM	
<b>TRIM &amp; LED MODULE</b>		
<b>Aperture</b>		
4.5" Round Reflector	LC4	
4.5" Round Reflector - Emergency <small>(Required for "EM" option)</small>	LC4EM	
<b>Trim Type</b>		<b>RD</b>
Round	RD	
<b>Lumens Output</b>		
1000 Lumens	1000L	
1500 Lumens	1500L	
2000 Lumens	2000L	
2500 Lumens	2500L	
3000 Lumens	3000L	
<b>Color Temperature</b>		
2700K	27K	
3000K	30K	
3500K	35K	
4000K	40K	
<b>Optic</b>		<b>DN</b>
Downlight	DN	
<b>Color</b>		
Clear Diffuse	CD	
Warm Diffuse	WD	
<b>Flange Finish</b>		
Non-Painted	NP	
White Painted	WP	

A complete unit consists of two line items, housing and trim  
Example: FLC4D-RO-1500L-120-LD1-T | LC4-RD-1500L-35K-DN-CD-NP

\*For more information visit focalpointlights.com/reference or consult factory. \*\*1500 and 2000 lumen outputs add 2 watts to system wattage.

# id<sup>+</sup> 4.5"

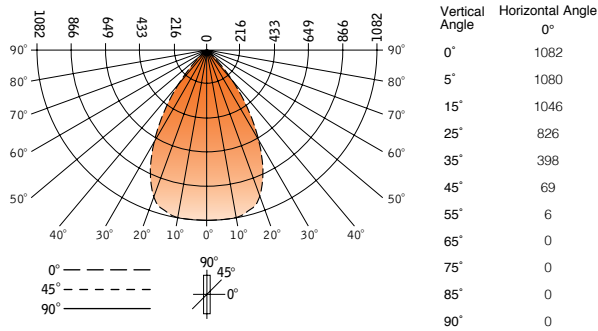
LED DOWNLIGHT

## FLC4D-RO-1000L-120-L11-T / LC4-RO-1000L-35K/40K-DN-CD-NP

Filename: FLC4DRO1000L\_35K\_40K\_DNCD.IES  
Test #: 1100914

Lumens: 1082lm  
System Watts: 13W  
LPW: 83

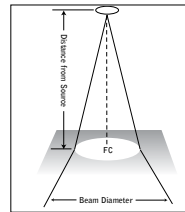
### CANDELPower DISTRIBUTION



### LUMEN SUMMARY

Zone	Lumens	% Fixture
0-30°	768	71.0
0-40°	1014	93.7
0-60°	1081	99.9
0-90°	1082	100.0
<b>Total Luminaire</b>	<b>0-180°</b>	<b>1082</b>

### FOOTCANDLE VALUES



0° aiming angle - horizontal surface

Distance from source	Beam Diameter	Center Beam (FC)
4'	5.0'	68
6'	7.5'	30
8'	10.0'	17
10'	12.5'	11

Footcandle results based on AGI32; Reflectances=0/0/0; LLF=1

Go to [www.focalpointlights.com](http://www.focalpointlights.com) for additional photometric data.

# id<sup>+</sup> 4.5"

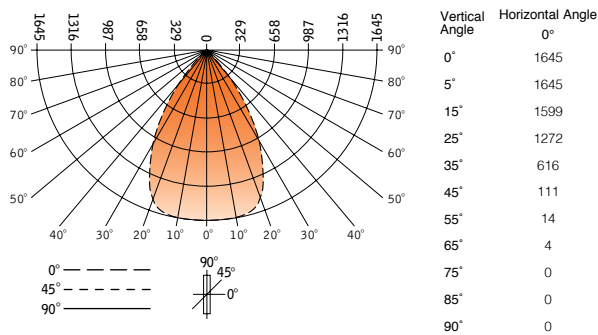
LED DOWNLIGHT

## FLC4D-RO-1500L-120-L11-T / LC4-RO-1500L-35K/40K-DN-CD-NP

Filename: FLC4DRO1500L\_35K\_40K\_DNCD.IES  
Test #: 1100916

Lumens: 1676lm  
System Watts: 21W  
LPW: 80

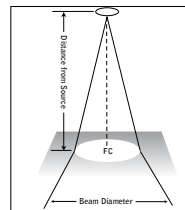
### CANDELPower DISTRIBUTION



### LUMEN SUMMARY

Zone	Lumens	% Fixture
0-30°	1178	70.3
0-40°	1559	93.0
0-60°	1671	99.7
0-90°	1676	100.0
<b>Total Luminaire</b>	<b>0-180°</b>	<b>1676</b>

### FOOTCANDLE VALUES



0° aiming angle - horizontal surface

Distance from source	Beam Diameter	Center Beam (FC)
4'	5.0'	103
6'	7.5'	46
8'	10.0'	26
10'	12.5'	16

Footcandle results based on AGI32; Reflectances=0/0/0; LLF=1

Go to [www.focalpointlights.com](http://www.focalpointlights.com) for additional photometric data.

# id<sup>+</sup> 4.5"

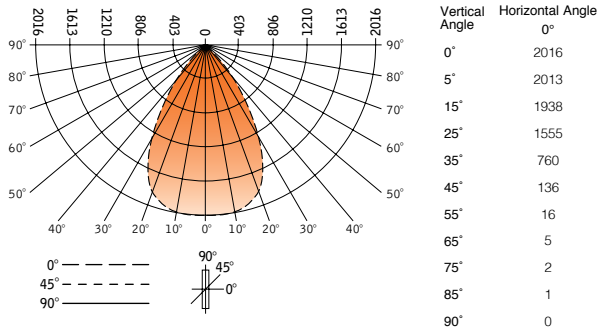
LED DOWNLIGHT

## FLC4D-RO-2000L-120-L11-T / LC4-RO-2000L-35K/40K-DN-CD-NP

Filename: FLC4DRO2000L\_35K\_40K\_DNCD.IES  
Test #: 1117165

Lumens: 2050  
System Watts: 27W  
LPW: 76

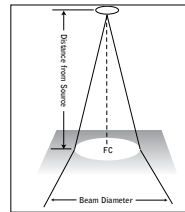
### CANDELPower DISTRIBUTION



### LUMEN SUMMARY

Zone	Lumens	% Fixture	
0-30°	1436	70.1	
0-40°	1907	93.0	
0-60°	2042	99.6	
0-90°	2050	100.0	
<b>Total Luminaire</b>	<b>0-180°</b>	<b>2050</b>	<b>100.0</b>

### FOOTCANDLE VALUES



0° aiming angle - horizontal surface

Distance from source	Beam Diameter	Center Beam (FC)
4'	5.0'	126
6'	7.5'	56
8'	10.0'	31
10'	12.5'	20

Footcandle results based on AGI32; Reflectances=0/0/0; LLF=1

Go to [www.focalpointlights.com](http://www.focalpointlights.com) for additional photometric data.

# id<sup>+</sup> 4.5"

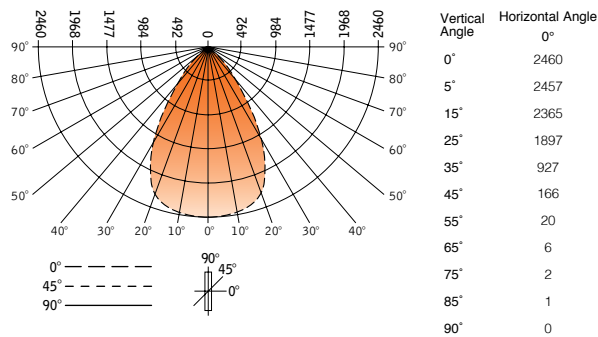
LED DOWNLIGHT

## FLC4D-RO-2500L-120-L11-T / LC4-RO-2500L-35K/40K-DN-CD-NP

Filename: FLC4DRO2500L\_35K\_40K\_DNCD.IES  
Test #: 1117163

Lumens: 2502  
System Watts: 36W  
LPW: 70

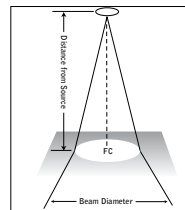
### CANDELPower DISTRIBUTION



### LUMEN SUMMARY

Zone	Lumens	% Fixture	
0-30°	1753	70.1	
0-40°	2326	93.0	
0-60°	2492	99.6	
0-90°	2502	100.0	
<b>Total Luminaire</b>	<b>0-180°</b>	<b>2502</b>	<b>100.0</b>

### FOOTCANDLE VALUES



0° aiming angle - horizontal surface

Distance from source	Beam Diameter	Center Beam (FC)
4'	5.0'	154
6'	7.5'	68
8'	10.0'	38
10'	12.5'	25

Footcandle results based on AGI32; Reflectances=0/0/0; LLF=1

Go to [www.focalpointlights.com](http://www.focalpointlights.com) for additional photometric data.

# id+ 4.5"

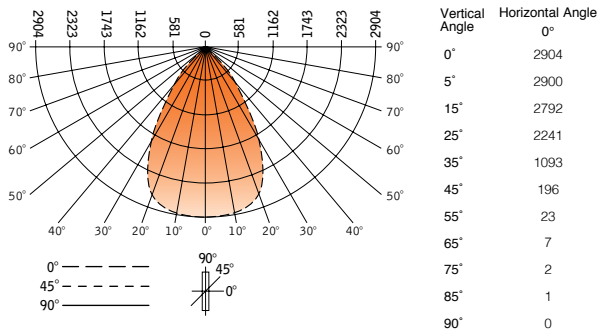
LED DOWNLIGHT

## FLC4D-RO-3000L-120-L11-T / LC4-RO-3000L-35K/40K-DN-CD-NP

Filename: FLC4RDO3000L\_35K\_40K\_DNCD.IES  
 Test #: 1117164

Lumens: 2953  
 System Watts: 45W  
 LPW: 66

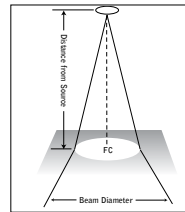
### CANDELPower DISTRIBUTION



### LUMEN SUMMARY

Zone	Lumens	% Fixture
0-30°	2070	70.1
0-40°	2746	93.0
0-60°	2942	99.6
0-90°	2953	100.0
<b>Total Luminaire</b> 0-180°	<b>2953</b>	<b>100.0</b>

### FOOTCANDLE VALUES



0° aiming angle - horizontal surface

Distance from source	Beam Diameter	Center Beam (FC)
4'	5.0'	182
6'	7.5'	81
8'	10.0'	45
10'	12.5'	29

Footcandle results based on AGI32; Reflectances=0/0/0; LLF=1

Go to [www.focalpointlights.com](http://www.focalpointlights.com) for additional photometric data.