



R

REJUVENATION  
CONTRACT

L I G H T I N G



## **THE DIFFERENCE IS IN THE DETAILS**

Since 1977, Rejuvenation has been designing and crafting custom-made lighting and hardware in Portland, Oregon, for key locations across America—from boutique and branded hotels to historic preservation sites and universities to high-profile restaurants, resorts, and luxury retailers. Our products are based on the best pieces of the past, designed for today, and made to last for years to come. With over 35 years of experience as a trusted resource, we pride ourselves on the thoughtful design of quality products and our solid partnerships with true American craftspeople.

This Architectural & Design Reference Guide has been curated for your library. It is representative of our over 5,000 custom or ready-to-ship lighting combinations.

# GLOSSARY

**ART GLASS:** Hand-rolled, translucent layers of molten colored glass. Art glass shades cast an incomparable warm and intimate glow, as seen in lantern-style lighting and in handmade Tiffany-style shades.

**CANOPY:** The part of a fixture that mounts to the ceiling or wall, covering the junction box to which the fixture attaches.

**CHANDELIER:** A broad term for a hanging ceiling fixture that typically possesses multiple arms or lights.

**FITTER:** The diameter of the area where the shade attaches to the fixture. Common fitter sizes are 2-1/4", 3-1/4", 4", and 6". The actual dimensions of both the flared "lip" of the shade and the shade holder of the fixture typically measure less or greater than these dimensions.

**FIXTURE:** The lighting unit composed of the finished housing and wiring that attaches to the junction box, serving as the light source. The exterior is finished as ordered, and paired with your choice of shade.

**FLUSH MOUNT:** A fixture that is close to the ceiling or wall and does not have rods or arms leading to the sockets.

**GU-24:** A unique socket that only accepts energy efficient bulbs with a two-pronged GU-24 base. This ensures energy efficient lamp usage and conforms to certain building regulations regarding energy efficient fixtures such as California's Title 24.

**LED:** The latest energy-efficient light source. Light-emitting diodes require less wattage to produce more lumens with a longer life span than equivalent incandescent or compact fluorescents. A selection of our fixtures are built with an integrated and replaceable LED engine.

**MEDIUM BASE:** Traditional threaded sockets come in a few sizes, the most common of which is the Medium (or E26) base. Incandescent, compact-fluorescent, LED, and reproduction bulb options are all available in medium base. Maximum wattage is determined by the design of the fixture.

**OPAL:** Translucent, glossy milk-white glass that produces an evenly diffused glow, which also helps mask the light source within the shade. Very popular and common with painted shades and schoolhouse-style shades.

**PENDANT:** A single pole, chain, or cord extending from the ceiling canopy.

**PLUG-IN:** A selection of our fixtures are designed to plug-in instead of being hardwired to a junction box, allowing for flexible installation and easy swagging.

**QUICK SHIP:** While the majority of our fixtures are built to order, a selection of our most popular fixture and shade combinations are stocked and ship from our factory in Portland, Oregon in 2 days.

**SATIN ETCHED GLASS:** A clear shade finished by sand blasting or acid etching, resulting in a "foggy" appearance, reducing glare and softening light while keeping the shape of the light source visible.

**SCONCE:** Any light fixture mounted to the wall.

**SHADE:** The glass or metal component of the fixture that attaches to the fixture's fitter. The fitter size of a fixture determines which shades are compatible. Barring technical limitations, every shade is compatible with a fixture with a corresponding fitter size.

**UL RATING:** The rating assigned to the fixture by the Underwriters Laboratory, a third party certification organization. They independently test the fixture for safety, and determine its suitability for Dry, Damp, or Wet environments.

- **DAMP RATED:** A fixture UL approved for use in damp environments with some humidity, such as bathrooms and covered porches. Suitable for indoor and indirect outdoor installation.
- **DRY RATED:** A fixture UL approved for use in dry environments without humidity. Suitable for indoor installation only.
- **WET RATED:** A fixture UL approved for use in wet environments with direct contact to rain and snow. Suitable for indoor and outdoor installation.



## PROGRAM & ACCOUNT INFO

---

### WHAT DISCOUNTS ARE INCLUDED IN THE PROGRAM?

We are pleased to offer the following tiered discount levels:

- 20% off Rejuvenation lighting
- 10% off Rejuvenation bath, hardware, vintage, parts, and furnishings. Certain product restrictions apply.

\*Please note: Trade discount is not valid with any other offer, purchase of gift cards or promotional items, gift wrap, shipping and processing fees, taxes or for any products or services excluded by program Terms & Conditions. We reserve the right to change the list of items not eligible for the trade discount at our sole discretion without prior notice to members. Any such changes will be disclosed in the Terms & Conditions.

### HOW LONG IS MY MEMBERSHIP VALID?

Standard membership to the Rejuvenation, Inc. To The Trade is valid for 2 years. After 2 years, registered members must renew their membership to receive a new membership ID card.

### HOW DO I UPDATE MY ACCOUNT?

To update your contact information, please call 888-401-1900 and speak to a Trade Representative or email [tradesales@rejuvenation.com](mailto:tradesales@rejuvenation.com)

## ORDERING & PRICING

---

### HOW DO I PLACE AN ORDER OR RECEIVE A QUOTE?

You can receive a quote to purchase via [tradesales@rejuvenation.com](mailto:tradesales@rejuvenation.com) or at any of our retail locations. Please do not include your credit card number in the body of your email.

Orders may take up to 24 to 48 hours to process and quotes may take up to 3 to 5 business days.

You can purchase online via [WSItothetrade.com/shop](http://WSItothetrade.com/shop) or directly at [Rejuvenation.com](http://Rejuvenation.com). Order and quote requests can be faxed to 503-230-0537 or emailed to [Tradesales@Rejuvenation.com](mailto:Tradesales@Rejuvenation.com). Please do not include your credit card number in the body of your email.

### HOW DO I PAY FOR MY ORDER?

For your convenience, we accept Visa, MasterCard, American Express, Discover Card, wire transfers, or company checks. If you wish to pay by company check, we can provide you with a pro forma invoice.

### DO YOU CHARGE TAX?

Sales tax (including applicable local taxes) applies to all states except for the following: Alaska (AK), Delaware (DE), Montana (MT), New Hampshire (NH) and Oregon (OR). If you have a reseller's license and wish to be exempt from sales tax at our store locations, please present a copy of your Tax Exempt Certificate at the time of purchase. If you wish to receive tax exemption for online or fax orders, you will need to submit to us a signed Resale Certificate or Permit for each state in which you seek exemption.

### HOW WILL I KNOW THAT I RECEIVED MY TRADE DISCOUNT?

The price reflected in your Order Confirmation is net of the trade discount. Rejuvenation Trade orders will see the discount in the Order Summary.



## SHIPPING & TRACKING

---

### HOW LONG WILL IT TAKE TO RECEIVE MY ORDER?

Shipping time differs by product and delivery method. For the most accurate shipping information, call a dedicated Trade Representative at 888-401-1900 for Rejuvenation orders. You can also refer to each brand's catalog or inquire with a Design Associate at one of our retail locations. Each brand's shipping information is also presented on their website.

### HOW DO I TRACK MY ORDER?

Your order becomes available for tracking online 24 hours after it is placed. To learn the status of your order, please visit the [rejuvenation.com](http://rejuvenation.com). You can also call a dedicated Trade Representative at 888-401-1900 for Rejuvenation orders.

### CAN YOU PROCESS SPECIAL SHIPPING REQUESTS?

If you have any special shipping requirements, please call a dedicated Trade representative for Rejuvenation orders, at 888-401-1900 or email [Tradesales@rejuvenation.com](mailto:Tradesales@rejuvenation.com) prior to placing your order.

## OTHER QUESTIONS

---

### DO YOU OFFER FINISH CHIPS AND GLASS CHOICES FOR REJUVENATION PRODUCTS?

Yes, we offer a trade kit, complete with finish chips, art glass options, and cord options. To receive a Rejuvenation trade kit, please call 888-401-1900 or email [Tradesales@Rejuvenation.com](mailto:Tradesales@Rejuvenation.com).

### HOW DO I REMOVE MY NAME FROM YOUR MAILING LIST?

To cancel Rejuvenation mailings, please call 888-401-1900 or email [Tradesales@Rejuvenation.com](mailto:Tradesales@Rejuvenation.com).

### DOES WILLIAMS-SONOMA, INC. AND ITS BRANDS OFFER COMMERCIALY-GRADED PRODUCTS?

Our retail furniture is tested to residential standards. Most lighting fixtures are UL listed. Please contact our Hospitality Sales Team to inquire about custom or commercially-graded product.



# WARRANTY INFORMATION

## WHAT OUR WARRANTY COVERS

---

Rejuvenation's limited warranty covers defects in materials and workmanship in selected products that are sold to Rejuvenation customers.

This warranty lasts for a period of two (2) years after the receipt of products from Rejuvenation

Rejuvenation will repair or replace, at its option, the defective products.

## WHAT OUR WARRANTY DOES NOT COVER

---

- Vintage or salvage goods, which are sold as is.
- Consumable goods, such as (but not limited to) light bulbs, candles, paint strippers, finish restorers and the like.
- Damage to light fixtures or shades caused by the improper use of light bulbs (details above).
- Changes in the look of unlacquered brass and oil-rubbed bronze finishes.
- Damage to finishes caused by improper cleaning, maintenance, or exposure to weather or other corrosive elements.
- Fading, pilling and shrinkage of fabric, or damage to fabrics caused by after-market stain repellants and cleaning products.
- Natural variations in texture and color of upholstery.
- Normal wear and tear, as well as weather-related damage.
- Incidental or consequential damages. Some states do not allow the exclusion or limitation of incidental or consequential damages, so this limitation may not apply to you.
- Cost of removal and re-installation.

If you have a product that falls within the warranty terms outlined above, please contact us:

- **by phone:** 888-401-1900
- **by email:** [warranty@rejuvenation.com](mailto:warranty@rejuvenation.com)
- **by mail:** Warranty Service Rejuvenation Inc. 2550 N.W. Nicolai Street Portland, Oregon 97210
- **by fax:** 503-525-7329
- **in person:** at our retail stores.

We will discuss the nature of the problem with you and determine the best course of action. If we ask you to return the product to us for inspection, we will contact you within ten (10) working days of receiving the product with an evaluation of your claim, and intended remedies.

## OTHER COVERAGE

---

This warranty gives you specific legal rights, and you may also have other rights that vary from state to state.

If a Rejuvenation vendor provides warranty coverage beyond the above, Rejuvenation will facilitate warranty service under the vendor's terms and conditions.



# RETURNS & EXCHANGES

At Rejuvenation, we take great pride in the quality and craftsmanship of our products. Attention to design, finish, and materials is our priority.

- We only accept cancellations within 24 hours of order placement.
- Please inspect your purchase immediately and notify us of any damaged, incomplete, or inaccurate shipments. Please call us at 888-401-1900.

Rejuvenation cannot accept returns or offer a refund on exchange on any of the following items:

- Lighting fixtures customized in any way, such as length or finish
- Restored antique lighting, vintage or salvage items
- Plumbing, sinks or bath tubs
- Medicine cabinets
- Drapery and café rods
- Special order furniture
- Clearance items

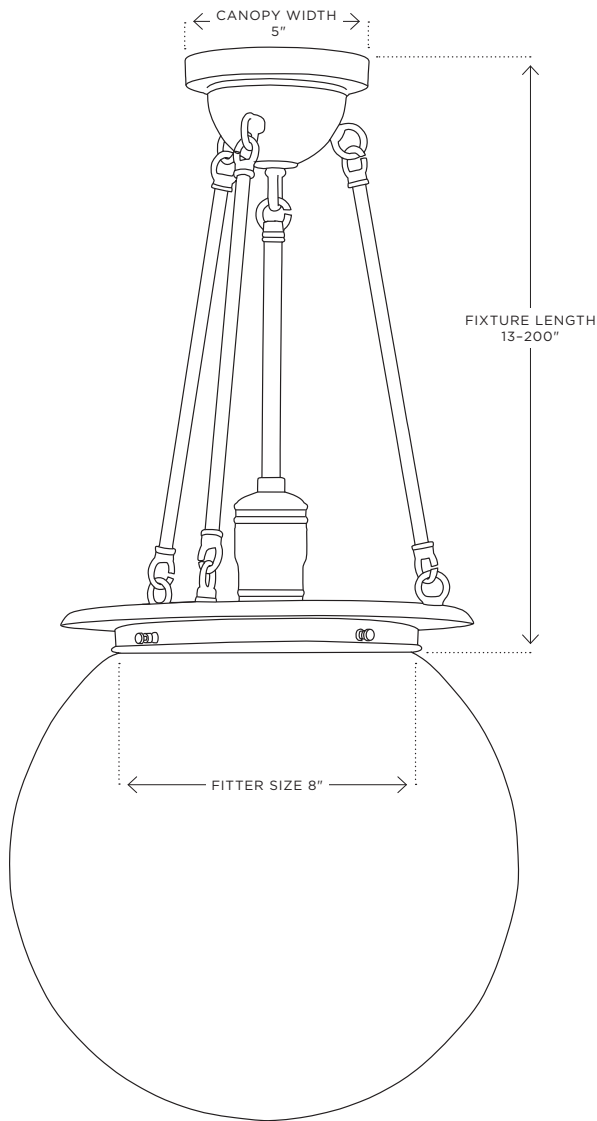
For assistance, please call **888-401-1900**, live chat at **rejuvenation.com**, or email **customerservice@rejuvenation.com**.



# HOOD

## CLASSIC GLOBE PENDANT

AVAILABLE FITTER SIZE: 8" Fitter A1445



## DETAILS

**UL RATING:** Damp

**NUMBER OF SOCKETS:** 1

**MAX WATTAGE:** 300W

**AVAILABLE SOCKET TYPES:** Medium Base or GU24

**NUMBER OF AVAILABLE COMBINATIONS:** 130+

**SHADE SHOWN:** B0485 - 14" Globe in Clear

**QUICK SHIP OPTION:** Yes

## FIXTURE FINISH



POLISHED CHROME



POLISHED NICKEL



BRUSHED NICKEL



UNLACQUERED BRASS



OLD BRASS



ANTIQUE COPPER



BURNISHED ANTIQUE



BLACK ENAMEL



OIL-RUBBED BRONZE

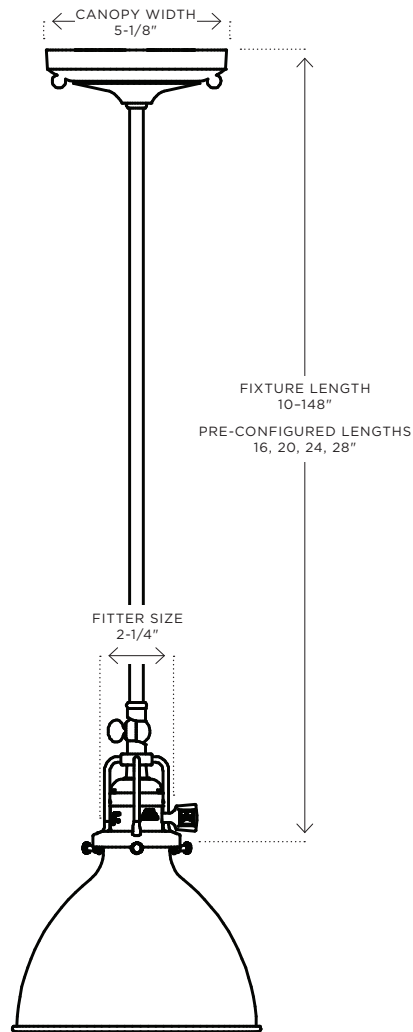




# GRANDVIEW

INDUSTRIAL 1-LIGHT ADJUSTABLE PENDANT

AVAILABLE FITTER SIZE: 2-1/4" Fitter A5632



## DETAILS

**UL RATING:** Dry

**NUMBER OF SOCKETS:** 1

**MAX WATTAGE:** 60W

**AVAILABLE SOCKET TYPES:** Medium Base

**NUMBER OF AVAILABLE COMBINATIONS:** 300+

**SHADE SHOWN:** B7755 - 7" Industrial Copper Dome

## FIXTURE FINISH



POLISHED CHROME



POLISHED NICKEL



BRUSHED NICKEL



UNLACQUERED BRASS



OLD BRASS



ANTIQUE COPPER



BURNISHED ANTIQUE



BLACK ENAMEL



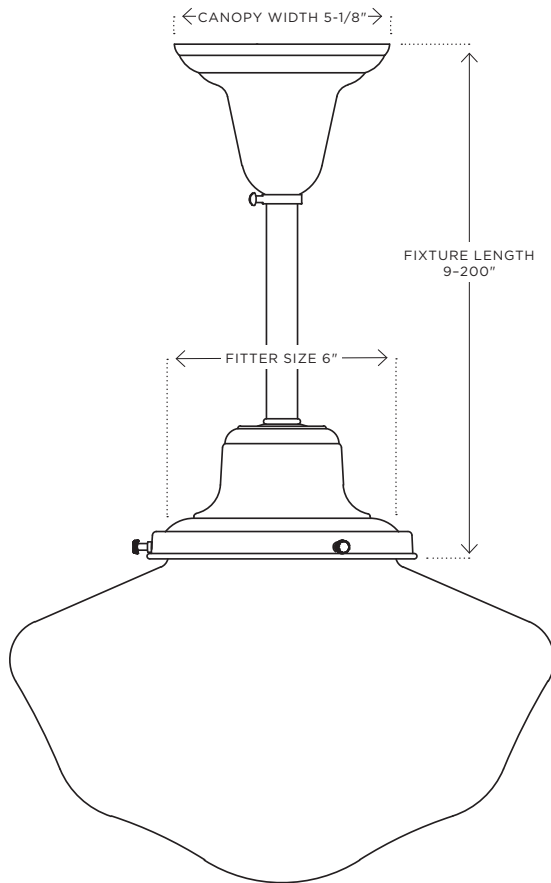
OIL-RUBBED BRONZE



# ROSE CITY 6"

## CLASSIC SCHOOLHOUSE PENDANT

**AVAILABLE FITTER SIZES:** 6" Fitter A7008 (shown), 2-1/4" Fitter A5959, 3-1/4" Fitter A7638, 4" Fitter A7008, 8" Fitter A7879



## DETAILS

**UL RATING:** Damp

**NUMBER OF SOCKETS:** 1

**MAX WATTAGE:** 300W

**AVAILABLE SOCKET TYPES:** Medium Base or GU24

**LED OPTION:** Available in 4" & 6" Fitter sizes

**NUMBER OF AVAILABLE COMBINATIONS:** 700+

**SHADE SHOWN:** B1815 - 15-3/4" Schoolhouse in Clear

**QUICK SHIP OPTION:** Yes

## FIXTURE FINISH



POLISHED CHROME



POLISHED NICKEL



BRUSHED NICKEL



LACQUERED BRASS



UNLACQUERED OLD BRASS



ANTIQUE COPPER



BURNISHED ANTIQUE



BLACK ENAMEL



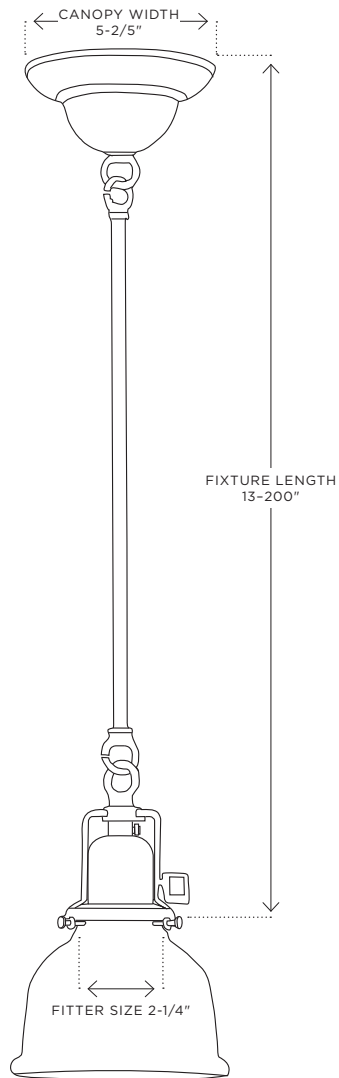
OIL-RUBBED BRONZE



# GEORGE

INDUSTRIAL SINGLE-POLE PENDANT

AVAILABLE FITTER SIZE: 2-1/4" Fitter A0950



## DETAILS

**UL RATING:** Dry

**NUMBER OF SOCKETS:** 1

**MAX WATTAGE:** 60W

**AVAILABLE SOCKET TYPES:** Medium Base

**NUMBER OF AVAILABLE COMBINATIONS:** 540+

**SHADE SHOWN:** B7215 - Painted Metal Dome in Gloss White

## FIXTURE FINISH



POLISHED CHROME



POLISHED NICKEL



BRUSHED NICKEL



UNLACQUERED BRASS



OLD BRASS



ANTIQUE COPPER



BURNISHED ANTIQUE



BLACK ENAMEL



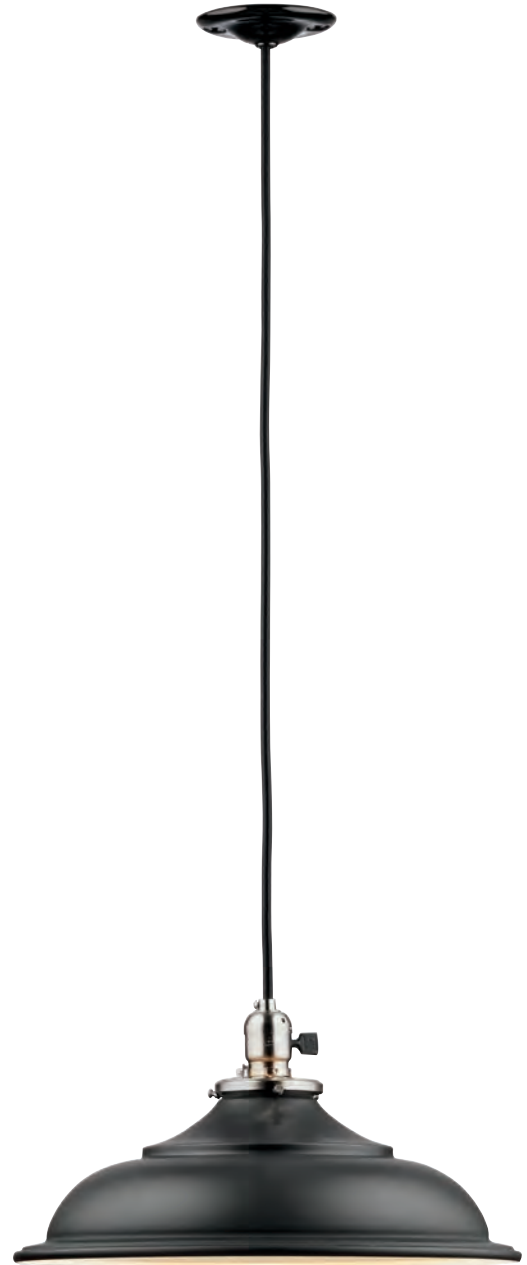
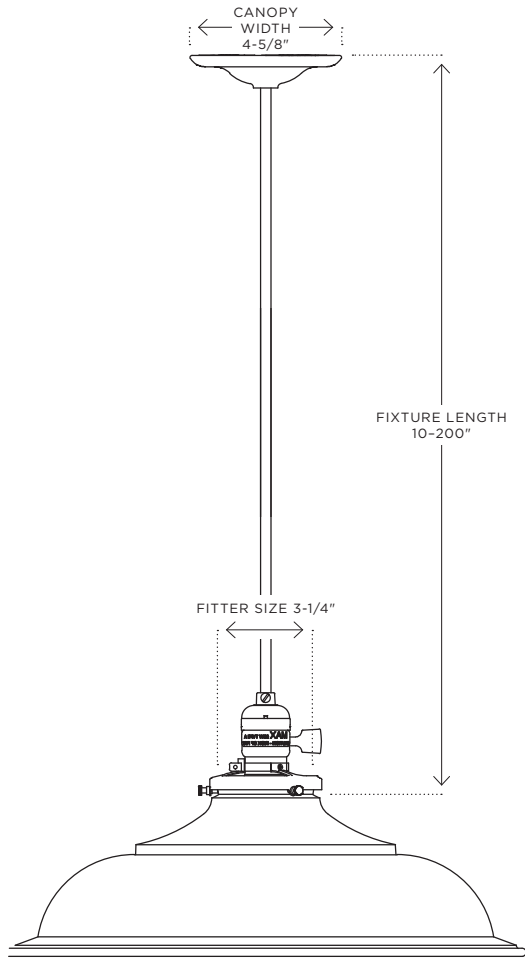
OIL-RUBBED BRONZE



# BALTIMORE

## CLASSIC CORD PENDANT

AVAILABLE FITTER SIZES: 3-1/4" Fitter A6626 (shown), 3-1/4" Fitter Plug-in A7310



## DETAILS

**UL RATING:** Dry

**NUMBER OF SOCKETS:** 1

**MAX WATTAGE:** 60W

**AVAILABLE SOCKET TYPES:** Medium Base

**PLUG-IN OPTION:** Yes

**NUMBER OF AVAILABLE COMBINATIONS:** 190+

**SHADE SHOWN:** B1976 - Large Brass Merchant in Oil-Rubbed Bronze

## CORD



BLACK



WHITE



COPPER

## CANOPY



BLACK PORCELAIN



WHITE PORCELAIN

## FIXTURE FINISH



POLISHED CHROME



POLISHED NICKEL



BRUSHED NICKEL



UNLACQUERED BRASS



OLD BRASS



ANTIQUE COPPER



BURNISHED ANTIQUE



BLACK ENAMEL



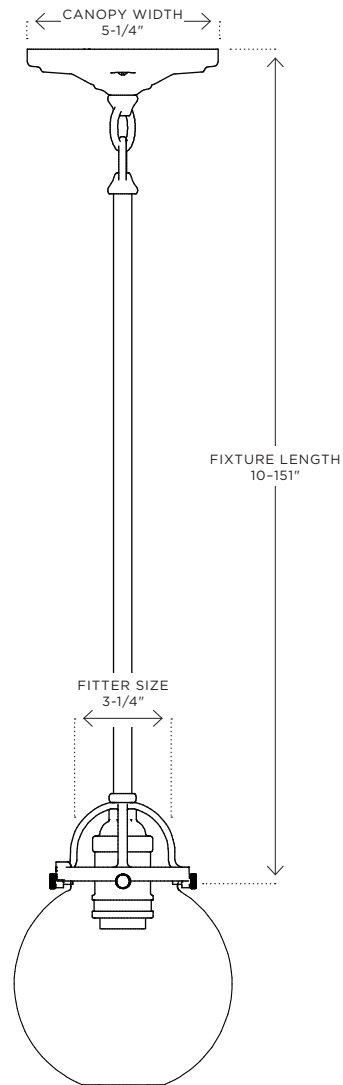
OIL-RUBBED BRONZE



# MIST

## CLASSIC ROD PENDANT

**AVAILABLE FITTER SIZES:** 3-1/4" Fitter Rod A2901 (shown), 3-1/4" Fitter Cord A2902



## DETAILS

**UL RATING:** Damp

**NUMBER OF SOCKETS:** 1

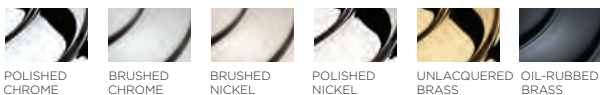
**MAX WATTAGE:** 60W

**AVAILABLE SOCKET TYPES:** Medium Base

**NUMBER OF AVAILABLE COMBINATIONS:** 16+

**SHADE SHOWN:** B0002 - 6" Globe in Clear

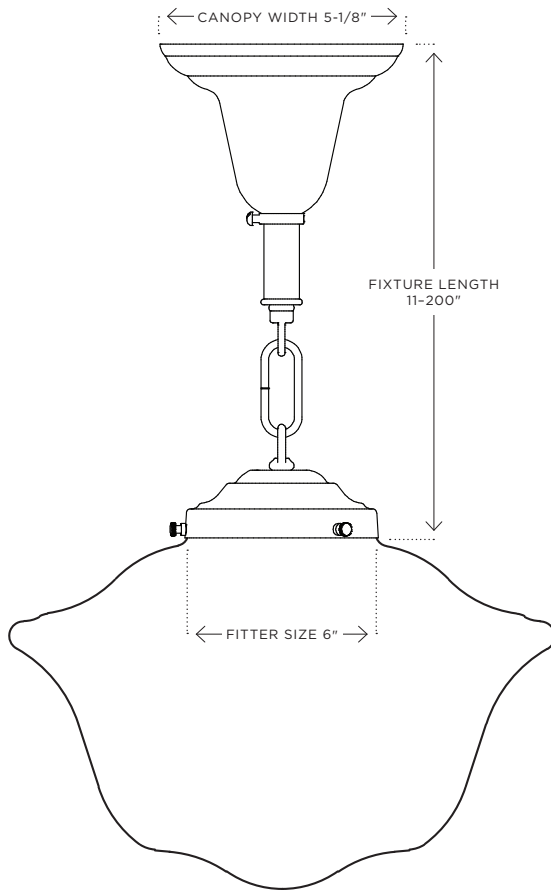
## FIXTURE FINISH



# BALDWIN

## CLASSIC SINGLE-CHAIN PENDANT

**AVAILABLE FITTER SIZES:** 6" Fitter A3167 (shown), 2-1/2" Fitter A1245, 3-1/4" Fitter A3671, 4" Fitter A6535, 8" Fitter A1061



## DETAILS

**UL RATING:** Damp

**NUMBER OF SOCKETS:** 1

**MAX WATTAGE:** 300W

**AVAILABLE SOCKET TYPES:** Medium Base or GU24

**LED OPTION:** Available in 4" & 6" Fitter sizes

**NUMBER OF AVAILABLE COMBINATIONS:** 500+

**SHADE SHOWN:** B5344 - 12" Flared Schoolhouse in Opal

**QUICK SHIP OPTION:** Yes

## FIXTURE FINISH



POLISHED CHROME



POLISHED NICKEL



BRUSHED NICKEL



LACQUERED BRASS



UNLACQUERED OLD BRASS



ANTIQUE COPPER



BURNISHED ANTIQUE



BLACK ENAMEL



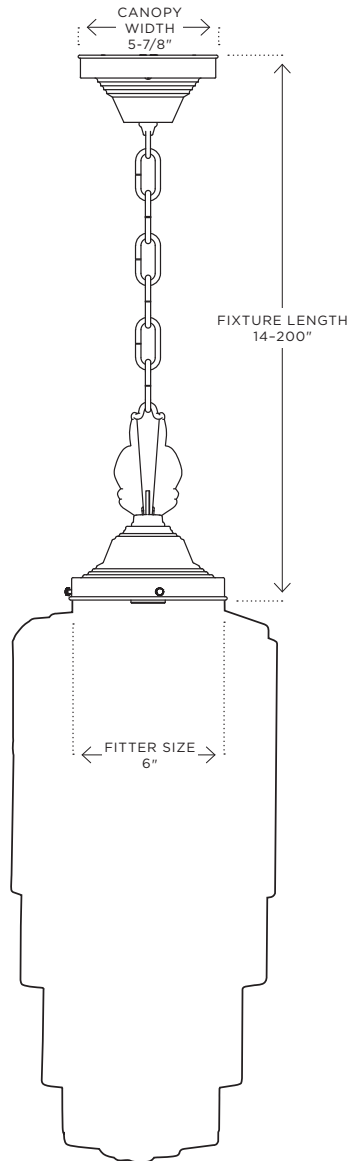
OIL-RUBBED BRONZE



# HOLLYWOOD

LARGE ART DECO PENDANT

AVAILABLE FITTER SIZE: 6" Fitter A8151



## DETAILS

**UL RATING:** Damp

**NUMBER OF SOCKETS:** 1

**MAX WATTAGE:** 300W

**AVAILABLE SOCKET TYPES:** Medium Base or GU24

**LED OPTION:** Available in 6" Fitter size

**NUMBER OF AVAILABLE COMBINATIONS:** 300+

**SHADE SHOWN:** B4388 - Art Deco 22" Long Floral in Opal

## FIXTURE FINISH



POLISHED CHROME



POLISHED NICKEL



BRUSHED NICKEL



LACQUERED BRASS



UNLACQUERED OLD BRASS



ANTIQUE COPPER



BURNISHED ANTIQUE



BLACK ENAMEL



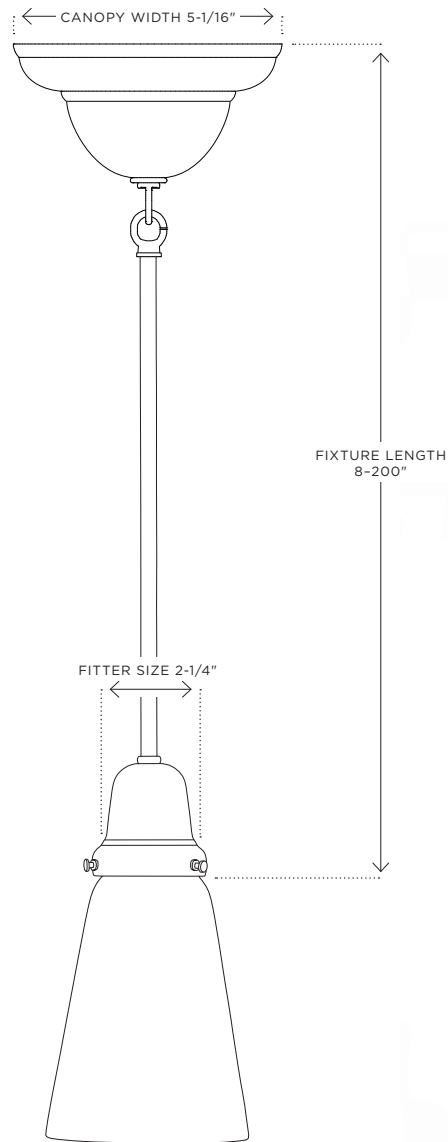
OIL-RUBBED BRONZE



# BRIGHTWOOD

CLASSIC SINGLE-POLE PENDANT

AVAILABLE FITTER SIZE: 2-1/4" Fitter A4865



## DETAILS

**UL RATING:** Damp

**NUMBER OF SOCKETS:** 1

**MAX WATTAGE:** 100W

**AVAILABLE SOCKET TYPES:** Medium Base or GU24

**NUMBER OF AVAILABLE COMBINATIONS:** 2,200+

**SHADE SHOWN:** B4815 - Narrow Cone in Clear

## FIXTURE FINISH



POLISHED  
CHROME



POLISHED  
NICKEL



BRUSHED  
NICKEL



UNLACQUERED  
BRASS



OLD BRASS



ANTIQUE  
COPPER



BURNISHED  
ANTIQUE



BLACK  
ENAMEL



OIL-RUBBED  
BRONZE

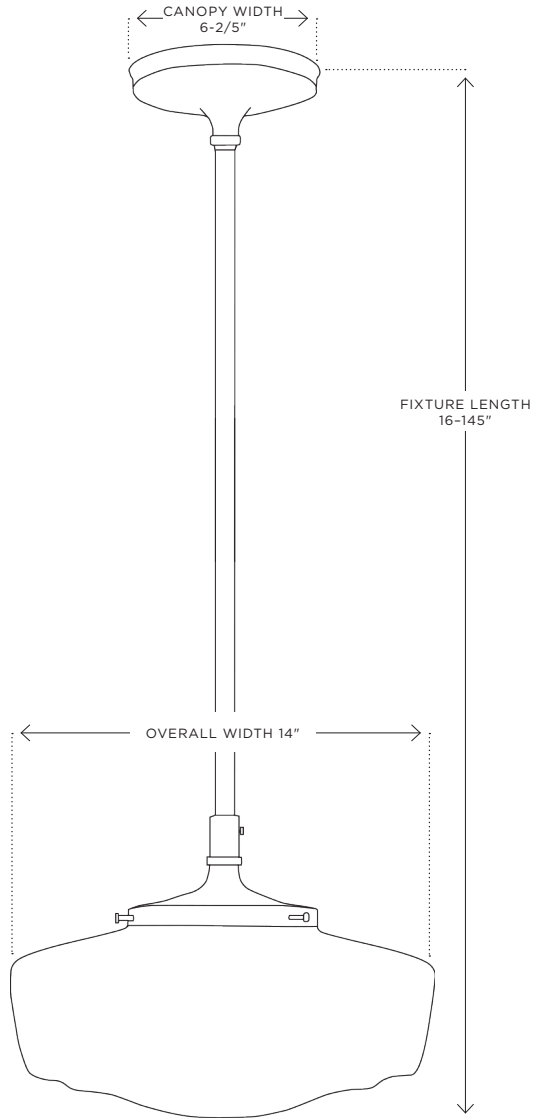




# EASTMORELAND

## AMERICAN CLASSIC PENDANT

AVAILABLE FITTER SIZES: 6" Fitter A6911 (shown),  
2-1/4" Fitter A6908, 4" Fitter A6910



## DETAILS

**UL LISTING:** Damp

**NUMBER OF SOCKETS:** 1

**MAX WATTAGE:** 150W

**AVAILABLE SOCKET TYPES:** Medium Base or GU24

**NUMBER OF AVAILABLE COMBINATIONS:** 700+

**SHADE SHOWN:** B0262 - 14" Eastmoreland in Clear

## FIXTURE FINISH



POLISHED  
CHROME



POLISHED  
NICKEL



BRUSHED  
NICKEL



LACQUERED  
POLISHED  
BRASS



UNLACQUERED OLD BRASS



ANTIQUE  
COPPER



BURNISHED  
ANTIQUE



BLACK  
ENAMEL



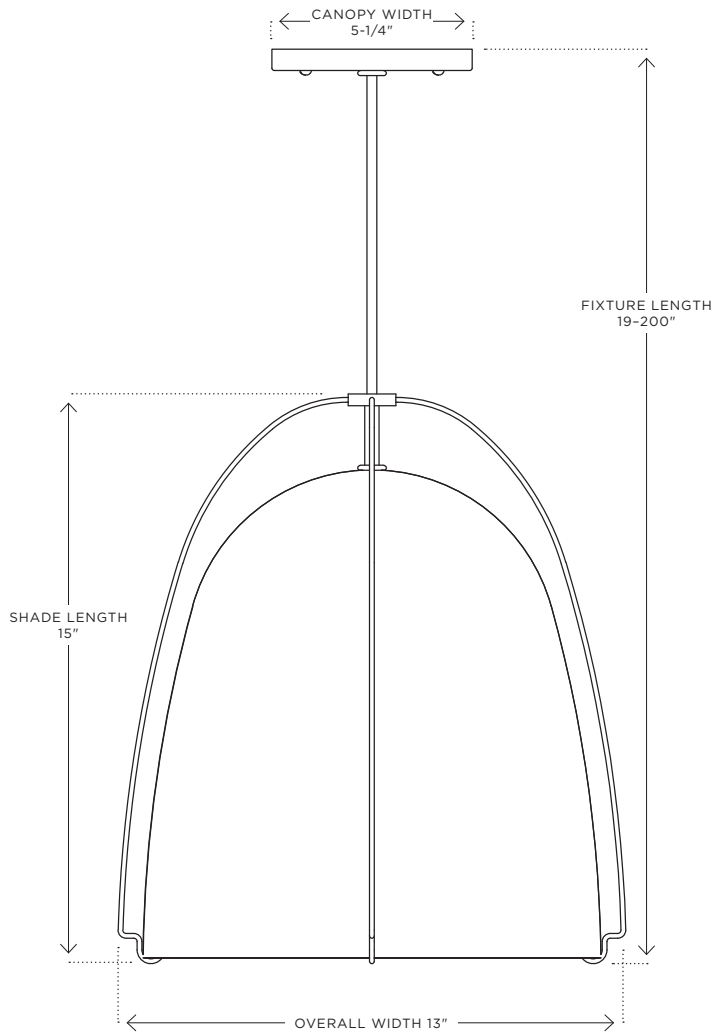
OIL-RUBBED  
BRONZE



# HALEIGH

## WIRE DOME PENDANT

AVAILABLE FITTER SIZES: 12"DIA A5908 (shown),  
8"DIA 15909



## DETAILS

**UL RATING:** Damp

**NUMBER OF SOCKETS:** 1

**MAX WATTAGE:** 150W

**AVAILABLE SOCKET TYPES:** Medium Base

**AVAILABLE FIXTURE FINISH:** Oil-Rubbed Bronze

## SHADE FINISH



POLISHED  
NICKEL



LACQUERED  
BRASS



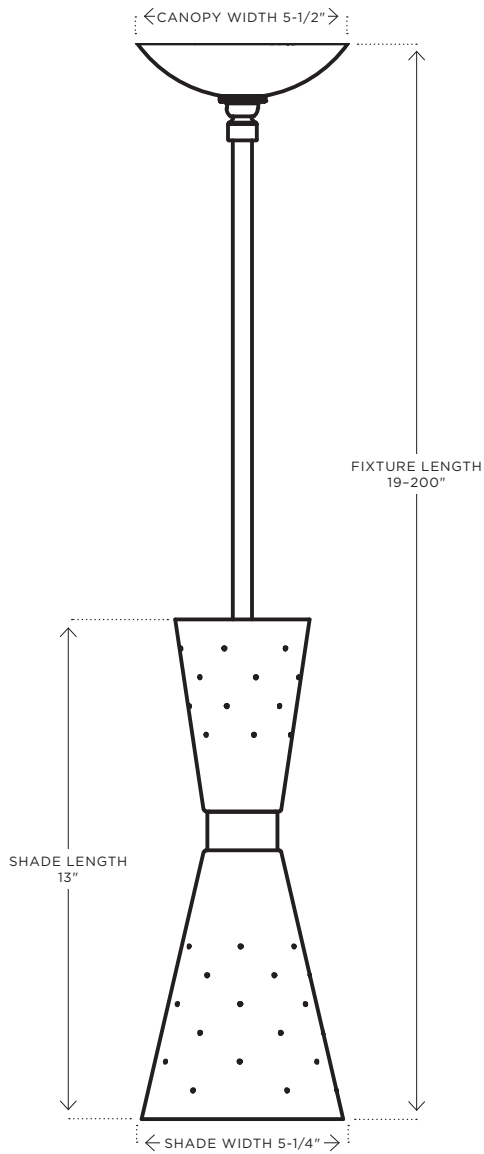
OIL-RUBBED  
BRONZE



# GALAXY

MID-CENTURY MODERN HOURGLASS PENDANT

AVAILABLE SIZE: 5-1/4" DIA A6660



## DETAILS

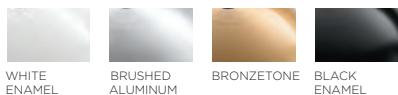
**UL RATING:** Damp

**NUMBER OF SOCKETS:** 1

**MAX WATTAGE:** 60W

**AVAILABLE SOCKET TYPES:** Medium Base or GU24

## FIXTURE FINISH



WHITE  
ENAMEL

BRUSHED  
ALUMINUM

BRONZESTONE

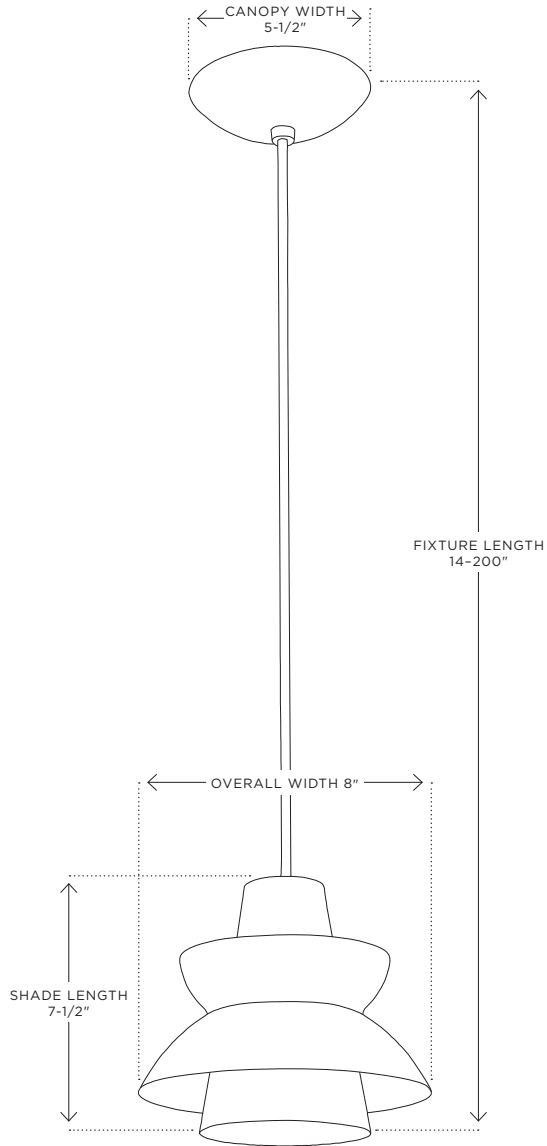
BLACK  
ENAMEL



# ASTRON

MID-CENTURY MODERN PENDANT

AVAILABLE SIZE: 8"DIA A2789



## DETAILS

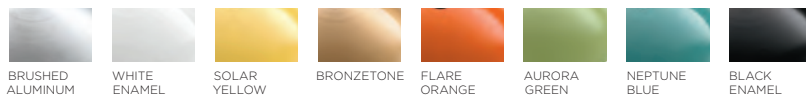
**UL RATING:** Damp

**NUMBER OF SOCKETS:** 1

**MAX WATTAGE:** 60W

**AVAILABLE SOCKET TYPES:** Medium Base

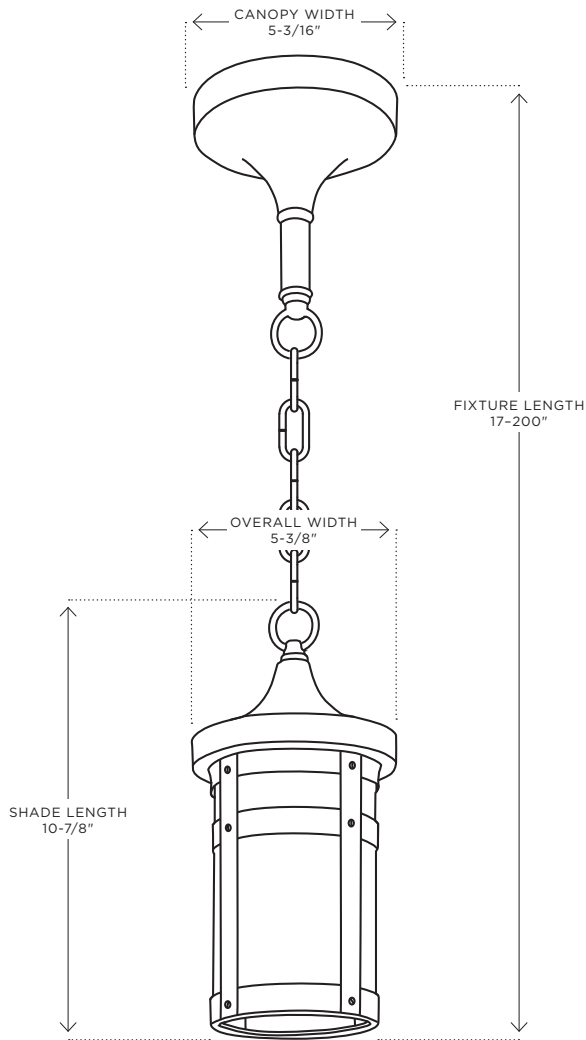
## FIXTURE FINISHES (INTERIOR & EXTERIOR)



# COLUMBIA

## ARTS & CRAFTS LANTERN PENDANT

**AVAILABLE SIZES:** Small 5-3/8" DIA A5068 (shown), Large 7-1/8" DIA A9990



## DETAILS

**UL RATING:** Damp

**NUMBER OF SOCKETS:** 1

**MAX WATTAGE:** 100W

**AVAILABLE SOCKET TYPES:** Medium Base

**NUMBER OF AVAILABLE COMBINATIONS:** 54+

## FIXTURE FINISH



POLISHED CHROME



POLISHED NICKEL



BRUSHED NICKEL



UNLACQUERED BRASS



OLD BRASS



ANTIQUED COPPER



BURNISHED ANTIQUE



BLACK ENAMEL



OIL-RUBBED BRONZE

## ART GLASS FINISH



PLAIN FROSTED



BROWN & CARAMEL



CARAMEL & WHITE



CREAM



GOLD & WHITE



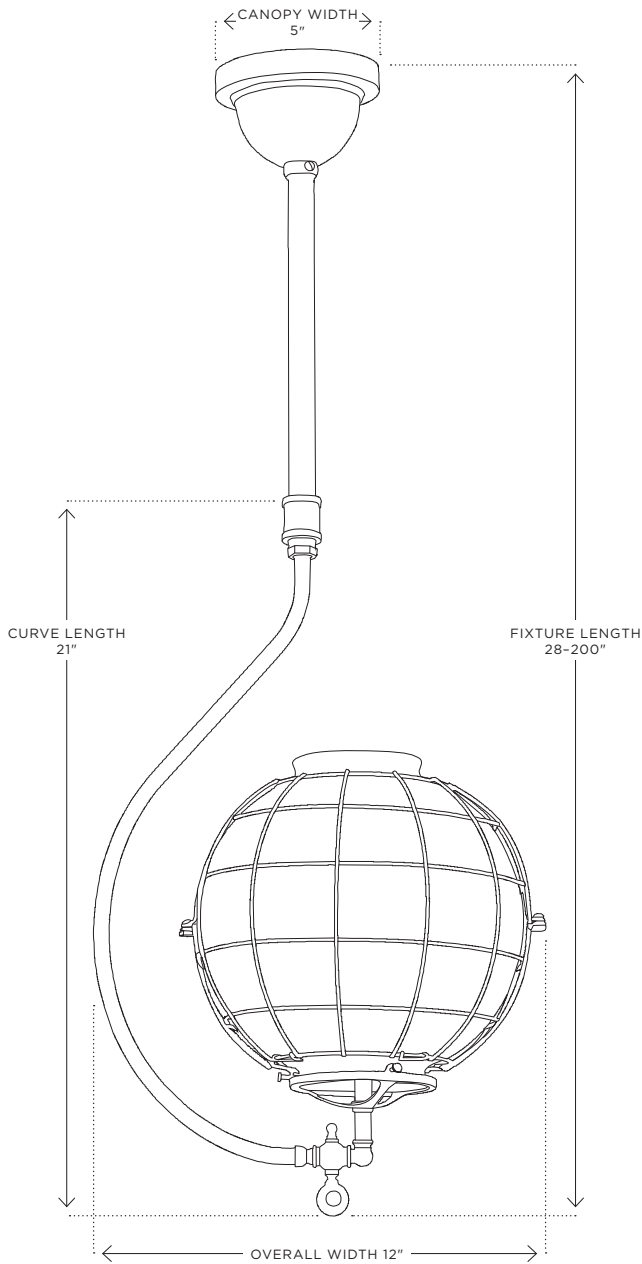
MICA (60W MAX)



# IRONSIDE

INDUSTRIAL GAS-STYLE PENDANT

AVAILABLE FITTER SIZE: 4" Fitter A2615



## DETAILS

**UL RATING:** Damp

**NUMBER OF SOCKETS:** 1

**MAX WATTAGE:** 150W

**AVAILABLE SOCKET TYPES:** Medium Base  
or GU24

**NUMBER OF AVAILABLE COMBINATIONS:** 8

**SHADE SHOWN:** B2650 - Industrial Glass Globe with  
Wire Cage in Etched

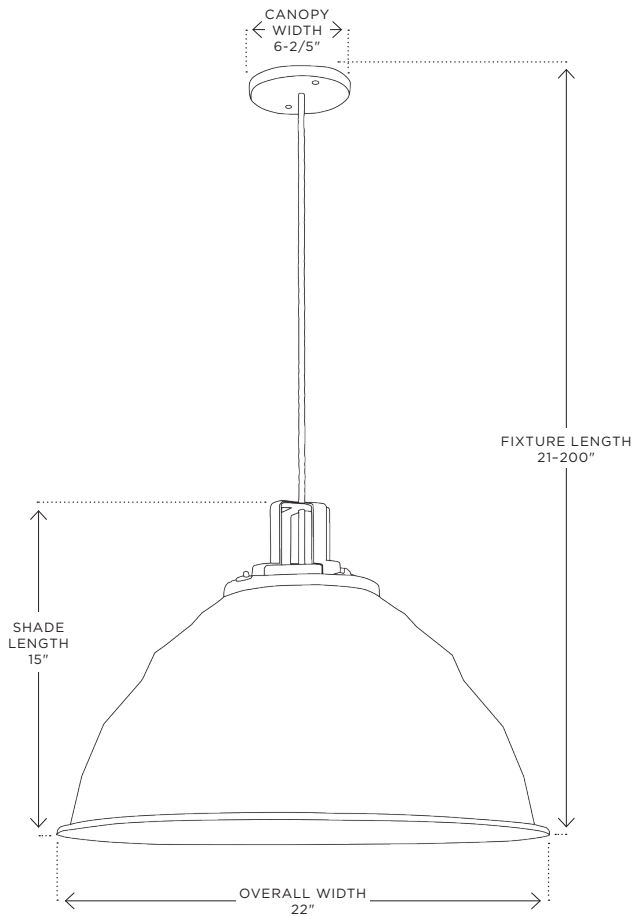
**AVAILABLE FIXTURE FINISH:** Graphite



# BUTTE FACETED DOME

DRAMATIC STATEMENT PENDANT

AVAILABLE SIZES: 22"DIA A0141 (shown), 17"DIA A0140



## DETAILS

**UL RATING:** Damp

**NUMBER OF SOCKETS:** 1

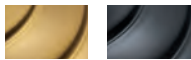
**MAX WATTAGE:** 150W

**AVAILABLE SOCKET TYPES:** Medium Base or GU24

**NUMBER OF AVAILABLE COMBINATIONS:** 32+

**SHADE SHOWN:** B0025 - Butte 22" Faceted Dome in Aluminum

## FIXTURE FINISH



AGED BRASS

OIL-RUBBED  
BRONZE

## SHADE FINISH



ALUMINUM

MATTE  
BLACK

MATTE  
GREY

MATTE  
WHITE

MATTE  
COBALT

MATTE  
BLUE

MATTE  
GREEN

MATTE  
RED

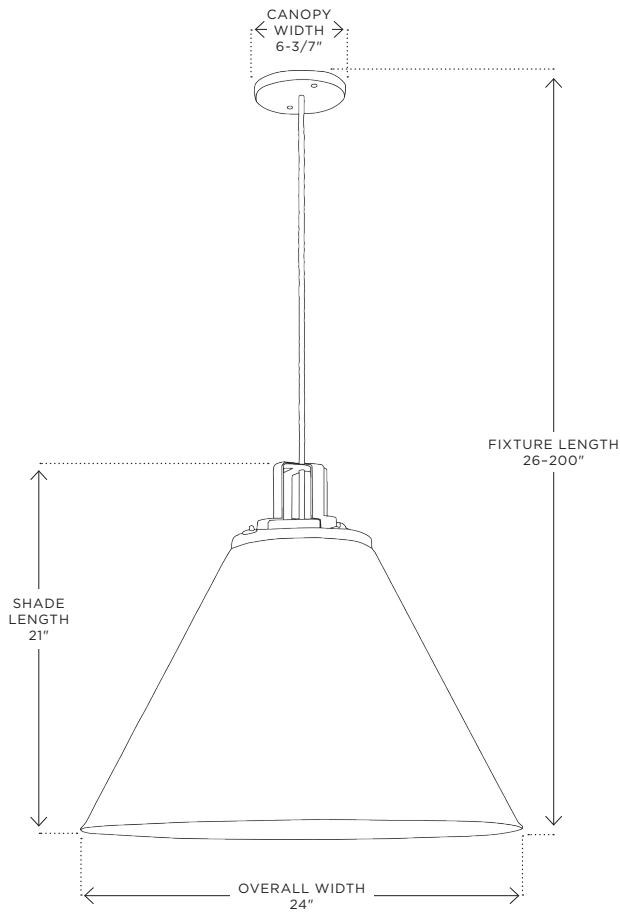


# BUTTE CONE

## DRAMATIC STATEMENT PENDANT

### AVAILABLE SIZES:

- A0164 - 24"DIA in Aged Brass (shown)
- A0158 - 24"DIA in Oil-Rubbed Bronze
- A0159 - 18"DIA in Aged Brass
- A0149 - 18"DIA in Oil-Rubbed Bronze



## DETAILS

**UL RATING:** Damp

**NUMBER OF SOCKETS:** 1

**MAX WATTAGE:** 150W

**AVAILABLE SOCKET TYPES:** Medium Base or GU24

**NUMBER OF AVAILABLE COMBINATIONS:** 28+

**SHADE SHOWN:** B0029 - Butte 24" Cone in Matte Red

## FIXTURE FINISH



AGED BRASS

OIL-RUBBED  
BRONZE

## SHADE FINISH



MATTE  
BLACK

MATTE  
GREY

MATTE  
WHITE

MATTE  
COBALT

MATTE  
BLUE

MATTE  
GREEN

MATTE  
RED



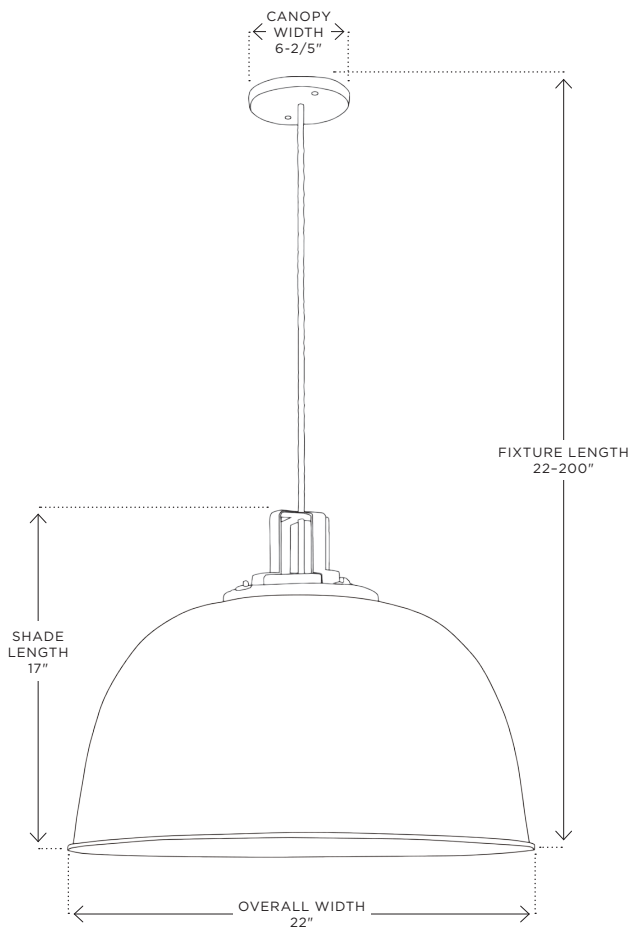


# BUTTE DOME

## DRAMATIC STATEMENT PENDANT

### AVAILABLE SIZES:

- A0148 - 22" DIA in Aged Brass (shown)
- A0146 - 22" DIA in Oil-Rubbed Bronze
- A0147 - 18" DIA in Aged Brass
- A0145 - 18" DIA in Oil-Rubbed Bronze



## DETAILS

**UL RATING:** Damp

**NUMBER OF SOCKETS:** 1

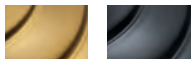
**MAX WATTAGE:** 150W

**AVAILABLE SOCKET TYPES:** Medium Base or GU24

**NUMBER OF AVAILABLE COMBINATIONS:** 28+

**SHADE SHOWN:** B0027 - Butte 22" Dome in Matte Grey

## FIXTURE FINISH



AGED BRASS

OIL-RUBBED BRONZE

## SHADE FINISH



MATTE BLACK

MATTE GREY

MATTE WHITE

MATTE COBALT

MATTE BLUE

MATTE GREEN

MATTE RED

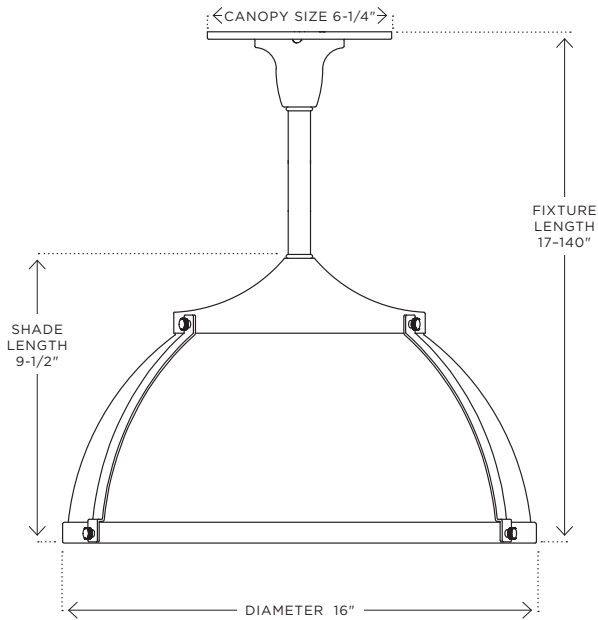


# LAURELHURST 16" METAL

CLASSIC PENDANT WITH 10 VARIATIONS

**AVAILABLE SIZES:**

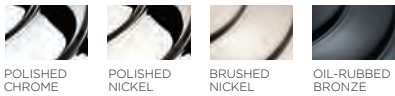
- A0046 - 16" with Metal Dome
- A0007 - 16" with Metal Dome & Glass Lens
- A0005 - 16" with Metal Dome & Prismatic Dome Interior (shown)



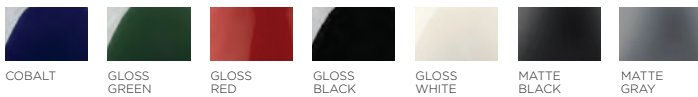
## DETAILS

- UL RATING:** Damp
- NUMBER OF SOCKETS:** 1
- MAX WATTAGE:** 300W
- AVAILABLE SOCKET TYPES:** Medium Base or GU24
- LED OPTION:** Available in all 16" configurations
- NUMBER OF AVAILABLE COMBINATIONS:** 80+
- CONFIGURATION SHOWN:** A0005 - Laurelhurst 16" with Metal Dome & Prismatic Dome Interior

## FIXTURE FINISH



## SHADE FINISH



## AVAILABLE CONFIGURATIONS



LAURELHURST 16"  
WITH METAL DOME  
A0046



LAURELHURST 16"  
WITH METAL DOME  
& GLASS LENS  
A0007



LAURELHURST 16"  
WITH METAL DOME  
& PRISMATIC DOME  
INTERIOR  
A0005



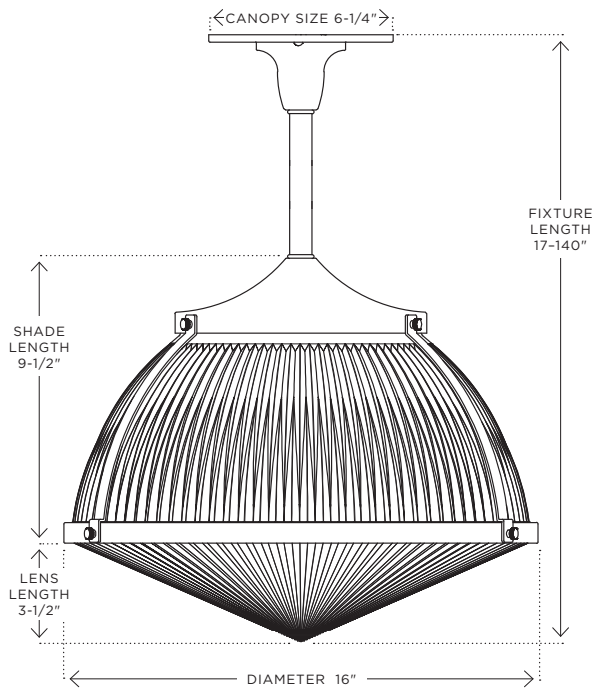
# LAURELHURST 16" PRISMATIC

CLASSIC PENDANT WITH 10 VARIATIONS

**AVAILABLE SIZES:**

A0042 - 16" with Prismatic Dome

A0013 - 16" with Prismatic Dome & Glass Lens (shown)



## DETAILS

**UL RATING:** Damp

**NUMBER OF SOCKETS:** 1

**MAX WATTAGE:** 300W

**AVAILABLE SOCKET TYPES:** Medium Base or GU24

**LED OPTION:** Available in all 16" configurations

**NUMBER OF AVAILABLE COMBINATIONS:** 8

**CONFIGURATION SHOWN:** A0013 - Laurelhurst 16" with Prismatic Dome & Glass Lens

## FIXTURE FINISH



POLISHED CHROME



POLISHED NICKEL



BRUSHED NICKEL



OIL-RUBBED BRONZE

## AVAILABLE CONFIGURATIONS



LAURELHURST 16" WITH PRISMATIC DOME  
A0042



LAURELHURST 16" WITH PRISMATIC DOME & GLASS LENS  
A0013

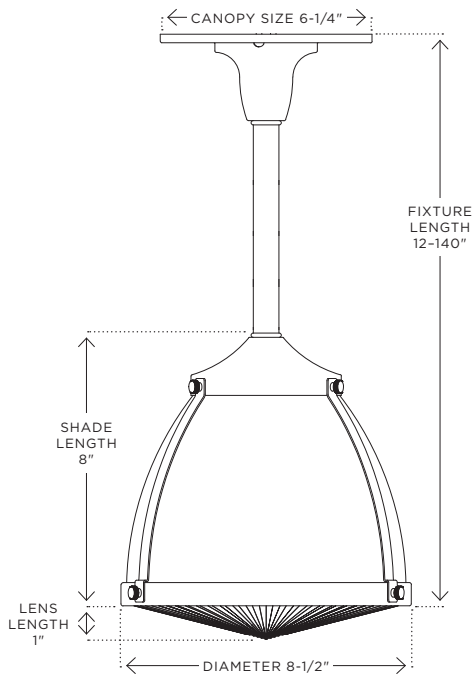


# LAURELHURST 8" METAL

CLASSIC PENDANT WITH 10 VARIATIONS

**AVAILABLE SIZES:**

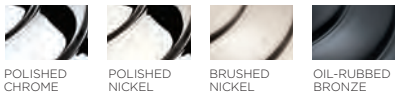
- A0048 - 8" with Metal Dome
- A0006 - 8" with Metal Dome & Glass Lens (shown)
- A0003 - 8" with Metal Dome & Prismatic Dome Interior



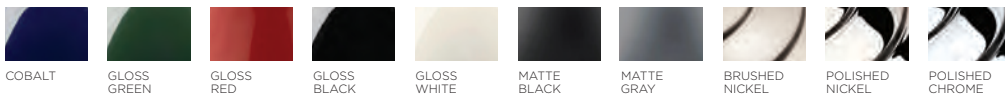
## DETAILS

- UL RATING:** Damp
- NUMBER OF SOCKETS:** 1
- MAX WATTAGE:** 300W
- AVAILABLE SOCKET TYPES:** Medium Base or GU24
- NUMBER OF AVAILABLE COMBINATIONS:** 120+
- CONFIGURATION SHOWN:** A0006 - Laurelhurst 8" with Metal Dome & Glass Lens

## FIXTURE FINISH



## SHADE FINISH



## AVAILABLE CONFIGURATIONS



LAURELHURST 8"  
WITH METAL DOME  
A0048



LAURELHURST 8"  
WITH METAL DOME  
& GLASS LENS  
A0006



LAURELHURST 8"  
WITH METAL DOME  
& PRISMATIC DOME  
INTERIOR  
A0003



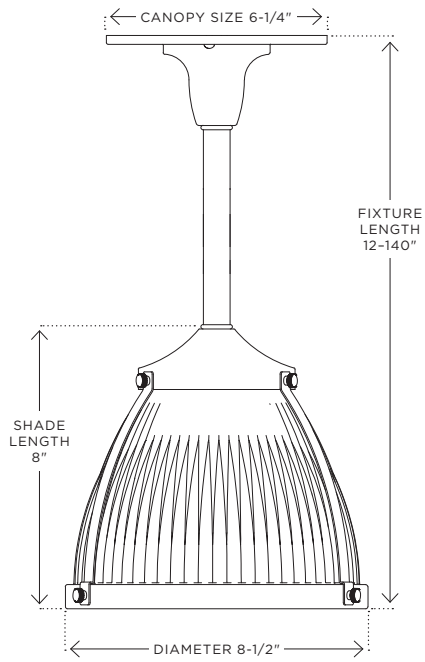
# LAURELHURST 8" PRISMATIC

CLASSIC PENDANT WITH 10 VARIATIONS

**AVAILABLE SIZES:**

A0047 - 8" with Prismatic Dome (shown)

A0011 - 8" with Prismatic Dome & Glass Lens



## DETAILS

**UL RATING:** Damp

**NUMBER OF SOCKETS:** 1

**MAX WATTAGE:** 300W

**AVAILABLE SOCKET TYPES:** Medium Base or GU24

**NUMBER OF AVAILABLE COMBINATIONS:** 8

**CONFIGURATION SHOWN:** A0013 - Laurelhurst 16"  
with Prismatic Dome & Glass Lens

## FIXTURE FINISH



POLISHED  
CHROME



POLISHED  
NICKEL



BRUSHED  
NICKEL



OIL-RUBBED  
BRONZE

## AVAILABLE CONFIGURATIONS



LAURELHURST 8"  
WITH PRISMATIC DOME  
A0047



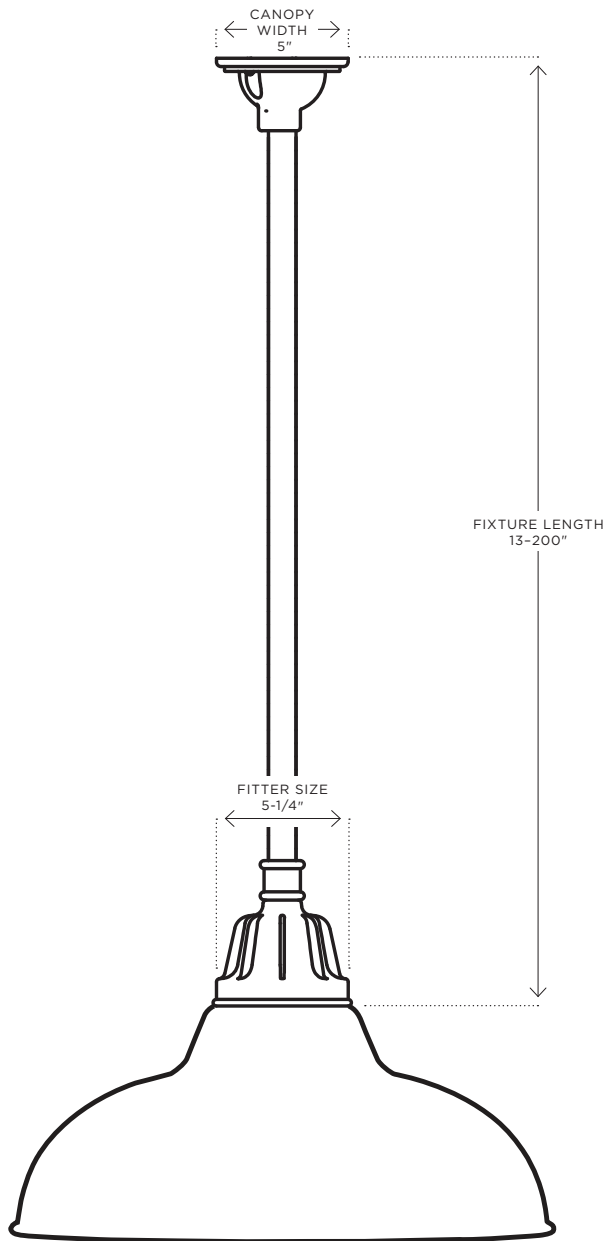
LAURELHURST 8"  
WITH PRISMATIC DOME  
& GLASS LENS  
A0011



# CARSON

## WAREHOUSE ROD FIXTURE

AVAILABLE FITTER SIZE: Special Fitter A8390



## DETAILS

**UL RATING:** Damp

**NUMBER OF SOCKETS:** 1

**MAX WATTAGE:** 300W

**AVAILABLE SOCKET TYPES:** Medium Base or GU24

**NUMBER OF AVAILABLE COMBINATIONS:** 42

**SHADE SHOWN:** B1700 - 16" Deep Dome Warehouse in Tomato

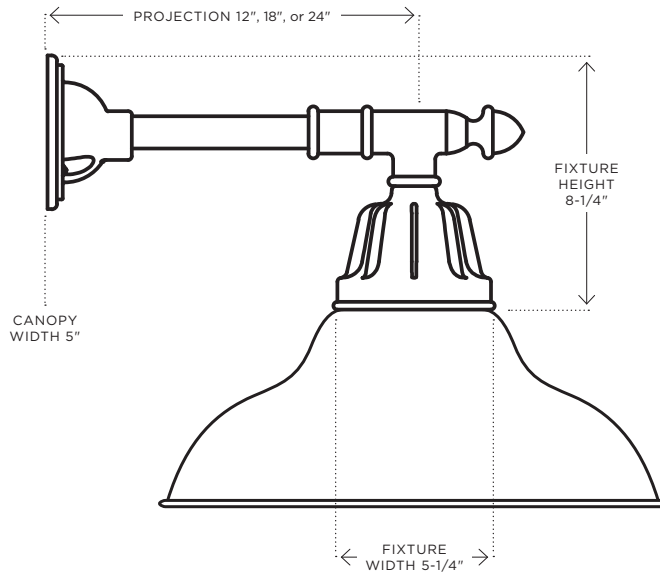
**AVAILABLE FIXTURE FINISH:** Carbon



# CARSON STRAIGHT ARM

WAREHOUSE WALL FIXTURE

AVAILABLE SIZES: A6562 - 12"PROJ, 18"PROJ, 24"PROJ



## DETAILS

**UL RATING:** Wet

**NUMBER OF SOCKETS:** 1

**MAX WATTAGE:** 300W

**AVAILABLE SOCKET TYPES:** Standard incandescent or GU24

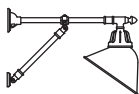
**NUMBER OF AVAILABLE COMBINATIONS:** 2,000+

**NUMBER OF ARM SUPPORT OPTIONS:** 5 available for 18" & 24" projection sizes

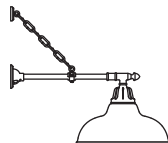
**SHADE SHOWN:** B1700 - 16" Deep Dome Warehouse in Tomato

**AVAILABLE FIXTURE FINISH:** Carbon

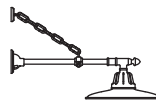
## ARM SUPPORT OPTIONS (18" & 24" PROJECTIONS ONLY)



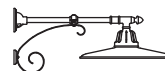
SINGLE ARM SUPPORT  
A0882



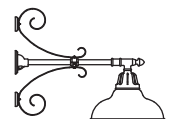
SINGLE CHAIN  
SUPPORT  
A1110



DOUBLE CHAIN  
SUPPORT  
A1201



SINGLE SCROLL  
SUPPORT  
A0009



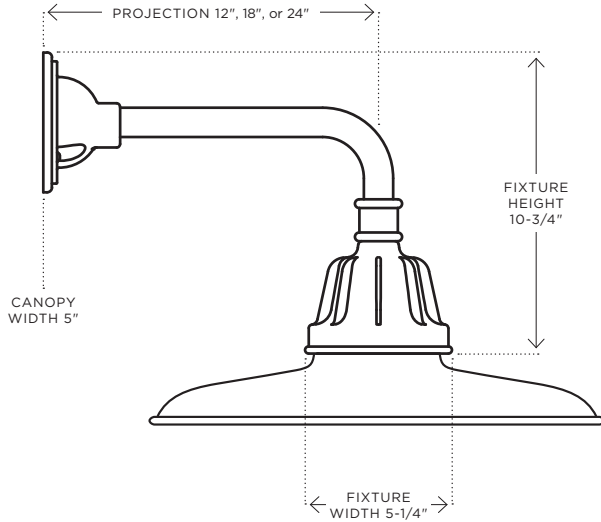
DOUBLE SCROLL  
SUPPORT  
A0301



# CARSON L-ARM

WAREHOUSE WALL FIXTURE

AVAILABLE SIZES: A4191 - 12"PROJ, 18"PROJ, 24"PROJ



## DETAILS

**UL RATING:** Wet

**NUMBER OF SOCKETS:** 1

**MAX WATTAGE:** 300W

**AVAILABLE SOCKET TYPES:** Standard incandescent or GU24

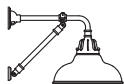
**NUMBER OF AVAILABLE COMBINATIONS:** 2,000+

**NUMBER OF ARM SUPPORT OPTIONS:** 5 available for 18" & 24" projection sizes

**SHADE SHOWN:** B0813- 16" Shallow Dome Reflector in Gloss Black

**AVAILABLE FIXTURE FINISH:** Carbon

## ARM SUPPORT OPTIONS (18" & 24" PROJECTIONS ONLY)



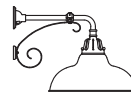
SINGLE ARM SUPPORT  
A0882



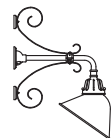
SINGLE CHAIN  
SUPPORT  
A1110



DOUBLE CHAIN  
SUPPORT  
A1201



SINGLE SCROLL  
SUPPORT  
A0009



DOUBLE SCROLL  
SUPPORT  
A0301

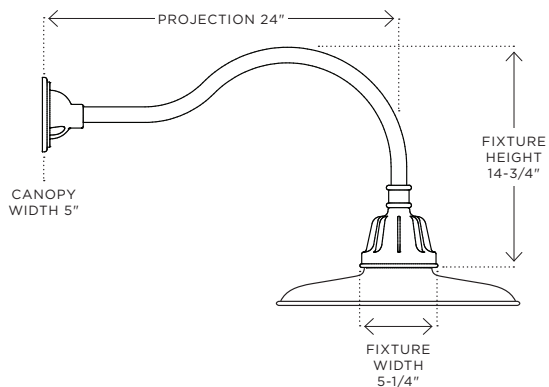
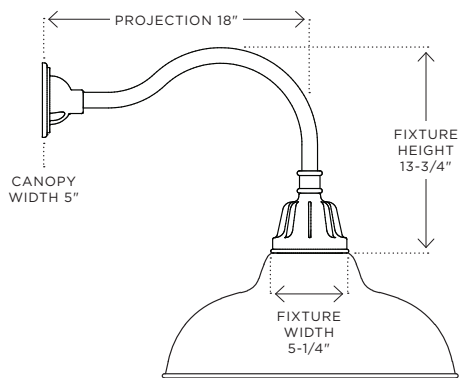
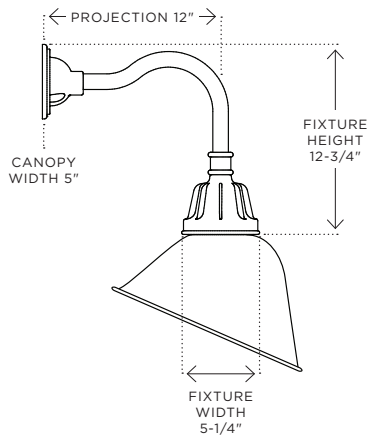




# CARSON GOOSENECK

WAREHOUSE WALL FIXTURE

AVAILABLE SIZES: A2949 - 12"PROJ, 18"PROJ, 24"PROJ



## DETAILS

**UL RATING:** Wet

**NUMBER OF SOCKETS:** 1

**MAX WATTAGE:** 300W

**AVAILABLE SOCKET TYPES:** Standard incandescent or GU24

**NUMBER OF AVAILABLE COMBINATIONS:** 120+

**SHADE SHOWN:** B0039 - Angled Dome in Gloss Green

**AVAILABLE FIXTURE FINISH:** Carbon

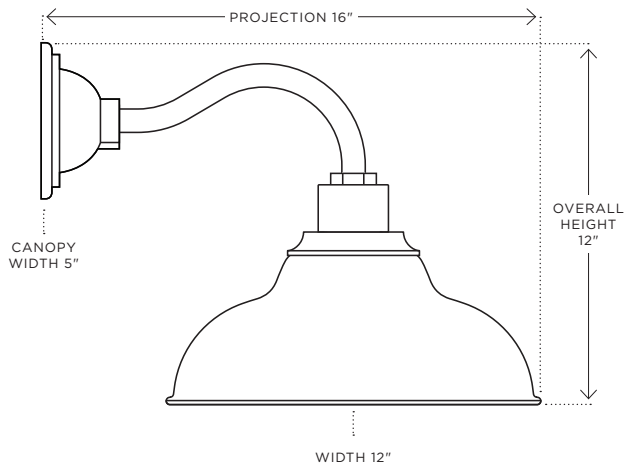


# CARSON 12" GOOSENECK

## WAREHOUSE WALL FIXTURE

### AVAILABLE OPTIONS:

A0150 - 12" Red	A0152 - 12" Gloss White
A0151 - 12" Green	A0154 - 12" Gloss Black
A0153 - 12" Cobalt (shown)	A0155 - 12" Matte Black
A0157 - 12" Orange	A0156 - 12" Matte Gray



## DETAILS

**UL RATING:** Wet

**NUMBER OF SOCKETS:** 1

**MAX WATTAGE:** 100W

**AVAILABLE SOCKET TYPES:** Standard incandescent or GU24

**NUMBER OF AVAILABLE COMBINATIONS:** 8

**OPTION SHOWN:** A0157 - Carson 12" Gooseneck in Cobalt

**AVAILABLE FIXTURE FINISH:** Carbon



## 2-1/4" FITTER



### CLASSIC 5" BELL SHADE

**B8382**, 5"DIA x 4-3/8"H  
Available in Opal, Clear, Etched, Amber Tint, Opal with Copper Stripe, Opal with Black Stripe, Opal with Blue Plate Stripe, Opal with Coffee Stripe, Opal with Eggshell Stripe, Opal with Silver Stripe, Opal with Red Pepper Stripe.



### CLASSIC 6" BELL SHADE

**B4254**, 6"DIA x 4-1/8"H  
Available in Opal, Opal with Blue Plate Stripe, Opal with Coffee Stripe, Opal with Copper Stripe, Opal with Eggshell Stripe, Opal with Black Stripe, Opal with Silver Stripe, Opal with Red Pepper Stripe.



### CLASSIC 7" BELL SHADE

**B4972**, 7"W x 5"H  
Available in Clear, Etched, Opal with Blue Plate Stripe, Opal with Coffee Stripe, Opal with Copper Stripe, Opal with Eggshell Stripe, Opal with Black Stripe, Opal with Silver Stripe, Opal with Red Pepper Stripe, Opal.



### CLASSIC 8" OPAL BELL SHADE

**B5990**, 7-7/8"DIA x 5-1/8"H  
Available in Opal.



### BRASS REFLECTOR CONE SHADE

**B4915**, 8"DIA x 3-1/4"H  
Available in Oil-Rubbed Bronze, Black, Antique Copper, Burnished Antique, Brushed Nickel, Polished Nickel, Polished Chrome, Unlacquered Brass, Old Brass.



### CLASSIC CASED SHADE

**B0582**, 4-1/2"H  
Available in 7", 10", and 12"DIA.  
Available in White-Cased, Ivory-Cased, Green-Cased.



### SHALLOW CONE SHADE

**B6318**, 7-1/2"DIA x 2"H  
Available in Opal, Clear.



### FLAT GLASS REFLECTOR SHADE

**B1136**, 11-3/4"DIA x 1-3/4"H  
Available in Opal, Clear.



### DEEP CONE SHADE

**B8860**, 9"DIA x 6-1/2"H  
Available in Clear.



### NARROW CONE SHADE

**B4815**, 4-3/4"DIA x 6-5/8"H  
Available in Clear, Opal.



### PLAIN ETCHED SHADE

**B6956**, 4"DIA x 4-7/8"H  
Available in Etched.



### DOME SHADE

**B2970**, 7-1/2"DIA x 4-1/4"H  
Available in Opal, Clear, Blackberry.



# SHADES

## 2-1/4" FITTER



### MISSION ELEGANT BELL SHADE

**B9348**, 6-3/8"DIA x 4-1/4"H  
Available in Frosted.



### MISSION FLARED SHADE

**B6611**, 3-1/2"W x 4-1/2"H  
Available in Opal, Etched,  
Amber Tint.



### MISSION PYRAMID SHADE

**B0020**, 5-3/4"DIA x 4-1/4"H  
Available in Etched, Amber.



### COLONIAL BELL SHADE

**B6831**, 4"DIA x 4-3/4"H  
Available in Etched,  
Amber Tint.



### COLONIAL HEXAGONAL SHADE

**B4994**, 4-3/8"DIA x 4-  
3/8"H  
Available in Frosted.



### CLASSIC HEXAGONAL SHADE

**B5265**, 4-3/8"DIA x 5-1/4"H  
Available in Frosted.



### SHEFFIELD SHADE

**B3585**, 4-5/8"DIA x 4-7/8"H  
Available in Frosted.



### PRISMATIC DOME SHADE

**B0055**, 6-5/8"DIA x 4-  
3/4"H  
Available in Clear.



### STREAMLINE CLAMSHELL SHADE

**B2002**, 4-1/8"DIA x 5-1/4"H  
Available in Opal.



### CLASSIC CLAMSHELL SHADE

**B8893**, 4-1/2"W x 3"H x 6"L  
Available in Opal.



### PRISMATIC RIBBED BELL SHADE

**B7460**, 8"DIA x 4-3/8"H  
Available in Clear.



## 2-1/4" FITTER



### COPPER DOME SHADE

**B7215**, 5"DIA x 3-1/2"H  
Available in Lacquered Polished Copper.



### BRASS DOME SHADE

**B9650**, 5"DIA x 3-1/2"H  
Available in Burnished Antique, Antique Copper, Oil-Rubbed Bronze, Old Brass, Polished Chrome, Unlacquered Brass, Brushed Nickel, Polished Nickel.



### PAINTED METAL DOME SHADE

**B4301**, 5"DIA x 3-1/2"H  
Available in Tomato, Yellow, Cobalt, Grasshopper, Jadite, Orange, Gloss Black, Gloss White, Gloss Green, Matte Gray, Matte Black.



### DAISY WIRE BULB GUARD SHADE

**B7689**, 3-3/4"DIA x 5-3/8"H  
Available in Black.



### INDUSTRIAL COPPER DOME

**B7755**, 7"DIA x 5"H  
Available in Lacquered Polished Copper.



### INDUSTRIAL BRASS DOME

**B4415**, 7"DIA x 5"H  
Available in Burnished Antique, Antique Copper, Oil-Rubbed Bronze, Polished Chrome, Unlacquered Brass, Brushed Nickel, Old Brass, Polished Nickel.



### INDUSTRIAL PAINTED STEEL DOME

**B3379**, 7"DIA x 5"H  
Available in Matte Black, Matte Gray, Gloss Black, Gloss White, Gloss Green, Grasshopper, Jadite, Cobalt, Tomato.



# SHADES

3-1/4" FITTER



## LARGE COPPER MERCHANT SHADE

**B5191**, 16"DIA x 5-3/8"H  
Available in Lacquered Polished Copper.



## LARGE BRASS MERCHANT SHADE

**B1976**, 16"DIA x 5-3/8"H  
Available in Antique Copper, Burnished Antique, Oil-Rubbed Bronze, Black, Brushed Nickel, Polished Nickel, Brushed Nickel, Unlacquered Brass, Old Brass.



## SHALLOW DOME SHADE

**B3664**, 15-1/2"DIA x 2-5/8"H  
Available in White-Cased.



## CLASSIC SQUAT BALL SHADE

**B0419**, 8-3/8"DIA x 6"H  
Available in Opal.



## FLUTED DORIC ACORN SHADE

**B1349**, 6-5/8"DIA x 8"H  
Available in Opal.



## CLASSIC 6-SIDED ACORN SHADE

**B3166**, 5-1/2"DIA x 7-1/8"H  
Available in Opal.



## MISSION TEARDROP SHADE

**B3755**, 4-1/2"W x 6"H  
Available in Frosted.



## PEAR-SHAPED SHADE

**B1390**, 4-7/8"DIA x 5-3/4"H  
Available in Opal, Clear.



## CRAFTSMAN FACETED SHADE

**B0486**, 5-7/8"DIA x 6-5/8"H  
Available in Frosted.



## CLASSIC BALL SHADE

**B5105**, 6"DIA x 6"H  
Available in Opal, Clear.



## GLOBE SHADE

**B0002**  
Available in 6" and 9.5"DIA.  
Available in Clear.



# SHADES

## 4" FITTER



### FLUTED DORIC ACORN SHADE

**B2729**, 8"DIA x 9-3/8"H  
Available in Opal.



### CLASSIC ACORN SHADE

**B0239**, 7-3/4"DIA x 9-3/8"H  
Available in Opal.



### FACETED GLOBE

**B0043**, 9-3/4"W x 10"H  
Available in Etched.



### SCHOOLHOUSE DRUM SHADE

**B6043**, 8"DIA x 6-3/4"H  
Available in Opal, Clear.



### DOMED SCHOOLHOUSE SHADE

**B5768**, 8-1/2"DIA x 6"H  
Available in Opal.



### OGEE SCHOOLHOUSE SHADE

**B2685**, 10-1/2"DIA x 7-1/2"H  
Available in Opal, Clear.



### CLASSIC OPAL SCHOOLHOUSE SHADE

**B2104**, 6-3/8"H  
Available in 8" and 10"DIA.  
Available in Opal,  
Opal with Blue Plate Stripe,  
Opal with Coffee Stripe,  
Opal with Copper Stripe,  
Opal with Eggshell Stripe,  
Opal with Black Stripe,  
Opal with Silver Stripe,  
Opal with Red Pepper  
Stripe.



### LOW PROFILE SCHOOLHOUSE SHADE

**B7389**, 13-1/8"DIA x 6-1/2"H  
Available in Opal.



### CLASSIC DRUM SHADE

**B1489**, 8-3/8"DIA x 7"H  
Available in Opal, Opal with  
Black Stripe.



### CLASSIC BALL SHADE

**B9164**, 10"H  
Available in 8" and 10"DIA.  
Available in Opal.



### INDUSTRIAL GLASS GLOBE WITH WIRE CAGE

**B2650**, 9-3/8"W x 9-3/4"H  
Available in Clear, Etched.



### LARGE GAS-STYLE SHADE

**B3211**, 7-7/8"DIA x 7-1/8"H  
Available in Etched.



## 6" FITTER



### GREEK KEY SHADE

**B4463**, 13"DIA x 8"H  
**B0705**, 15-1/2"DIA x 10"H  
 Available in Frosted.



### CLASSIC SQUAT GLOBE

**B4241**, 9"DIA x 5"H  
 Available in Opal.



### NEOCLASSICAL ACORN SHADE

**B0374**, 14-1/4"H  
 Available in 12" and 14"DIA.  
 Available in Opal.



### ART DECO STEPPED SHADE

**B5937**, 9"H  
 Available in 12" and 14"DIA.  
 Available in Opal.



### POINTED CONE SHADE

**B8959**, 14"W x 8"H  
 Available in Opal with Orange Peel Stripe, Opal with Blue Stripe, Opal with Green Stripe.



### STRIPED SCHOOLHOUSE DRUM SHADE

**B3527**, 12"DIA x 8"H  
 Available in Opal with Black Stripes.



### SCHOOLHOUSE DRUM SHADE

**B0720**, 11-5/8"DIA x 8"H  
 Available in Opal, Clear.



### LOW PROFILE SCHOOLHOUSE SHADE

**B8990**, 16"DIA x 7-7/8"H  
 Available in Opal.



### SCHOOLHOUSE SHADE

**B1815**, 15-3/4"DIA x 10-7/8"H  
 Available in Opal, Clear.



### CLASSIC OPAL SCHOOLHOUSE SHADE

**B7802**, 8-3/8"H  
 Available in 12", 14", 16", and 18"DIA.  
 Available in Opal, Opal with Red Pepper Stripe, Opal with Coffee Stripe, Opal with Copper Stripe, Opal with Eggshell Stripe, Opal with Black Stripe, Opal with Silver Stripe.



### FLARED SCHOOLHOUSE SHADE

**B5344**, 8-1/8"H  
 Available in 12", 14", and 16"DIA.  
 Available in Opal.





## 8" FITTER

---



### GLOBE SHADE

---

**B0485**, 11-1/8"H  
Available in 12", 14" and  
18"DIA.  
Available in Opal, Clear.



### GLOBE SHADE WITH WIRE MESH

---

**B3960**, 13-3/8"H  
Available in 12", 14" and  
18"DIA.  
Available in Opal, Clear.



### FLUTED DORIC GLOBE SHADE

---

**B3020**, 15"DIA x 14-1/2"H  
Available in Opal.



### NEOCLASSICAL GADROONED SHADE

---

**B6210**, 15"DIA x 12-1/8"H  
Available in Opal.



### GLASS TUBE SHADE

---

**B3610**, 18"W x 16"H  
Available in Opal, Clear.



## 10" FITTER

---



### COLONIAL BOWL SHADE

---

**B7879**, 12"DIA x 5-5/8"H  
Available in Opal.



### CLASSIC SHALLOW BOWL SHADE

---

**B7329**, 12"W x 5-1/2"H  
Available in Frosted.

## 12" FITTER

---



### COLONIAL BOWL SHADE

---

**B4780**, 14"DIA x 6-3/8"H  
Available in Opal.



### NEOCLASSICAL BOWL SHADE

---

**B6492**, 14"DIA x 7"H  
Available in Frosted.



### CLASSIC SHALLOW BOWL SHADE

---

**B3918**, 14"DIA x 6-3/4"H  
Available in Frosted.

## 14" FITTER

---



### COLONIAL BOWL SHADE

---

**B5612**, 15-5/8"DIA x 7-1/4"H  
Available in Opal.



### NEOCLASSICAL BOWL SHADE

---

**B5411**, 16"W x 7"H  
Available in Frosted.



## CARSON SHADES



### 16" DEEP DOME WAREHOUSE SHADE

**B1700**, 16"DIA x 8-5/8"H  
Available in Gloss Black, Gloss White, Gloss Green, Matte Black, Matte Gray, Grasshopper, Jadite, Cobalt, Orange, Tomato.



### 20" DEEP DOME WAREHOUSE SHADE

**B1700**, 20"DIA x 8-5/8"H  
Available in Gloss Black, Gloss White, Gloss Green, Matte Black, Matte Gray, Grasshopper, Jadite, Cobalt, Orange, Tomato.



### 16" COPPER DEEP DOME SHADE

**B0036**, 16"DIA x 8-5/8"H  
Available in Lacquered Polished Copper.



### 20" COPPER DEEP DOME SHADE

**B0036**, 20"DIA x 8-5/8"H  
Available in Lacquered Polished Copper.



### 16" HEMISPHERE SHADE

16"DIA x 8"H  
Available in  
**B0047** - Gloss Black  
**B0049** - Gloss White  
**B0048** - Gloss Green  
**B0050** - Matte Black  
**B0051** - Matte Gray  
**B0045** - Cobalt  
**B0046** - Orange  
**B0052** - Tomato



### 20" HEMISPHERE SHADE

20"DIA x 9-5/8"H  
Available in  
**B0057** - Gloss Black  
**B0059** - Gloss White  
**B0058** - Gloss Green  
**B0061** - Matte Black  
**B0062** - Matte Gray  
**B0056** - Cobalt  
**B0054** - Orange  
**B0063** - Tomato



### 16" SHALLOW DOME REFLECTOR SHADE

**B0813**, 15-5/8"DIA x 2-1/4"H  
Available in Gloss Black, Gloss White, Gloss Green, Matte Black, Matte Gray, Grasshopper, Jadite, Cobalt, Orange, Tomato.



### 20" SHALLOW DOME REFLECTOR SHADE

**B0813**, 20"DIA x 3"H  
Available in Gloss Black, Gloss White, Gloss Green, Matte Black, Matte Gray, Grasshopper, Jadite, Cobalt, Orange, Tomato.



### ANGLED DOME SHADE

**B0039**, 14"DIA x 7-3/8"H  
Available in Gloss Black, Gloss White, Gloss Green, Matte Black, Matte Gray, Grasshopper, Jadite, Cobalt, Orange, Tomato.



# FINISHES

## METAL



ANTIQUE COPPER



BLACK ENAMEL



BRUSHED NICKEL



BURNISHED ANTIQUE



UNLACQUERED BRASS



OIL-RUBBED BRONZE



OLD BRASS



POLISHED CHROME



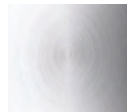
POLISHED NICKEL



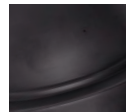
BRONZE TONE



BRUSHED ALUMINUM



BRUSHED CHROME



GRAPHITE



LACQUERED POLISHED COPPER



LACQUERED BRASS



WHITE ENAMEL



BLACK PORCELAIN

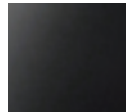


WHITE PORCELAIN

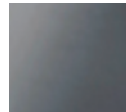
## PAINTED METAL



GLOSS BLACK



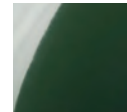
MATTE BLACK



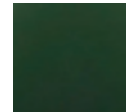
MATTE GRAY



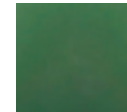
COBALT



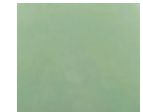
GLOSS GREEN



GREEN



GRASSHOPPER



JADITE



WHITE



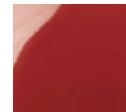
GLOSS WHITE



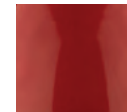
YELLOW



ORANGE



TOMATO



GLOSS RED

## GLASS



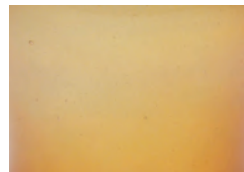
CLEAR



OPAL



ETCHED & FROSTED



AMBER



PRISMATIC



BLACKBERRY



IVORY



OPAL WITH BLACK STRIPE



OPAL WITH SILVER STRIPE



OPAL WITH COFFEE STRIPE



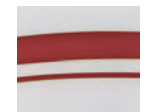
OPAL WITH COPPER STRIPE



OPAL WITH BLUE PLATE STRIPE



OPAL WITH EGGSHELL STRIPE



OPAL WITH RED PEPPER STRIPE

