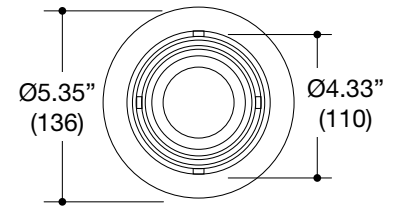
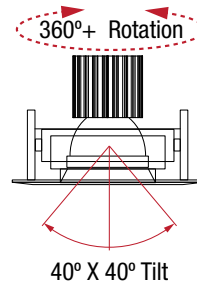
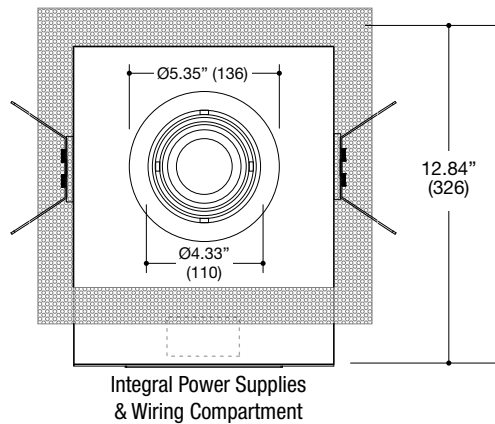
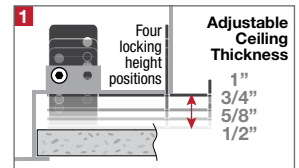
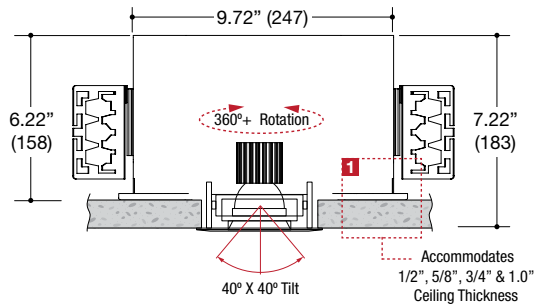


PROJECT	TYPE	CATALOG NUMBER
---------	------	----------------



ROUND ADJUSTABLE DOWNLIGHT

- 5.35" round recessed adjustable downlight
- 4.33" aperture
- Die-cast aluminum trim and lamp mechanism
- Double gimbal lamp assembly
- 40° X 40° tilt aiming / 360°+ rotation
- Powder coat finish

HOUSING

- All steel construction
- Powder coat finish
- **Ceiling Cut-Out - Ø5.00"**

LED SOURCE

- Field-replaceable integral LED module and optic
- 20W / 1700lm, 80CRI / 3000K
- 27W / 2200lm, 80CRI / 3000K
- Accepts up to 2 or more optical accessories

ELECTRICAL

- Field-replaceable Integral LED driver
- Electrical wiring compartment integrated into housing construction
- Thermal protection
- Easy maintenance access through ceiling opening
- Rated for through-branch wiring
- Dimmable

MOUNTING

- Butterfly brackets for commercial installation in drywall, wood, stone, acoustic tile, or other ceiling types
- Perforated plate adjusts for 1/2", 5/8", 3/4" & 1.0" ceiling thickness
- Optional hanger bar attachment for residential installation

LABELS

- Suitable for damp location

Patent Pending

5 YEAR WARRANTY
Limited



ORDERING INFO

SERIES	WATTAGE	CRI / COLOR	BEAM	DRIVER	VOLTAGE	FINISH	OPTIONS
7221-1CN-T	20L 20W LED 1700 lm nom.	8027 80CRI / 2700K 8030 80CRI / 3000K 8035 80CRI / 3500K 8040 80CRI / 4000K	N Narrow 12° M Medium 28° W Wide 40°	LD LED Driver D1 Phase Dim. 120V Driver D2 0-10V Dim. Driver D3 Lutron Hi-Lume Forward Phase 2-Wire (1%) D4 Lutron Hi-Lume Eco-System & 3-Wire (1%) D5 Lutron Eco-System 5-Series 4-Wire (5%) <i>(Consult factory for further dimming options)</i>	1 120V U 120-277V 3 347V* * Consult factory	BB Black WW White	CP Chicago Plenum EM Emergency Relay
GIMBALO Recessed Die-Cast Aluminum Trim Adjustable Downlight Trimmed Fixture New Construction Housing	27L 27W LED 2200 lm nom	9027 90CRI / 2700K 9030 90CRI / 3000K 9727 97CRI / 2700K 9730 97CRI / 3000K					

Ordering Example: **7221-1CN-T-20L-8027-N-D1-1-BB-CP**