



4" & 6" LED DOWNLIGHT

SPECIFICATION GRADE LED RECESSED DOWNLIGHTS

- **Optically engineered to balance visual comfort while maintaining maximum output**
- **Available in New Construction, Insulated Ceiling, Air-Tight and Remodel Housings**
- **Full line of trims available to complement your space; designed for maximum lumen output**



WHAT SETS US APART

INNOVATION

We combine the latest energy efficient technology and design styles to create an extensive range of attractive and sustainable luminaires. We have over 5,000 products, including many high performance products that can't be found anywhere else. Our EcoTechnology solutions offer sustainable energy solutions that meet the qualitative needs of the visual environment with the least impact on the physical environment.



SUSTAINABILITY

At Con-Tech Lighting, our commitment to the environment is as important as our commitment to innovation, quality and our customers. We believe that lighting can be environmentally responsible and energy efficient, while providing high-quality performance and outstanding aesthetic design. EcoTechnology applies to our daily operation as well as to our products; from materials, manufacturing and transportation to the disposal process for our products and by-products.

QUALITY

We use the best components and manufacturing methods resulting in the highest quality fixtures. From cast housings and high performance reflectors, to the testing of each ballasted fixture before it ships, Con-Tech Lighting is defined by its quality. For consistency, we use only the most reliable LED chip makers including Cree, Nichia, Lumileds, Bridgelux and Sharp.

SERVICE

Our responsive, personalized customer focus, and market expertise represents an oasis of outstanding service in an industry that values it, but frequently doesn't receive it. We are here for you, live and in person, Monday through Friday 7:30am – 5:30pm CST.

PRODUCT AVAILABILITY AND SPEEDSHIP™

Our products are in stock and ready to ship. Our unique SpeedShip™ process helps us toward our goal of shipping 100% of placed orders within 48 hours; at no additional cost to you.



MARKET EXPERTISE

Each market has its own unique lighting challenges. Designs can get tricky, having to verify every fixture, test every connector and make certain that every length of track is just right. We have an experienced staff of sales professionals to assist you with your projects from concept to completion.

CON-TECH LIGHTING AWARDS

The Con-Tech Lighting Awards recognize and honor the excellent work of designers, architects, engineers and contractors. Entries are judged on creativity, originality and effective use of Con-Tech products. For more information and to submit entries online, go to www.contechlighting.com/application_gallery/entryform.aspx.



Introducing the 4" and 6" families of LED recessed downlights. Leveraging the latest advances in SSL technology, these downlights have been engineered from the ground up to push performance and optical quality higher than ever.

Delivering over 2000 lumens while consuming only 29W, the 4" models deliver outstanding efficacy of 71 lumens per watt.

The 6" family delivers over 2700 lumens, with an excellent efficiency of 60 lumens per watt.

Through efficiency, light output and reduced consumption, these fixtures directly contribute to reduced cost of material, labor and energy. With a full offering of housings and trims, the Specification Grade LED Downlights have a product to suit your downlight specification needs.



4" & 6" LED DOWNLIGHT

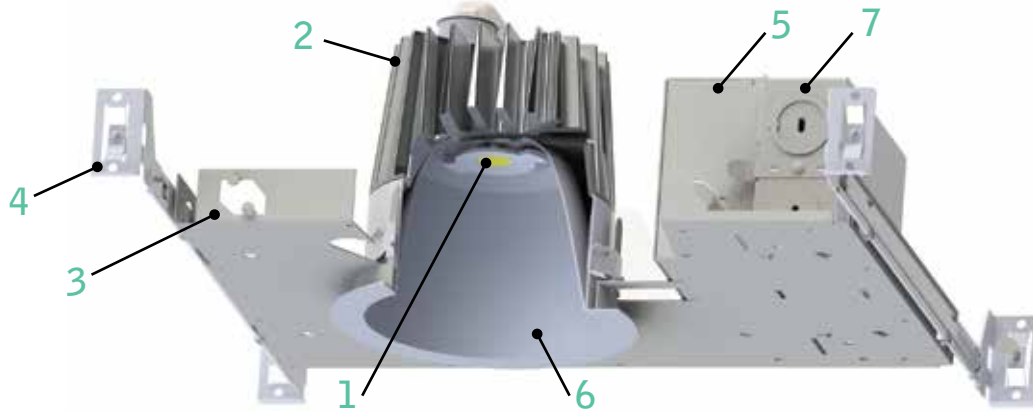
SPECIFICATION GRADE LED RECESSED DOWNLIGHTS

PRODUCT FEATURES	4
4" LED DOWNLIGHT	6
6" LED DOWNLIGHT	10
DIMMING	15
PHOTOMETRICS	16

- High light levels:
4" replaces a 42W CFL, 6" replaces a 39W CMH
- Excellent visual comfort with low glare design
- Single LED array and optics designed to deliver superior beam field appearance
- Full dimming capability to 1%
- Die cast heat sink
- Extremely long life, 50,000 hours to L⁷⁰
- Modular light engine design
- Extensive housing selection
- Excellent fixture-to-fixture color consistency with 3-step MacAdam Ellipse tolerance
- Color Rendering Index (CRI) of 80, minimum
- Color temperatures of 2700K, 3000K and 3500K
- Extensive trim selection
- Reduced energy consumption
- Reduced maintenance
- Reduced operating cost
- Sustainable fixture: recyclable, RoHS compliant, no UV, IR or Mercury
- 5 Year complete warranty

LED Technology provides designers with many distinct advantages over other light sources including size, efficiency and color, provided the LED is designed into the fixture properly. A system approach to fixture design is required to maximize the advantages LED technology has to offer. The key parts of the luminaire design include thermal management, optical performance, color consistency, electrical management and the LED itself. At Con-Tech Lighting, all the key parts of the system are properly balanced to maximize the benefits of this technology.

PRODUCT FEATURES



1. LED LIGHT ENGINE

By utilizing the latest in LED chip array technology, the 4" and 6" LED downlights are able to deliver best in class lumen output and efficacy. The LED is constructed of 168 individual diodes that, when driven at a low current, result in a highly efficient system. The single LED package provides a single point source that can be shaped and optimized through our optically engineered reflectors. Available in three (3) color temperatures: 2700K, 3000K and 3500K with a minimum Color Rendering Index (CRI) of 80. 3-Step MacAdam Ellipse ensures color consistency between fixtures.

2. THERMAL MANAGEMENT

Die-cast aluminum heat sink thermally engineered to maintain an optimal LED junction temperature well within the LED manufacturers recommended operating range ensuring long life and consistent color temperature. By fully optimizing the thermal design; we balanced the desire for maximum light output without sacrificing the light quality and maximum life, enabling the fixture to exceed 70% lumen maintenance at 50,000 hours.

3. HOUSING

Our family of LED downlights features a full line of housings to choose from including New Construction, Insulated Ceiling, StopAire®/Chicago Plenum and Remodel. The StopAire®/Chicago Plenum housing meets the restricted airflow requirements per ASTM E283 and conforms to Washington State Energy Code for low air infiltration. The housings are all constructed of specification grade galvanized steel and are designed for easy installation. cCSAus certified for through-branch wiring and damp locations.

4. HANGER BARS

Dual nailer hanger bars enable easy installation and are adjustable for 16" and 24" center joists or may be extended to rest on T-bar ceilings.

5. LED DRIVERS/DIMMING

There are three (3) different dimming options available for the Specification Grade LED Downlight family. The Hi-Lume 2-Wire dimming system by Lutron provides high quality dimming down to 1%. 0-10V Dimming is our standard driver option; 0-10V Dimming has been widely available on downlights for years and provides dimming capability down to 15%. Standard TRIAC dimming is available as well, and provides dimming capability down to 10%.

6. TRIMS

A complete offering of easy to install twist-and-lock trims are available. Each trim has been optically designed for use with the multi-chip LED array. The open downlight reflectors feature a traditional parabolic shape while providing superior glare control and cut-off. Designed to achieve a generous spacing criteria while providing even intensity and uniformity on the floor. In addition to the open downlights, an extensive selection of other trim options are available including baffles, wall washers, wet location and decorative glass.

7. JUNCTION BOX

Once the fixture is installed, the J-Box is easily accessible through the fixture opening from below the ceiling. Certified for through-branch wiring.

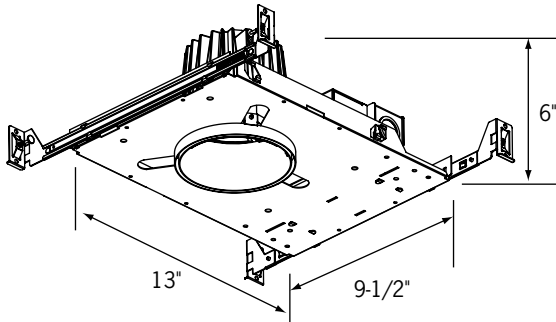


4" LED DOWNLIGHT

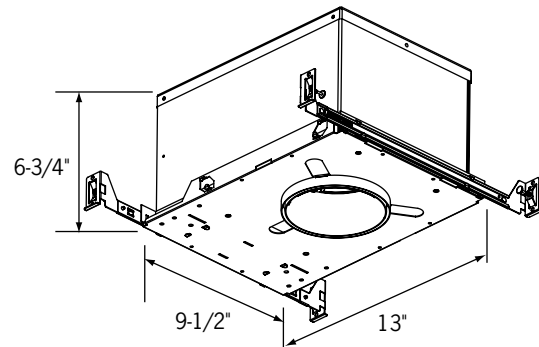
SPECIFICATION GRADE LED RECESSED DOWNLIGHTS

- 1000 Series LED Module delivers 1000 lumens with an input wattage rating of 16W
- 2000 Series LED Module delivers 2000 lumens with an input wattage rating of 29W

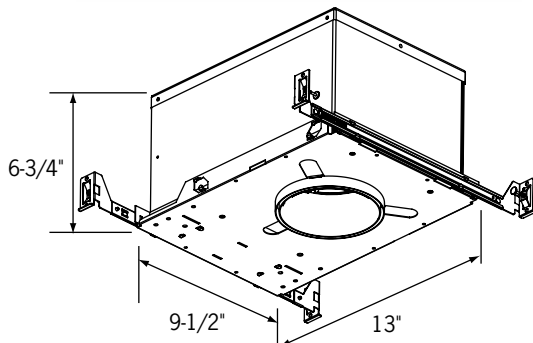
NEW CONSTRUCTION HOUSING



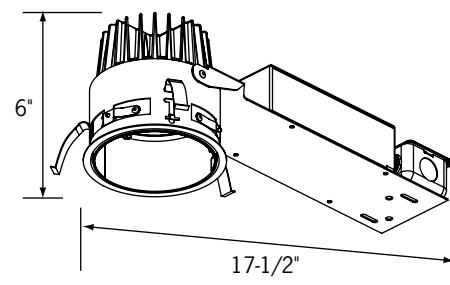
INSULATED CEILING HOUSING



STOPIRE®/ CHICAGO PLENUM HOUSING



REMODEL HOUSING



RA4L 4" LED DOWNLIGHT SERIES TRIMS



CST4322L-(CLR, PL, WHT)
Specification grade specular reflector: clear, platinum or white. OD: 5-5/8"; ID: 4-3/8"
Approved for use in U.S.; for Canadian approved trim add "-C" after finish code. Only the "-C" version is wet location certified for U.S. and Canada.



CTR4321L-(CLR, WHT)-(CLR, PL)
Two piece reflector: clear or white upper reflector, clear or platinum lower cone; Includes (1) LF20-CL glass lens. OD: 5-5/8"; ID: 3-1/2"
Approved for use in U.S. and Canada.



CTR6321L-(CLR, WHT)-(B, P)
Two piece reflector: clear or white upper reflector, black or white lower baffle; Includes (1) LF20-CL glass lens. OD: 5-5/8"; ID: 3-1/2"
Approved for use in U.S. and Canada.



CTR4327L-(CLR, WHT)-(CLR, PL)
Two piece reflector/baffle: Clear or white upper reflector, clear or platinum lower cone; regressed prismatic convex lens, Wet Location Listed. OD: 5-5/8"; ID: 3-7/8" Approved for use in U.S. and Canada.



CTR4327L-(CLR, WHT)-(B, P)
Two piece reflector with lens: Clear or white upper reflector, black or white lower baffle with regressed prismatic convex glass lens; 1-1/2" Regress. Wet Location Listed. OD: 5-5/8"; ID: 3-7/8" Approved for use in U.S. and Canada.



CTR4323L-(CLR, PL, WHT)
Lensed Wall Wash Trim; Clear, Platinum or White Reflector. OD: 5-1/2"; ID: 4" Approved for use in U.S. and Canada.



CTR4325L-(CLR, WHT)-P
Floating glass disc; clear or white reflector. 1-1/4" Drop from ceiling. Glass OD: 6-1/16". Approved for use in U.S. and Canada.



CTR4326L-(CLR, WHT)-P
Floating glass ring; clear or white reflector. 1-1/4" Drop from ceiling; 3-1/2" center hole. Glass OD: 6-1/16". Approved for use in U.S.; for Canadian approved trim add "-C" after finish code. Only the "-C" version is wet location certified for U.S. and Canada.



CTR4324L-(CLR, WHT)-P 1AR4(B,F,G,R,Y)
Single floating colored acrylic ring; clear or white reflector. 1-1/2" Drop from ceiling. Acrylic Ring OD: 6-7/8"; ID: 4-3/8". Approved for use in U.S.; for Canadian approved trim add "-C" after finish code. Only the "-C" version is wet location certified for U.S. and Canada.



CTR4324L-(CLR, WHT)-P 2AR4(B,F,G,R,Y)
Stacked floating colored acrylic rings; clear or white reflector. 2-3/4" Drop from ceiling. Acrylic Ring OD: 6-7/8"; ID: 4-3/8". Approved for use in U.S.; for Canadian approved trim add "-C" after finish code. Only the "-C" version is wet location certified for U.S. and Canada.

Reflector Finishes: -B (black), -CLR (clear reflector), -P (white), -PL (matte platinum), -WHT (white reflector);
Acrylic Ring Finishes: -B (blue), -F (frosted), -G (green), -R (red), -Y (yellow)

ORDERING INFORMATION

Housing	LED Module/Color Temp	Driver/Dimming	Trim Type	Battery Back Up	CSA Listing
RA4LNC - New Construction	1000 Series 127K - 16W/2700K 130K - 16W/3000K 135K - 16W/3500K	12D1 ² - 120V TRIAC Dimming 12D2 - 120V Non-Dimming/ 12D3 ³ - 120V Lutron Hi-Lume Dimming 27D2 - 277V Non-Dimming/ 0-10V Dimming	- All Others <i>Leave Blank</i> W - Wall Wash	NC Housings Only - No Battery Back Up <i>Leave Blank</i> EBL - Factory Installed 7W/300mA Emergency Battery Back Up	- Listed for use in U.S. <i>Leave Blank</i> C - Listed for use in Canada ⁴
RA4LIC ¹ - Insulated Ceiling RA4LRM - Remodel RA4LSA - StopAire®/ Chicago Plenum	2000 Series 227K - 29W/2700K 230K - 29W/3000K 235K - 29W/3500K				

Options

- RL-KIT** - Commercial Mounting Brackets
- HB-24** - Flat hanger set for use with RL-KIT. Length: 27"
- HBC-24** - C-channel hanger bar set for use with RL-KIT in grid ceiling construction. Length: 25"
- HBC-30** - T-Bar Hanger Set

1. IC Housing is not available for use with 2000 Series LED module.
2. 12D1 driver option is available on the 1000 Series LED Module only.
3. 12D3 Driver/Dimming option not approved for use in Canada.
4. MUST use cCSAus compliant trim.

All specifications subject to change without notice.

4" LED DOWNLIGHT

SPECIFICATION GRADE LED RECESSED DOWNLIGHTS

DIMMING COMPATIBILITY

	New Construction		Insulated Ceiling		StopAire®		Remodel	
	1000 Series	2000 Series	1000 Series	2000 Series	1000 Series	2000 Series	1000 Series	2000 Series
120V TRIAC Dimming	X		X		X		X	
120V Non-Dimming/0-10V Dimming	X	X	X		X	X	X	X
120V Lutron HiLume® Dimming	X	X	X		X	X	X	X
277V Non-Dimming/0-10V Dimming	X	X	X		X	X	X	X
Battery Back-Up	X	X						

ANNUAL OPERATING LED COST BENEFITS

	CON-TECH LED	CFL
LUMINAIRE COMPARISON		
Luminaire	4" RA4LNC-230K12D2/CST4322L-CLR	6" CST6422-CLR (42W CFL)
Lamp Life (Hours)	50,000	12,000
Power Consumption	29W	46W
Delivered Lumens	2056	1564
Luminaire Efficacy	71 lm/w	34 lm/w
Spacing Criterion	1.3	1.2
Warranty	5 YEARS	1 YEAR
INSTALLATION EXAMPLE¹		
Number of Fixtures	16	16
Average Illumination	69.5 fc	52.4 fc
Uniformity Ratio (Max/Min)	2.2	2.1
Watts/Square Foot	1.1	1.8
Annual Energy Cost/Fixture ²	\$12.70	\$20.15
Annual Relamping Labor Cost/Fixture ³	\$0.00	\$6.21
Annual Operating and Labor Cost	\$203.23	\$421.65

Annual operating cost reduced 52% over CFL

Annual operating cost reduced 75% over Incandescent

1. Installation example based on a 20' x 20' space with 9' ceilings, calculation grid at 36" A.F.F.
2. Total input watts x 12 hours/day x 365 days/year x \$0.10/kwh/1000
3. Replacement cost per lamp x annual hours of operation/lamp life



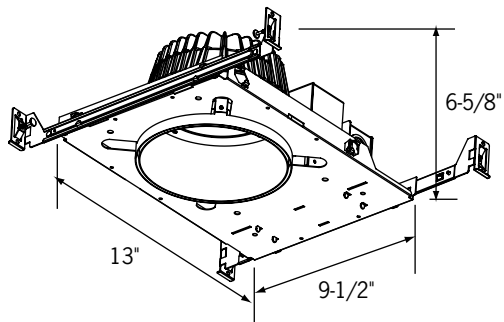


6" LED DOWNLIGHT

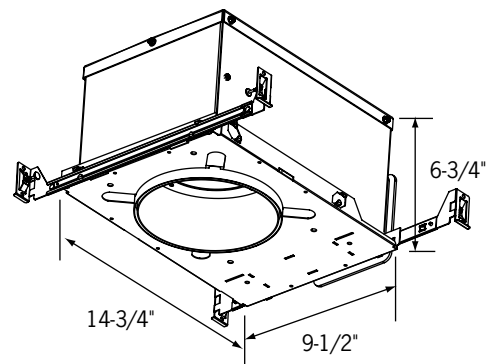
SPECIFICATION GRADE LED RECESSED DOWNLIGHTS

- 1000 Series LED Module delivers 1000 lumens with an input wattage rating of 16W
- 2000 Series LED Module delivers 2000 lumens with an input wattage rating of 29W
- 2700 Series LED Module delivers 2700 lumens with an input wattage rating of 45W

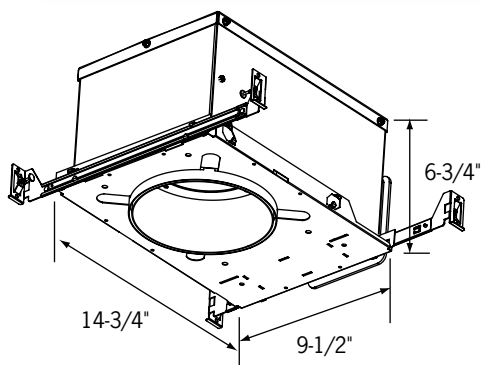
NEW CONSTRUCTION HOUSING



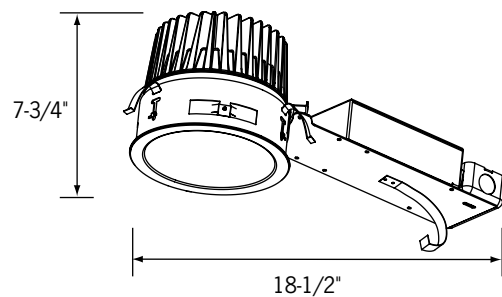
INSULATED CEILING HOUSING



STOPIRE®/ CHICAGO PLENUM HOUSING



REMODEL HOUSING



RA6L 6" LED DOWNLIGHT SERIES TRIMS



CST6322L2-(CLR, PL, WHT)
Specification grade specular reflector: clear, platinum or white. OD: 6-7/8"; ID: 5-3/4" Approved for use in U.S.; for Canadian approved trim add "-C" after finish code. Only the "-C" version is wet location certified for U.S. and Canada.



CTR6321L2-(CLR, WHT)-(CLR, PL)
Two piece reflector: clear or white upper reflector, clear or platinum lower cone; Includes (1) LF38-CL glass lens. OD: 7-1/16"; ID: 5-3/4" Approved for use in U.S. and Canada.



CTR6321L2-(CLR, WHT)-(B, P)
Two piece reflector: clear or white upper reflector, black or white lower baffle; Includes (1) LF38-CL glass lens. OD: 7-1/16"; ID: 5-3/4" Approved for use in U.S. and Canada.



CTR6327L2-(CLR, WHT)-(CLR, PL)
Two piece reflector/baffle: Clear or white upper reflector, clear or platinum lower cone; regressed prismatic convex lens, Wet Location Listed. OD: 7-1/16"; ID: 5-3/4" Approved for use in U.S. and Canada.



CTR6327L2-(CLR, WHT)-(B, P)
Two piece reflector with lens: Clear or white upper reflector, black or white lower baffle with regressed prismatic convex glass lens; 1-1/2" Regress. Wet Location Listed. OD: 7-1/16"; ID: 5-3/4" Approved for use in U.S. and Canada.



CTR6323L2-(CLR, PL, WHT)
Lensed Wall Wash Trim; Clear, Platinum or White Reflector. OD: 7-1/4"; ID: 5-5/8" Approved for use in U.S. and Canada.



CTR6325L2-(CLR, WHT)-P
Floating glass disc; clear or white reflector. 1-1/4" Drop from ceiling. Glass OD: 7-7/8". Approved for use in U.S. and Canada.



CTR6326L2-(CLR, WHT)-P
Floating glass ring; clear or white reflector. 1-1/4" Drop from ceiling; 3-1/2" center hole. Glass OD: 7-7/8". Approved for use in U.S.; for Canadian approved trim add "-C" after finish code. Only the "-C" version is wet location certified for U.S. and Canada.



CTR6324L2-(CLR, WHT)-P 1AR6(B,FG,R,Y)
Single floating colored acrylic ring; clear or white reflector. 1-1/2" Drop from ceiling. Acrylic Ring OD: 8-5/8"; ID: 6-1/8". Approved for use in U.S.; for Canadian approved trim add "-C" after finish code. Only the "-C" version is wet location certified for U.S. and Canada.



CTR6324L2-(CLR, WHT)-P 2AR6(B,FG,R,Y)
Stacked floating colored acrylic rings; clear or white reflector. 2-3/4" Drop from ceiling. Acrylic Ring OD: 8-5/8"; ID: 6-1/8". Approved for use in U.S.; for Canadian approved trim add "-C" after finish code. Only the "-C" version is wet location certified for U.S. and Canada.

Reflector Finishes: -B (black), -CLR (clear reflector), -P (white), -PL (matte platinum), -WHT (white reflector);
Acrylic Ring Finishes: -B (blue), -F (frosted), -G (green), -R (red), -Y (yellow)

ORDERING INFORMATION

Housing	LED Module/Color Temp	Driver/Dimming	Trim Type	Battery Back Up	CSA Listing
RA6LNC - New Construction	1000 Series 427K - 16W/2700K	12D1 ³ - 120V TRIAC Dimming	- All Others Leave Blank	NC Housings Only - No Battery Back Up Leave Blank	- Listed for use in U.S. Leave Blank
RA6LIC ¹ - Insulated Ceiling	430K - 16W/3000K	12D2 - 120V Non-Dimming/	W - Wall Wash	EBL - Factory Installed 7W/300mA Emergency Battery Back Up (Not available for 2700 Series)	C - Listed for use in Canada ⁵
RA6LRM - Remodel	435K - 16W/3500K	0-10V Dimming			
RA6LSA - StopAire®/ Chicago Plenum	2000 Series 527K - 29W/2700K 530K - 29W/3000K 535K - 29W/3500K	12D3 ⁴ - 120V Lutron Hi-Lume Dimming			
	2700 Series ² 627K - 45W/2700K 630K - 45W/3000K 635K - 45W/3500K	27D2 - 277V Non-Dimming/ 0-10V Dimming			

Options

- RL-KIT** - Commercial Mounting Brackets
- HB-24** - Flat hanger set for use with RL-KIT. Length: 27"
- HBC-24** - C-channel hanger bar set for use with RL-KIT in grid ceiling construction. Length: 25"
- HBC-30** - T-Bar Hanger Set

1. IC Housing with the 2000 Series LED Module is only available with the 12D1 and 12D2 Driver/Dimming options.
2. Not available for IC or SA models.
3. 12D1 driver option is available on the 1000 Series LED Module only.
4. 12D3 Driver/Dimming is not approved for use in Canada.
5. MUST use cCSAus compliant trim.

All specifications subject to change without notice.

6" LED DOWNLIGHT

SPECIFICATION GRADE LED RECESSED DOWNLIGHTS

DIMMING COMPATIBILITY

	New Construction			Insulated Ceiling			StopAire®			Remodel		
	1000 Series	2000 Series	2700 Series	1000 Series	2000 Series	2700 Series	1000 Series	2000 Series	2700 Series	1000 Series	2000 Series	2700 Series
120V TRIAC Dimming	X			X			X			X		
120V Non-Dimming/0-10V Dimming	X	X	X	X	X		X	X		X	X	X
120V Lutron HiLume® Dimming	X	X	X	X			X	X		X	X	X
277V Non-Dimming/0-10V Dimming	X	X	X	X	X		X	X		X	X	X
Battery Back-Up	X	X										

ANNUAL OPERATING LED COST BENEFITS

	CON-TECH LED	CMH
LUMINAIRE COMPARISON		
Luminaire	6" RA6LNC-630K12D2/CST6322L2-CLR	6" CST46F-CLR (39W CMH)
Lamp Life (Hours)	50,000	15,000
Power Consumption	45W	46W
Delivered Lumens	2708	2161
Luminaire Efficacy	60 lm/w	47 lm/w
Spacing Criterion	1.0	1.0
Warranty	5 YEARS	1 YEAR
INSTALLATION EXAMPLE¹		
Number of Fixtures	9	9
Average Illumination	57.2 fc	47.5 fc
Watts/Square Foot	1.0	1.0
Annual Energy Cost/Fixture ²	\$19.71	\$20.15
Annual Relamping Labor Cost/Fixture ³	\$0.00	\$6.72
Annual Operating and Labor Cost	\$177.39	\$241.78

Annual operating cost reduced 27% over CFL

1. Installation example based on a 20' x 20' space with 9' ceilings, calculation grid at 36" A.F.F.
2. Total input watts x 12 hours/day x 365 days/year x \$0.10/kwh/1000
3. Replacement cost per lamp x annual hours of operation/lamp life





LED DOWNLIGHT DIMMING CAPABILITY

The following Con-Tech Recessed LED Products are compatible with the dimmers listed below.

4" and 6" 1000 Series: Standard, 0-10V DC and LUTRON Hi-lume® Dimming

4" and 6" 2000 Series: 0-10V DC and LUTRON Hi-lume® Dimming

6" 2700 Series: 0-10V DC and LUTRON Hi-lume® Dimming

STANDARD TRIAC DIMMING (4" 1000 SERIES and 6" 1000 SERIES)

120V AC Dimming: Incandescent (INC) and Magnetic Low Voltage (MLV) Dimmers

Standard 120V AC line voltage dimmers for incandescent and magnetic low voltage loads adjust the light with "forward phase control," where the dimmer "chops" the forward part of the AC wave to deliver less or more power to the light source. No neutral wire connection required.

120V AC Dimming: Electronic Low Voltage (ELV) Dimmers

Standard 120V AC line voltage dimmers for electronic low voltage loads adjust the light with "reverse phase control," where the dimmer "chops" the back part of the AC wave to deliver less or more power to the light source. Neutral wire connection required.

These systems are typically dimmable to 10%. LED Dimming performance may vary based on dimmer model, manufacturer, circuit wiring and circuit loading. Consult dimmer manufacture for the latest dimmer information.

Recommended Dimmers

Standard Dimmers:

- Lutron Skylark Series (Part #s S-600, S2-LH)
- Lutron Maestro Series (Part # MAW-600)
- Cooper Aspire Series (Part # 9530XXX)
- Leviton Illumitech Series (Part # IPI06-XXX)
- Leviton Trimatron Series (Part #s 6602-X, 6681-X, 6683-X, 6684-X, 700-X, and 705-X)
- Leviton SureSlide Series (Part # 6631)
- Leviton True Torch Series (Part # 6606-1LM)

Electronic Low Voltage Dimmers:

- Lutron Nova T Series (Part # NTELV-600)
- Lutron Faedra (Part # FAELV-500-XX)
- Leviton Acenti (Part # ACE06-XXX)

Dimmer maximum load rating with LED may differ from published traditional source dimmer ratings. Consult manufacturer for maximum dimmer information.

0-10V DC DIMMING (4" 1000 and 2000 SERIES; 6" 1000, 2000 and 2700 SERIES)

0-10V DC Dimming is a common type of dimming for many commercial applications. Many local codes require the contractor to separate the low and line voltage wiring in the junction box. 0-10V DC Low voltage dimming operates using two low voltage dimming wires that are separate from the 120V or 277V AC power. The 0-10V dimmer switch sends a variable output voltage to the fixture based upon the dimming level. 10V Corresponds to undimmed operation, 5V to 50% and so on. Switching on/off is controlled with the line voltage power (120V or 277V AC) input to the dimmer and then dimming operation is controlled with the 0-10V DC low voltage wiring connection between the dimmer and the LED driver. The control signal runs on two low voltage control wires (color coded violet and gray).

These systems are typically dimmable to 15%. LED Dimming performance may vary based on dimmer model, manufacturer, circuit wiring and circuit loading. Consult dimmer manufacture for the latest dimmer information.

Recommended Dimmers

- Lutron DTV
- Leviton IP710

LUTRON Hi-lume® DIMMING (4" 1000 and 2000 SERIES; 6" 1000, 2000 and 2700 SERIES)

Lutron Hi-lume® LED A-Series drivers offer high-performance, continuous dimming from 1% - 100%. For a complete list of compatible dimmers and controls, please visit www.lutron.com.

NOTES:

- Consult factory for additional dimming information.
- Testing has been performed on these dimmers, but this does not imply any warranty of compatibility.

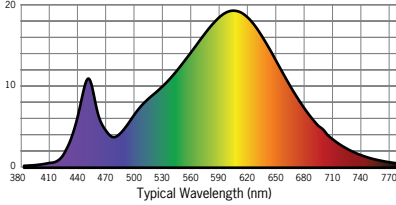
All specifications subject to change without notice.

PHOTOMETRICS

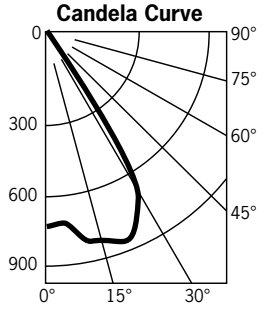
RA4LNC-I30KI2D2 with CST4322L-CLR

Designed for 50,000 Hour Lamp Life*

Light Output (Fixture Delivered Lumens): 948
Total Watts@120V: 16.5
Lumens Per Watt: 58
Color Rendering Index (CRI)¹: 84
Color Temperature (CCT)²: 3073K Warm White
Spectral Power Distribution Chart³



LM-79 Test No. 70360



Candlepower Summary

FROM 0	CANDELA	LUMENS
0	737	
5	725	71
15	802	227
25	805	364
35	419	246
45	30	27
55	9	9
65	3	3
75	1	1
85	0	0
95	0	

Intensity Distribution

DISTANCE (FT.)	FOOTCANDLES (FC)	BEAM DIAMETER (FT.)
6'	20.5	7.7
8'	11.5	10.2
10'	7.4	12.8
12'	5.1	15.3
14'	3.8	17.9
16'	2.9	20.5

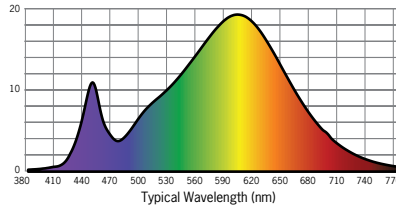
Beam Distribution: 72°
Spacing Criteria: 1.28

Photometric Report Test No. 71171

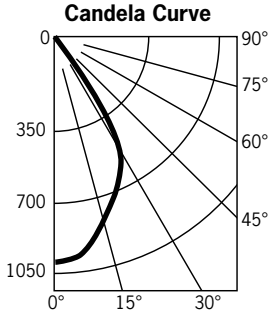
RA4LNC-I30KI2D2 with CST4322L-PL

Designed for 50,000 Hour Lamp Life*

Light Output (Fixture Delivered Lumens): 930
Total Watts@120V: 15.9
Lumens Per Watt: 59
Color Rendering Index (CRI)¹: 84
Color Temperature (CCT)²: 3071K Warm White
Spectral Power Distribution Chart³



LM-79 Test No. 70361



Candlepower Summary

FROM 0	CANDELA	LUMENS
0	952	
5	888	83
15	773	220
25	694	316
35	372	225
45	73	58
55	21	21
65	5	5
75	1	1
85	0	0
95	0	

Intensity Distribution

DISTANCE (FT.)	FOOTCANDLES (FC)	BEAM DIAMETER (FT.)
6'	26.4	6.0
8'	14.9	8.1
10'	9.5	10.1
12'	6.6	12.1
14'	4.9	14.1
16'	3.7	16.1

Beam Distribution: 68°
Spacing Criteria: 1.01

Photometric Report Test No. 70357

1. Accuracy of rendering colors
2. Color appearance of light source
3. Colors present within the light source



*Dependent on surrounding temperatures

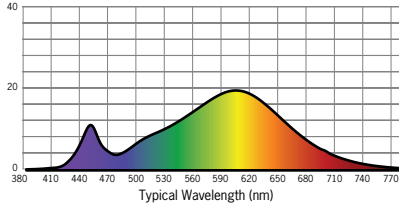
All specifications subject to change without notice.

PHOTOMETRICS

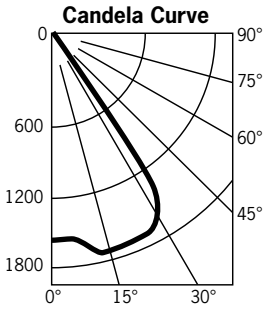
RA4LNC-230KI2D2 with CST4322L-CLR

Designed for 50,000 Hour Lamp Life*

Light Output (Fixture Delivered Lumens): 2056
Total Watts@120V: 28.6
Lumens Per Watt: 72
Color Rendering Index (CRI)¹: 83
Color Temperature (CCT)²: 3079K Warm White
Spectral Power Distribution Chart³



LM-79 Test No. 70358



Candlepower Summary

FROM 0	CANDELA	LUMENS
0	1553	
5	1519	150
15	1731	489
25	1714	783
35	924	542
45	78	64
55	24	21
65	6	6
75	2	1
85	0	0
95	0	

Intensity Distribution

DISTANCE (FT.)	FOOTCANDLES (FC)	BEAM DIAMETER (FT.)
6'	43.1	7.7
8'	24.3	10.3
10'	15.5	12.9
12'	10.8	15.5
14'	7.9	18.0
16'	6.1	20.6

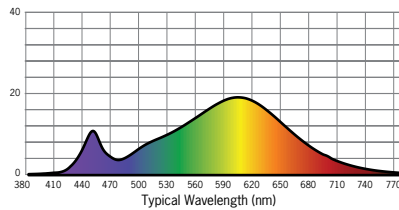
Beam Distribution: 72°
Spacing Criteria: 1.29

Photometric Report Test No. 72555

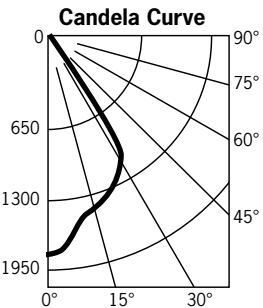
RA4LNC-230KI2D2 with CST4322L-PL

Designed for 50,000 Hour Lamp Life*

Light Output (Fixture Delivered Lumens): 1806
Total Watts@120V: 29.5
Lumens Per Watt: 61
Color Rendering Index (CRI)¹: 82
Color Temperature (CCT)²: 3080K Warm White
Spectral Power Distribution Chart³



LM-79 Test No. 70359



Candlepower Summary

FROM 0	CANDELA	LUMENS
0	1855	
5	1725	161
15	1502	428
25	1347	616
35	721	436
45	139	112
55	40	39
65	10	11
75	2	2
85	0	0
95	0	

Intensity Distribution

DISTANCE (FT.)	FOOTCANDLES (FC)	BEAM DIAMETER (FT.)
6'	51.5	6.0
8'	29.0	8.0
10'	18.5	10.0
12'	12.9	12.1
14'	9.5	14.1
16'	7.2	16.1

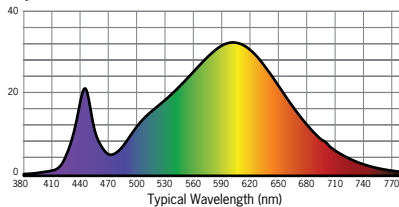
Beam Distribution: 68°
Spacing Criteria: 1.0

Photometric Report Test No. 70354

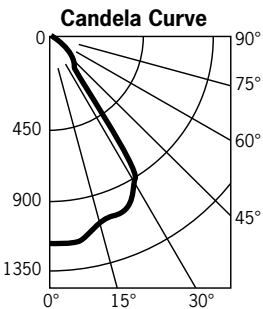
RA4LNC-230KI2D2 with CST4322L-WHT

Designed for 50,000 Hour Lamp Life*

Light Output (Fixture Delivered Lumens): 1715
Total Watts@120V: 29
Lumens Per Watt: 59
Color Rendering Index (CRI)¹: 83
Color Temperature (CCT)²: 3171K Warm White
Spectral Power Distribution Chart³



LM-79 Test No. 72290



Candlepower Summary

FROM 0	CANDELA	LUMENS
0	1229	
5	1173	110
15	1075	305
25	989	454
35	565	349
45	231	176
55	173	154
65	103	102
75	49	52
85	12	14
95	0	

Intensity Distribution

DISTANCE (FT.)	FOOTCANDLES (FC)	BEAM DIAMETER (FT.)
6'	34.1	6.6
8'	19.2	8.9
10'	12.3	11.1
12'	8.5	13.3
14'	6.3	15.5
16'	4.8	17.7

Beam Distribution: 68°
Spacing Criteria: 1.11

Photometric Report Test No. 72289

1. Accuracy of rendering colors
2. Color appearance of light source
3. Colors present within the light source

All specifications subject to change without notice.

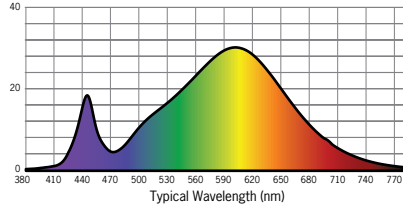
*Dependent on surrounding temperatures

PHOTOMETRICS

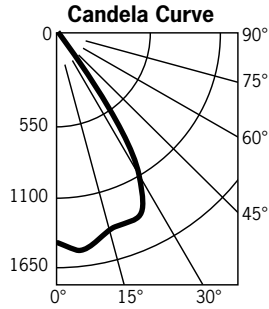
RA4LNC-230KI2D2 with CST432IL-CLR-P

Designed for 50,000 Hour Lamp Life*

Light Output (Fixture Delivered Lumens): 1595
Total Watts@120V: 29
Lumens Per Watt: 55
Color Rendering Index (CRI)¹: 82
Color Temperature (CCT)²: 3110K Warm White
Spectral Power Distribution Chart³



LM-79 Test No. 71967



Candlepower Summary

FROM 0	CANDELA	LUMENS
0	1510	
5	1542	144
15	1418	407
25	1287	587
35	367	286
45	75	60
55	48	43
65	39	37
75	23	24
85	6	7
95	0	

Intensity Distribution

DISTANCE (FT.)	FOOTCANDLES (FC)	BEAM DIAMETER (FT.)
6'	41.9	6.6
8'	23.6	8.8
10'	15.1	11.0
12'	10.5	13.2
14'	7.7	15.4
16'	5.9	17.6

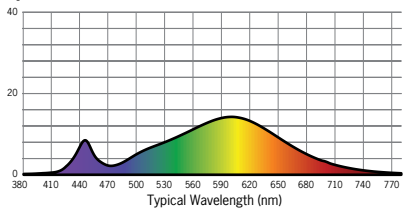
Beam Distribution: 66°
Spacing Criteria: 1.10

Photometric Report Test No. 71965

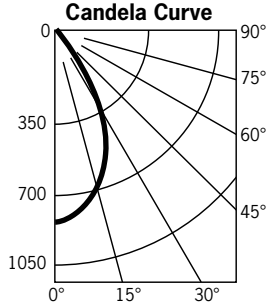
RA4LNC-230KI2D2 with CTR4323L-CLR

Designed for 50,000 Hour Lamp Life*

Light Output (Fixture Delivered Lumens): 876
Total Watts@120V: 28.7
Lumens Per Watt: 31
Color Rendering Index (CRI)¹: 81
Color Temperature (CCT)²: 3168K Warm White
Spectral Power Distribution Chart³



LM-79 Test No. 72140



Candlepower Summary

FROM 0	CANDELA	LUMENS
0	812	
5	907	76
15	931	196
25	778	239
35	479	180
45	236	99
55	131	52
65	61	24
75	16	8
85	3	3
95	0	

Footcandles on Wall

Distance from Ceiling	Single Unit					
	0'	1'	2'	3'	4'	5'
1'	3	2	1	0	0	0
2'	8	6	3	1	0	0
3'	9	8	4	2	1	0
4'	10	8	5	3	1	1
5'	9	8	5	3	1	1
6'	7	7	5	3	2	1
7'	6	5	4	3	2	1
8'	4	4	3	3	2	1
9'	3	3	3	2	2	1

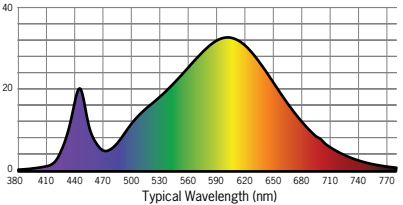
▲
beam center

Photometric Report Test No. 72139

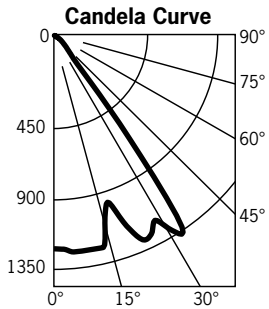
RA4LNC-230KI2D2 with CTR4326L-CLR-P

Designed for 50,000 Hour Lamp Life*

Light Output (Fixture Delivered Lumens): 1730
Total Watts@120V: 29
Lumens Per Watt: 60
Color Rendering Index (CRI)¹: 82
Color Temperature (CCT)²: 3138K Warm White
Spectral Power Distribution Chart³



LM-79 Test No. 71966



Candlepower Summary

FROM 0	CANDELA	LUMENS
0	1258	
5	1280	122
15	1107	326
25	1256	587
35	628	461
45	105	84
55	53	49
65	29	29
75	14	16
85	5	6
95	5	

Intensity Distribution

DISTANCE (FT.)	FOOTCANDLES (FC)	BEAM DIAMETER (FT.)
6'	34.9	8.0
8'	19.7	10.6
10'	12.6	13.3
12'	8.7	15.9
14'	6.4	18.6
16'	4.9	21.2

Beam Distribution: 70°
Spacing Criteria: 1.30

Photometric Report Test No. 71563

1. Accuracy of rendering colors
2. Color appearance of light source
3. Colors present within the light source



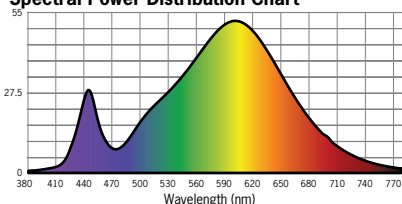
*Dependent on surrounding temperatures

All specifications subject to change without notice.

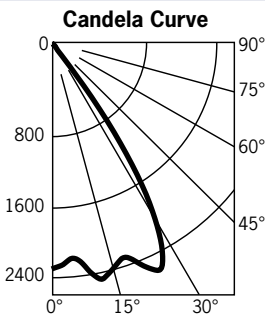
PHOTOMETRICS

RA6LNC630KI2D2/CST6322L2-CLR

Light Output (Fixture Lumens): 2708
Total Watts@120V: 44.3
Lumens Per Watt: 61
Color Rendering Index (CRI)¹: 81
Color Temperature (CCT)²: 3078K Warm White
Spectral Power Distribution Chart³



LM-79 Test No. 72433



Candlepower Summary

FROM 0	CANDELA	LUMENS
0	2265	
5	2172	213
15	2351	662
25	2516	1104
35	1094	647
45	57	47
55	25	23
65	8	8
75	2	2
85	0	0
95	0	

Intensity Distribution

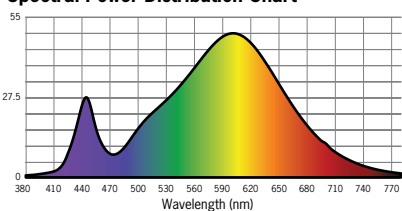
DISTANCE (FT.)	FOOTCANDLES (FC)	BEAM DIAMETER (FT.)
6'	62.9	7.4
8'	35.4	9.9
10'	22.6	12.3
12'	15.7	14.8
14'	11.6	17.3
16'	8.8	19.7

Beam Distribution: 69°
Spacing Criterion: 1.0

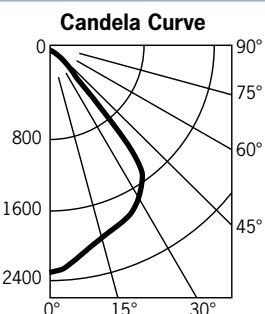
Photometric Report Test No. 72431

RA6LNC630KI2D2/CST6322L2-PL

Light Output (Fixture Lumens): 2574
Total Watts@120V: 44.3
Lumens Per Watt: 58
Color Rendering Index (CRI)¹: 81
Color Temperature (CCT)²: 3091K Warm White
Spectral Power Distribution Chart³



LM-79 Test No. 72434



Candlepower Summary

FROM 0	CANDELA	LUMENS
0	2310	
5	2222	208
15	1977	559
25	1801	825
35	1294	697
45	240	189
55	77	73
65	17	18
75	4	4
85	0	0
95	0	

Intensity Distribution

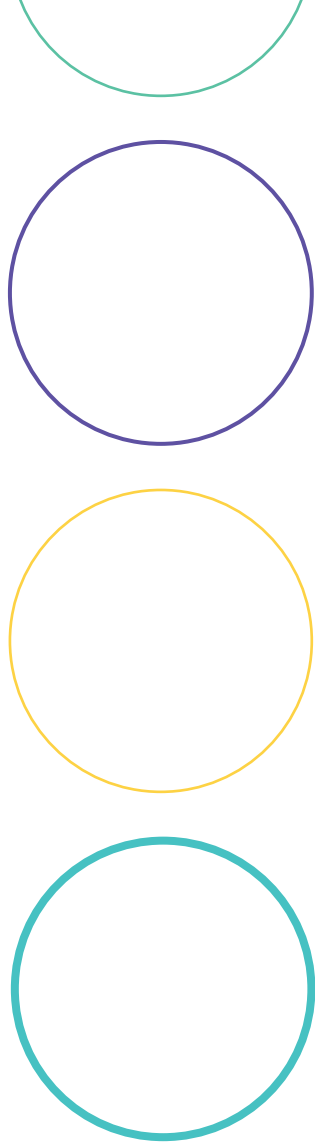
DISTANCE (FT.)	FOOTCANDLES (FC)	BEAM DIAMETER (FT.)
6'	64.2	6.5
8'	36.1	8.6
10'	23.1	10.8
12'	16.0	13.0
14'	11.8	15.1
16'	9.0	17.3

Beam Distribution: 71°
Spacing Criterion: 1.0

Photometric Report Test No. 72432

1. Accuracy of rendering colors
2. Color appearance of light source
3. Colors present within the light source

*Dependent on surrounding temperatures



4" & 6" LED DOWNLIGHT

SPECIFICATION GRADE LED RECESSED DOWNLIGHTS

CONTECH
LIGHTING

2783 Shermer Road
Northbrook, Illinois 60062
www.contechlighting.com

All specifications subject to change without notice.



 **ecoTECHNOLOGY**
sustainable energy solutions

LIT46LED13