

CATALOG NO. _____

TYPE NO. _____

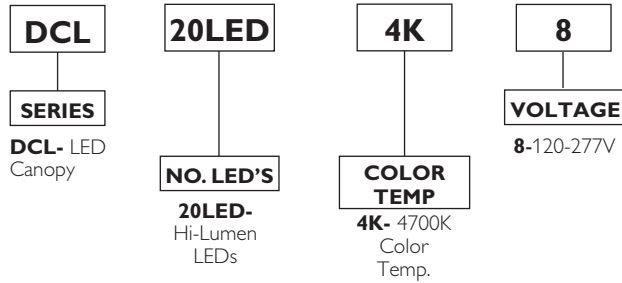
JOB NAME _____

Designer Canopy LED



ORDERING INFORMATION

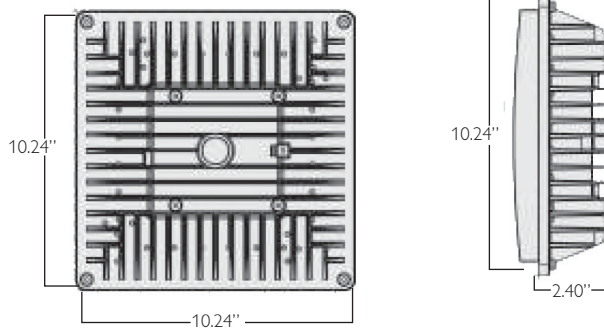
Catalog Number: Example: DCL20LED4K-8



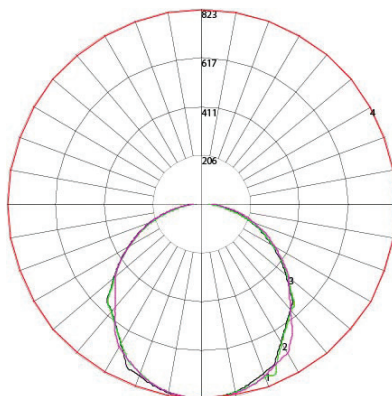
PRODUCT SPECIFICATIONS

- Perfect for hard to service locations
- Ideal for strip-malls, entry ways, garages and plazas.
- Designed to replace up to an existing 100W M.H. system
- Rugged die cast design insures LEDs operate at optimum temperature for long life.
- Continuous silicone rubber gasket between housing and lens/cover
- Architectural bronze UV resistant outdoor powder paint
- Quality long life CREE XPE LEDs
- Low Tj for long life, low lumen depreciation
- Input power - approx. 35 watts
- Delivered lumens output - 2,200
- Lumens per watt (Efficacy): 63
- Operating temperature: -25°C (-13°F) to 35°C (95°F)
- Color temperature 4700K
- Voltage: 120-277V 50/60H
- UL/CUL listed for wet locations
- 5 Year System Warranty

TECHNICAL INFORMATION



PHOTOMETRICS



CHARACTERISTICS

IES Classification
 Longitudinal Classification
 Cutoff Classification (deprecated)
 Total Rated Lamp Lumens
 Maximum Candela
 Maximum Candela Angle
 Maximum Candela @ 90° Vertical
 Maximum Candela from 80 to <90° Vertical
 Downward Total Efficiency
 Total Luminaire Watts
 Ballast Factor

Type II
 Very Short
 Cutoff
 2639
 822.79
 330H 2.5V
 40.28 (1.5% Lamp Lms)
 130.15 (4.9% Lamp Lms)
 90.1%
 36
 0.98

Maximum Candela = 822.79 Located at Horizontal Angle = 330, Vertical = 2.5
 #1 - Vertical Plane Through Horizontal Angles (0-180)
 #2 - Vertical Plane Through Horizontal Angles (90-270)
 #3 - Vertical Plane Through Horizontal Angles (45-255)
 #4 - Horizontal Cone Through Vertical Angle (2.5) (Through Max. Cd.)

