

## DESCRIPTION

Eon 303 - W1 and 303 - W2 are compact, low profile, dimmable, ADA compliant LED luminaires. Model 303 - W1 provides either uplight or downlight depending upon how it is mounted. Model 303 - W2 provides both uplight and downlight simultaneously. Dimming is achieved with a standard ELV reverse phase dimming driver or, for the 303 - W1 model only, an optional 0 - 10V dimming driver. Both models mount directly to any wall surface over a standard 4" jbox and come standard with a universal input LED driver (120 - 277V, 50/60 Hz). Both fixtures may be used indoors or outdoors and carry an IP66 rating.

Catalog #		Type
Project		
Comments		Date
Prepared by		

## SPECIFICATION FEATURES

### A ... Material

Head and backplate are precision-machined from corrosion-resistant 6061-T6 aluminum, C360 brass, C932 bronze, C110 copper or 303/304 stainless steel.

### B ... Finish

Fixtures constructed from aluminum are double protected by a RoHS compliant chemical film undercoating and polyester powdercoat paint finish, surpassing the rigorous demands of the outdoor environment. A variety of standard colors are available. Aluminum fixtures can also be brushed and clear coat painted.

### Brass, Bronze, Copper or Stainless Steel

Fixtures constructed from brass, bronze, copper or stainless steel are left unpainted to reveal the natural beauty of the material. Brass, bronze and copper will patina over time.

### C ... Gasket

The backplate is sealed with a high temperature silicone gasket to prevent water intrusion into the jbox.

### D ... Lens

Diffused, tempered glass lens, factory sealed with high temperature adhesive to prevent water intrusion and breakage due to thermal shock. EDGE LIT option: when specified with the EDGE option, the glass will be slightly thicker, diffused, tempered and sealed in the same manner referenced above. The added glass thickness will offer a brighter line of light around the edge of the glass that will accentuate the fixture's aesthetics and styling.

### E ... Mounting

Both models mount directly to a standard 4" jbox. Model 303 - W1 provides downlight or uplight. Model 303 - W2 provides non-adjustable uplight and downlight.

### F ... Hardware

Stainless steel hardware is standard to provide maximum corrosion-resistance.

### G ... Electrical

Both models comes standard with a universal input LED driver (120-277, 50/60Hz). The standard driver is ELV reverse phase dimmable. For the single head model only, 303 - W1, an optional 0 - 10V dimming driver is also available.

### H ... LED

LEDs are included and available in three color temperatures (2700K, 3000K & 4000K) and a variety of optics. Both color temperature and distribution must be specified when ordering - see reverse side for details and catalog logic. For the up and down model, 303 - W2, the uplight is always a T5X, type V extra wide flood. The specified distribution (T2, T4 or T5) is associated with the downlight.

### I ... Labels & Approvals

UL and cUL listed, standard wet label. IP66 rated.

### J ... Warranty

Lumiere warrants its fixtures against defects in materials & workmanship for five (5) years. Auxiliary equipment such as transformers, ballasts and LED drivers carry the original manufacturer's warranty.



**EON**

**303-W1/303-W2**

8.8 W LED  
17.6 W LED

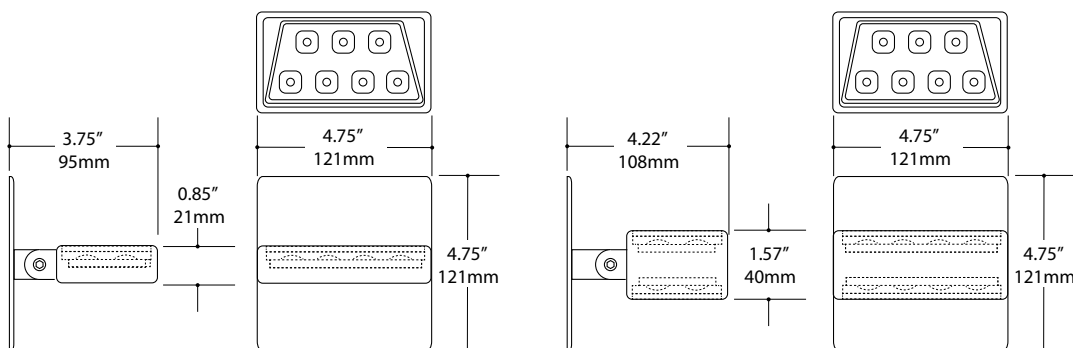
LED

WALL

**IP66**

303-W1

303-W2



**LED INFORMATION**

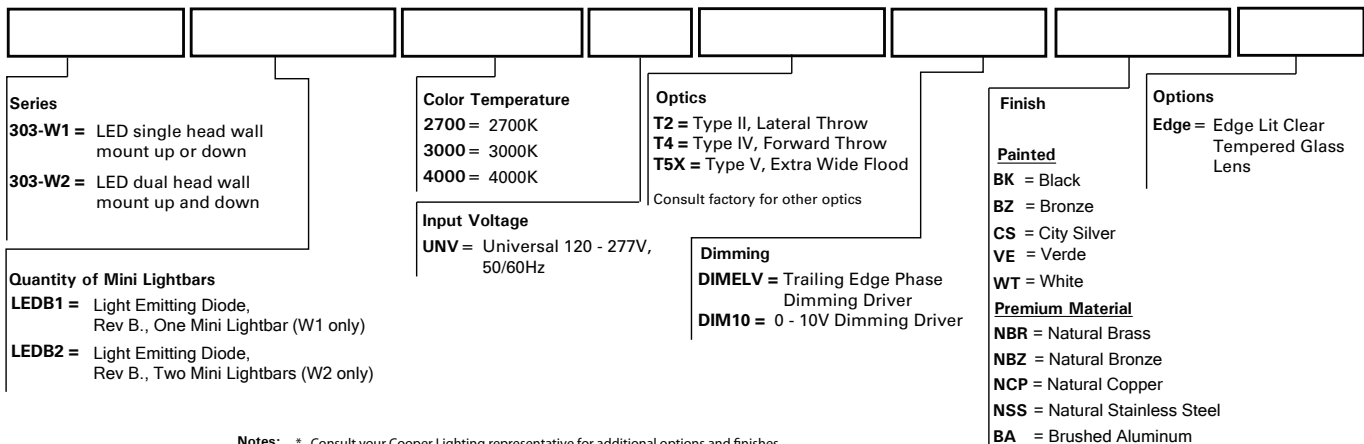
LED	Watts	Distribution	Total Lumens	CRI	°K	Life (hrs.)	Volts
T2, 2700K	8.8	Type II - Lateral Throw	364	95	2700	50000	120V - 277V, 50/60 Hz
T2, 3000K	8.8	Type II - Lateral Throw		85	3000	50000	120V - 277V, 50/60 Hz
T2, 4000K	8.8	Type II - Lateral Throw	607	65	4000	50000	120V - 277V, 50/60 Hz
T4, 2700K	8.8	Type IV - Forward Throw	340	95	2700	50000	120V - 277V, 50/60 Hz
T4, 3000K	8.8	Type IV - Forward Throw		85	3000	50000	120V - 277V, 50/60 Hz
T4, 4000K	8.8	Type IV - Forward Throw	566	65	4000	50000	120V - 277V, 50/60 Hz
T5X, 2700K	8.8	Type V - Flood	381	95	2700	50000	120V - 277V, 50/60 Hz
T5X, 3000K	8.8	Type V - Flood		85	3000	50000	120V - 277V, 50/60 Hz
T5X, 4000K	8.8	Type V - Flood	635	65	4000	50000	120V - 277V, 50/60 Hz
T2, 2700K	17.6	Type II - Lateral Throw	745	95	2700	50000	120V - 277V, 50/60 Hz
T2, 3000K	17.6	Type II - Lateral Throw		85	3000	50000	120V - 277V, 50/60 Hz
T2, 4000K	17.6	Type II - Lateral Throw	1242	65	4000	50000	120V - 277V, 50/60 Hz
T4, 2700K	17.6	Type IV - Forward Throw	721	95	2700	50000	120V - 277V, 50/60 Hz
T4, 3000K	17.6	Type IV - Forward Throw		85	3000	50000	120V - 277V, 50/60 Hz
T4, 4000K	17.6	Type IV - Forward Throw	1201	65	4000	50000	120V - 277V, 50/60 Hz
T5X, 2700K	17.6	Type V - Flood	762	95	2700	50000	120V - 277V, 50/60 Hz
T5X, 3000K	17.6	Type V - Flood		85	3000	50000	120V - 277V, 50/60 Hz
T5X, 4000K	17.6	Type V - Flood	1270	65	4000	50000	120V - 277V, 50/60 Hz

**NOTES AND FORMULAS**

- Apply appropriate light loss factors where necessary.
- Photometry is LM-79 compliant.

**ORDERING INFORMATION**

Sample Number: 303 - W2 - LEDB2 - 3000 - UNV - T2 - BA



Notes: \* Consult your Cooper Lighting representative for additional options and finishes