

Solais Lighting | LRP20 LED Lamp

Solais LED PAR20 Lamp Replacement

Product Description: The Solais passive LED PAR20 lamp replacement offers a unique solution for traditional lighting sources – providing the incandescent performance, light output and aesthetics with our recessed OPTICS2 patent-pending technology.

Performance Summary: Fully dimmable | Halogen PAR form factor (ANSI compliant) | Lightest LED lamps on the market | Certified to UL Standard 1993 | RoHS-compliant | Contain no lead or mercury | Wet location rating

Application: Designed for use in track and recessed fixtures (including IC rated housing)

Voltage 120v Standard

CCT: 2700K, 3000K, 3500K*, 4000K*

Dimmable: Yes - Visit solais.com/dimming.php for compatibility list

Life: 50,000 Hours (L70)

Power Factor: .92

Base Type: E26, GU24*

Weight (oz.): 5.7



Product Code	Power (Watts)	Beam Angle	CCT (K)	Lumen Output	CBCP (cd)	CRI
LRP20/40/30K	7	40°	3000	500	770	85
LRP20/40/27K	7	40°	2700	475	700	85

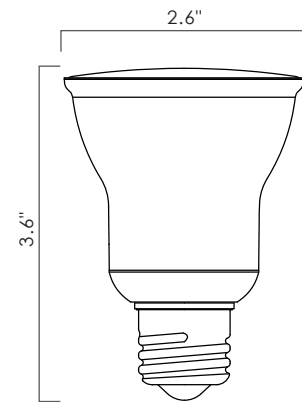
Ordering Information

Example: LRP20/40/30K

LRP20 / 40 /		
Form Factor (PAR20) LRP20	Beam Spread 40	CCT 27K 30K 35K* 40K*

* Made to Order

Lamp Images

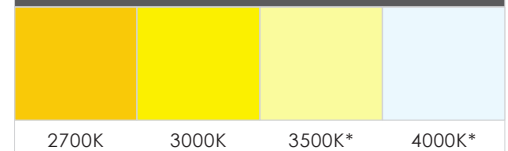


Beam Angles



40°

Color Temperature



2700K

3000K

3500K*

4000K*

Housing Colors



Silver

Solais Lighting | LRP20 LED Lamp

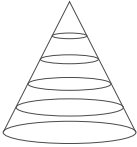
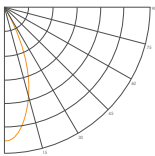
OPTICS²TM
powered by SOLAIS

OPTICS2 involves a recessed primary optic and surface secondary optic that allows Solais LRP lamps to duplicate the exact performance and aesthetics of incandescents.

THEROTTLETM
powered by SOLAIS

Thermal Throttle – In the event that Solais LEDs become overheated, they will dim themselves to protect your technology investments.

40° (Wide Flood) | 500 lumens

Candela Distribution	Degree	Candela		0° Aiming Angle Horizontal Footcandles		
				Distance to Floor	Beam Diameter	Avg. Beam Illuminance on Floors (FC)
	0	770		6'	4.4'	18
	5	761		8'	5.8'	10
	15	627		10'	7.3'	7
	25	252		12'	8.7'	5
	35	98		14'	10.2'	3
	45	38				

Multipliers are as follows: 475 lumens: 0.91

LIMITED WARRANTY: Solais Lighting warrants that our lamps and fixtures will operate for a period of five (5) years from the date of purchase or 25,000 hours, whichever comes first, when used in accordance with package and lamp directions. If your Solais product does not last for the warranty period, please send your name and address, the product you are returning, register receipts and proof of purchase to the address listed on our website. This limited warranty does not cover products subject to misuse, electrical current fluctuation, accident, neglect, or acts of God. THIS REPLACEMENT OR REPAIR IS THE SOLE WARRANTY OBLIGATION OF SOLAIS AND IS IN LIEU OF ALL OTHER WARRANTIES, EXPRESS OR IMPLIED, INCLUDING ANY WARRANTY OF MERCHANTABILITY OR FITNESS FOR A PARTICULAR PURPOSE. LIABILITY FOR INCIDENTAL AND CONSEQUENTIAL DAMAGES EXCLUDED.

For complete warranty terms and conditions, please see: www.solais.com/warranty

WARNING: Not for use in fully enclosed luminaires. Risk of electric shock. Suitable for WET locations. This device is not intended for use with emergency exit fixtures or emergency exit lights. May not be compatible with all dimmers; please visit solais.com/dimming for up-to-date dimmer compatibility information.

NOTES: This device complies with Part 15 of the FCC Rule. This product may cause interference with other devices. If interference occurs, change the locations of the products involved. **Compatible on 120v systems.**