

Solais Lighting | Xi24 LED Lamp

Solais LED PAR24 Track Fixture

Product Description: The Solais active LED 3-inch diameter track fixture excels in high-performance lighting applications that demand the lumen output, center beam candle power and color rendering needed in high-end retail and commercial applications.

Performance Summary: Fully dimmable | Certified to UL Standard 1993 | RoHS-compliant | Contain no lead or mercury | Dry location rating

Application: Designed for use in track (surface, pendant or troffer mounted)

Voltage: 120 V Standard

Dimmable: Yes - Visit solais.com/dimming.php for compatibility list

Life: 50,000 Hours (L70)

Power Factor: .92

Track Type: J-type, L-type, H-type, G-type*

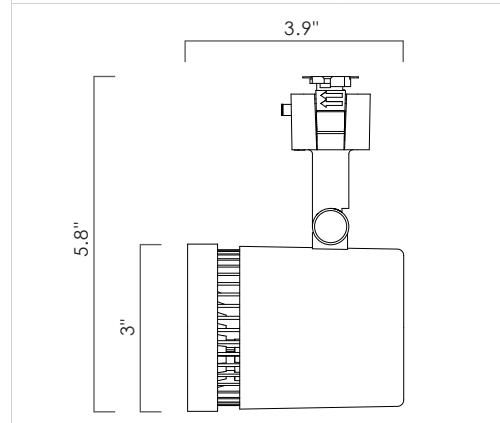
Weight (oz.): 12.8



Product Code	Power (Watts)	Beam Angle	CCT (K)	Lumen Output	CBCP (cd)	CRI	ENERGY STAR®
Xi24/15/30K/2000/_/_/_/_	28	15°	3000	2000	16400	85	
Xi24/25/30K/2000/_/_/_/_	28	25°	3000	2000	10200	85	
Xi24/40/30K/2000/_/_/_/_	28	40°	3000	2000	4000	85	
Xi24/15/27K/1900/_/_/_/_	28	15°	2700	1900	15600	85	
Xi24/25/27K/1900/_/_/_/_	28	25°	2700	1900	9700	85	
Xi24/40/27K/1900/_/_/_/_	28	40°	2700	1900	3800	85	
Xi24/15/30K/1600/_/_/_/_	22	15°	3000	1600	13100	85	
Xi24/25/30K/1600/_/_/_/_	22	25°	3000	1600	8150	85	
Xi24/40/30K/1600/_/_/_/_	22	40°	3000	1600	3200	85	
Xi24/15/27K/1500/_/_/_/_	22	15°	2700	1500	12300	85	
Xi24/25/27K/1500/_/_/_/_	22	25°	2700	1500	7650	85	
Xi24/40/27K/1500/_/_/_/_	22	40°	2700	1500	3000	85	

Housing Color: White (WH), Silver (SL), and Black (BK)

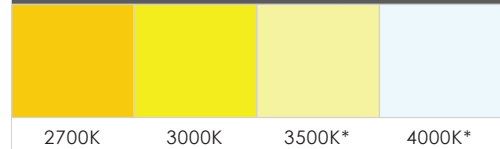
Fixture Images



Beam Angles



Color Temperature



Housing Colors



Ordering Information

Example: Xi24/25/30k/2000/WH/J/SN

Xi24	/	/	/	/	/	/
Form Factor Xi24		Beam Spread 15 25 40	CCT / Lumens 27K / 1500 27K / 1900 30K / 1600 30K / 2000 35K* / 1600 35K* / 2000 40K* / 1600 40K* / 2000	Housing Color WH - White SL - Silver BK - Black	Track Type J L H G*	Accessories See Accessory Sheet

* Made to Order

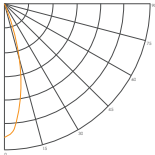
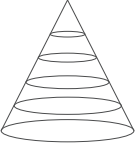
Solais Lighting | Xi24 LED Lamp



Luxiance utilizes active cooling to remove heat from the LED system - allowing Solais LED lamps to operate cooler, resulting in superior life, light output, and performance.



Thermal Throttle – In the event that Solais LEDs become overheated, they will dim themselves to protect your technology investments.

15° (Spot) 1600 lumens						
Candela Distribution	Degree	Candela		0° Aiming Angle Horizontal Footcandles		
				Distance to Floor	Beam Diameter	Avg. Beam Illuminance on Floors (FC)
	0	13100		6'	1.6'	304
	5	10512		8'	2.1'	171
	15	1009		10'	2.6'	109
	25	74		12'	3.1'	76
	35	31		14'	3.7'	56
	45	29				
Multipliers are as follows: 1900 lumens: 0.95 1600 lumens: 0.80 1500 lumens: 0.75						
25° (Narrow Flood) 2000 lumens						
Candela Distribution	Degree	Candela		0° Aiming Angle Horizontal Footcandles		
				Distance to Floor	Beam Diameter	Avg. Beam Illuminance on Floors (FC)
	0	10200		6'	2.3'	218
	5	8862		8'	3.1'	123
	15	2511		10'	3.9'	79
	25	248		12'	4.7'	55
	35	81		14'	5.5'	40
	45	58				
Multipliers are as follows: 1900 lumens: 0.95 1600 lumens: 0.80 1500 lumens: 0.75						
40° (Wide Flood) 2000 lumens						
Candela Distribution	Degree	Candela		0° Aiming Angle Horizontal Footcandles		
				Distance to Floor	Beam Diameter	Avg. Beam Illuminance on Floors (FC)
	0	4000		6'	4.4'	96
	5	3956		8'	5.8'	54
	15	3256		10'	7.3'	34
	25	1309		12'	8.7'	24
	35	509		14'	10.2'	18
	45	198				
Multipliers are as follows: 1900 lumens: 0.95 1600 lumens: 0.80 1500 lumens: 0.75						

LIMITED WARRANTY: Solais Lighting warrants that our lamps and fixtures will operate for a period of five (5) years from the date of purchase or 25,000 hours, whichever comes first, when used in accordance with package and lamp directions. If your Solais product does not last for the warranty period, please send your name and address, the product you are returning, register receipts and proof of purchase to the address listed on our website. This limited warranty does not cover products subject to misuse, electrical current fluctuation, accident, neglect, or acts of God. THIS REPLACEMENT OR REPAIR IS THE SOLE WARRANTY OBLIGATION OF SOLAIS AND IS IN LIEU OF ALL OTHER WARRANTIES, EXPRESS OR IMPLIED, INCLUDING ANY WARRANTY OF MERCHANTABILITY OR FITNESS FOR A PARTICULAR PURPOSE. LIABILITY FOR INCIDENTAL AND CONSEQUENTIAL DAMAGES EXCLUDED.

For complete warranty terms and conditions, please see: www.solais.com/warranty

WARNING: Not for use in fully enclosed luminaires. Risk of electric shock. Use in an indoor, dry location only. This device is not intended for use with emergency exit fixtures or emergency exit lights. May not be compatible with all dimmers; please visit solais.com/dimming for up-to-date dimmer compatibility information.

NOTES: This device complies with Part 15 of the FCC Rule. This product may cause interference with other devices. If interference occurs, change the locations of the products involved. **Compatible on 120v systems.**