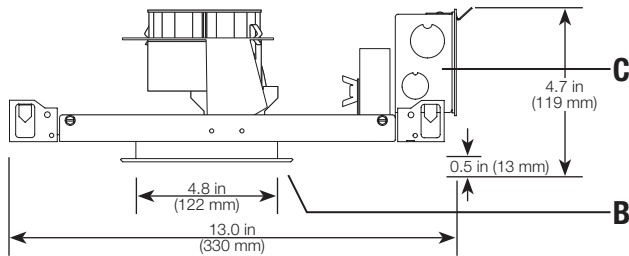




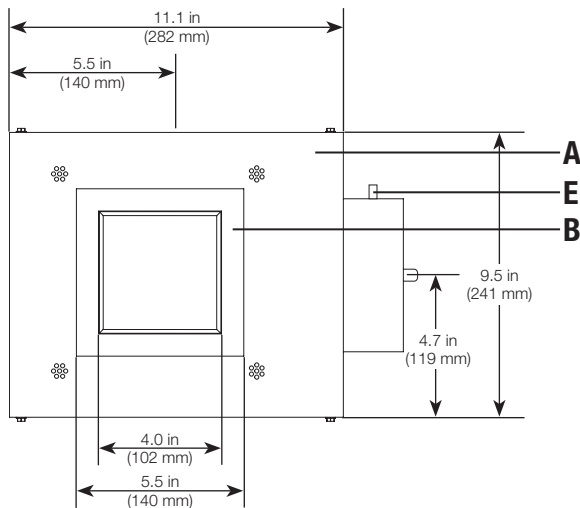
DIMENSIONS

SIDE VIEW

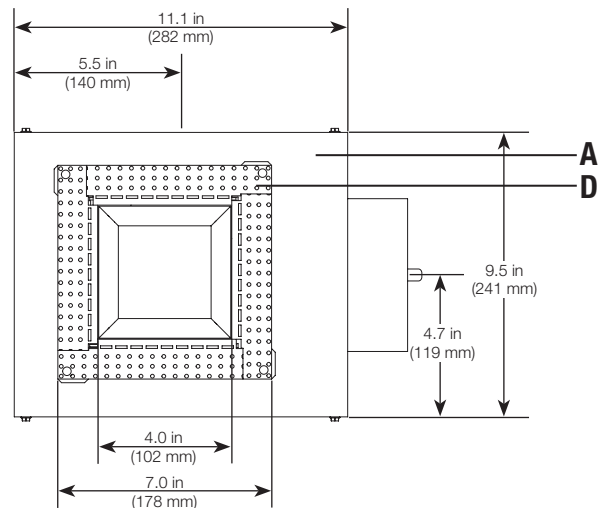


A Frame
B Trim
C Junction Box
D Mud Ring[†]
E Thermal Protection
*Lutron® Hi-lume® A-Series
Driver not shown*

BOTTOM VIEW (Trimmed)



BOTTOM VIEW (Trimless)



PRINCIPAL FEATURES

- Xicato LED modules.
- 83 CRI (typical) or 98 CRI (typical).
- Powerful LED module in elegant square trim with excellent cutoff.
- Standard Lutron® Hi-lume® A-Series LED Driver delivers continuous, flicker-free dimming from 100% down to 1% of measured light output.
- 50,000 hours rated LED system life (LED and driver) at 77 °F (25 °C) ambient.
- 30°, 40° and 50° beam angles available.
- Trim supports a variety of lens/accessory options.
- IC fixtures must be used for installations containing insulating materials. Non-IC fixtures cannot be used in this type of application.
- Frame constructed of 20 gauge steel.

- Supplied with 14 in to 24 in (356 mm to 610 mm) adjustable bar hangers.
- UL and cUL Listed.
- Housings finished with reclaimed black powder coat.
- Thermal protection device standard.
- Adjustable mounting brackets can be mounted on any side of the fixture.
- RoHS compliant.
- Field replaceable components:
 - Beam angle reflector
 - Lutron® LED driver
 - LED module with integrated heat sink
 - Decorative trim/lens
- 2-Wire forward phase and HomeWorks® QS EcoSystem® controls are generally for residential applications. 3-Wire and EcoSystem® controls are generally for commercial applications.

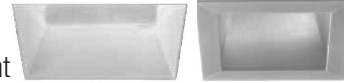
SPECIFICATIONS

Operating Temperature: 32 °F to 104 °F (0 °C to 40 °C)
Decibel Rating: Quiet in a 25 dB room
Max Ceiling Thickness: 2.0 in (50 mm)
Mud Ring Thickness[†]: 0.125 in (3 mm)
Ceiling Cutout: 4.9 in x 4.9 in (124 mm x 124 mm)
Fixture Weight: 4.0 lb (1.8 kg)
Fixture Size: 13.0 in x 9.5 in x 4.7 in (323 mm x 241 mm x 119 mm)
Junction Box Size: 4.9 in x 3.1 in x 1.75 in (124 mm x 79 mm x 44 mm). See NEC chart 314.16A for box fill/wiring capacity.

COMPATIBLE CONTROLS

Visit www.lutron.com/finire

[†] Mud ring is for trimless fixtures only.



ORDERING GUIDES

BASE UNIT CONFIGURATION

Select appropriate code in each column to complete model number.
Example:

FDT4SN 15 35 40 F1 B2 XX - R04A4 MW SO XX

SERIES	LED TYPE	TEMP	BEAM	CONTROL	HANGING	CEILING	TRIM	FINISH	LENS	OPTIONS
FDT4SN Finire 4 in Trimmed Non-IC Square Downlight	15 15 W 700 lm 83 CRI ¹	27 2700 K	30 30° Beam Spread	F1 2-Wire Forward Phase 120 V~	B2 14 in to 24 in (356 mm to 610 mm) Adjustable Bar Hangers	XX Standard	R04A4 Trimmed Square Downlight ²	MW Matte White	FG Frosted Glass	XX None (Standard)
FDZ4SN Finire 4 in Trimless Non-IC Square Downlight	1A 15 W 700 lm 98 CRI ^{1,3}	30 3000 K	40 40° Beam Spread	31 3-Wire 120 V~		10 1 in (25 mm)	R4004 Trimmed Square Pin Hole Downlight ³	BL Matte Black	SO Micro Prism Solite™	WL Wet Location ⁴
	22 22 W 1000 lm 83 CRI ¹	35 3500 K	50 50° Beam Spread	37 3-Wire 277 V~		15 1.5 in (38 mm)	Z04A4 Trimless Square Downlight ³	SG Stainless ⁶	CG Clear Glass	FQ Square Frosted Glass ^{2,5}
	2A 18 W 850 lm 98 CRI ¹			E1 EcoSystem® 120 V~		20 2 in (51 mm)		RB Bronze ⁶		
				E7 EcoSystem® 277 V~						

¹ All Lumen and CRI values typical. Typical Lumen values are derived from Downlight photometric data.
² Applicable to FDT4SN series only.
³ Applicable to FDZ4SN series only.
⁴ For use in covered interior ceilings only.
⁵ Decorative trim.
⁶ Metallic Paint.

TITLE 24 compliant = Title 24 Compliant Configurations highlighted in gray

NOTE: Housing and trim assemblies can be purchased or shipped separately.
For more information, please contact fixtures@lutron.com or contact Fixtures Customer Service at 610.282.7472.



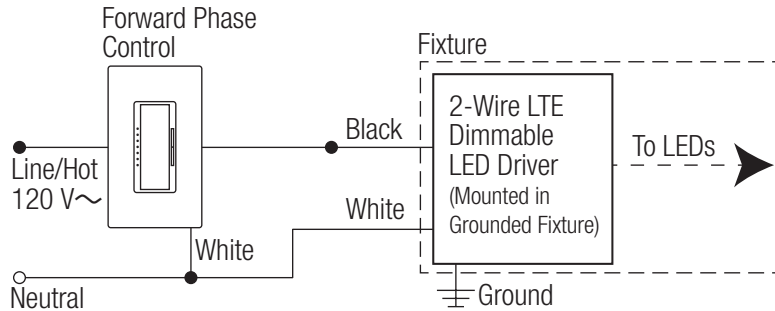
PHOTOMETRIC DATA

LED TYPE	80 CRI					
	22			15		
BEAM ANGLE	40°			40°		
MODEL NUMBER	FD_4S_222740			FD_4S_152740		
LIGHT OUTPUT (lm)	1038			742		
WATTAGE (W)	22.9			15.5		
EFFICACY (lm/W)	45.3			44.8		
COLOR ACCURACY CRI	80.5			80.7		
COLOR TEMPERATURE	2700 K			2700 K		
CANDELA PLOT (NADIR)						
CONE OF LUMINANCE	Height (ft)	Nadir (fc)	50% Lighted Diameter (ft)	Height (ft)	Nadir (fc)	50% Lighted Diameter (ft)
	4 ft (122 cm)	78.1	3.2	4	52.9	3.4
	6 ft (183 cm)	34.7	4.8	6	23.5	5.0
	8 ft (244 cm)	19.5	6.5	8	13.2	6.7
	10 ft (305 cm)	12.5	8.1	10	8.5	8.4
	12 ft (366 cm)	8.7	9.7	12	5.9	10.1
	14 ft (427 cm)	6.4	11.3	14	4.3	11.8
	16 ft (488 cm)	4.9	12.9	16	3.3	13.5

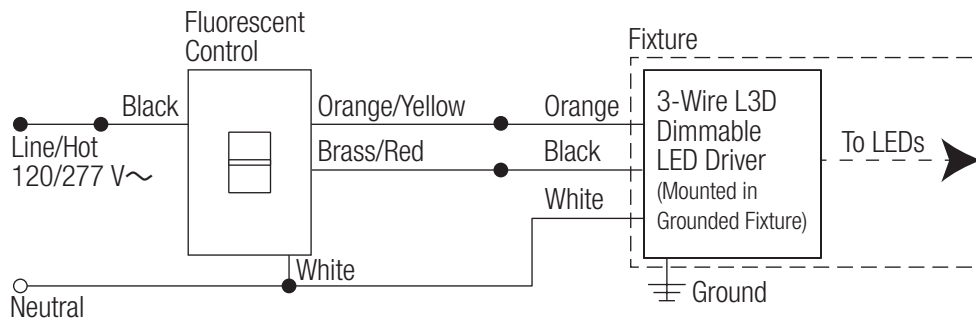


CIRCUIT DIAGRAMS

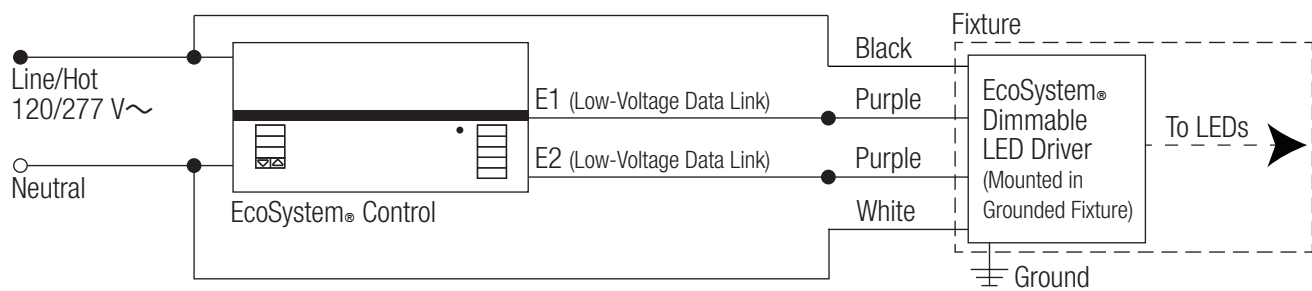
2-WIRE FORWARD PHASE CONTROL (120 V~ ONLY)



3-WIRE CONTROL (120 – 277 V~)



EcoSystem® DIGITAL CONTROL (120 – 277 V~)



- Contact Fixture Customer Service for custom mounting options at fixtures@lutron.com
- For a list of compatible controls and control ratings, visit www.lutron.com/finire or contact the LED Control Center of Excellence at 1.877.DIM.LED8 or leds@lutron.com



IVALO, IVALO Lighting, and Finiré are registered trademarks and Lutron Ivalo Collection is a trademark of IVALO Lighting, Inc. Lutron, EcoSystem, Hi-lume, and  are registered trademarks of Lutron Electronics Co., Inc.

©2014 Lutron Electronics Co., Inc.

IVALO Lighting Incorporated
7136 Suter Road, Coopersburg, PA 18036
Telephone 610.282.7472 Fax 610.282.7600
fixtures@lutron.com

For full 5-year warranty details, see
www.lutron.com/TechnicalDocumentLibrary/3683454.pdf

Specification subject to change without notice