

DESCRIPTION

682-WP "Floating" Wedge Wall Sconce features bronze construction and is available in two sizes.

Catalog #		Type
Project		
Comments		Date
Prepared by		

SPECIFICATION FEATURES

Material

Painted aluminum or solid bronze. 1/8" white acrylic diffuser for CFL/ Incandescent and clear tempered refractive glass for MH. Optional clear tempered glass for full cut-off.

Finish

Premium TGIC polyester powder coat paint, 2.5 mil nominal thickness for superior protection against fade and wear. Standard: Natural Bronze (NBZ) [Sustainable Design]. Note: Bronze will weather to a dark bronze patina. Premium: Aluminum Paint (ALP), Black Paint (BK), Bronze Metallic Paint (BM), Dark Platinum Paint (DP), Gold Metallic Paint (GM), Graphite Metallic Paint (GRM), Grey Paint (GY), Verdigris (VG), White Paint (WH) or Custom Color (CC).

Optics

Refer to www.shaperlighting.com for complete photometrics.

Ballast

Integral electronic HPF multi-volt 120/277V (347V Canada), thermally protected with end-of-life circuitry to accommodate 26W, 32W or 42W

lamps. Metal halide ballasts are HPF open core & coil type, multi-volt 120/277V for the specified lamp wattage. Contact the factory for 347V.

Lamp/Socket

8": One (1) or two (2) 26W or 32W (GX24q-3) triple CFL lamp(s), one (1) 42W (GX24q-4) triple CFL lamp, or one (1) 75W A-19 lamp.
11": Two (2) 26W, 32W (GX24q-3) or 42W (GX24q-4) triple CFL lamps, one (1) 50W, 70W or 100W ED-17 Metal halide lamp or one (1) 100W A-19 lamp.
CFL socket injection molded plastic. INC socket fired ceramic rated for 660W-250V. MH socket ceramic pulse-rated, 4KV. INC socket fired ceramic rated for 660W/250V. Lamps furnished by others.

LED

8" L0:1000 nominal lumens at max 15.5W

Long-life LED system coupled with electrical driver to deliver optimal performance. Electronic drivers are available for 120-277 applications. The standard driver is ELV reverse phase dimmable. Type IV-Forward throw optic is standard.

Installation

Supplied with a mounting back for a standard 4" J-box or stucco ring. Optional rear (through wall) feed conduit mounting. Surface mount conduit power feed - Contact factory.

Options

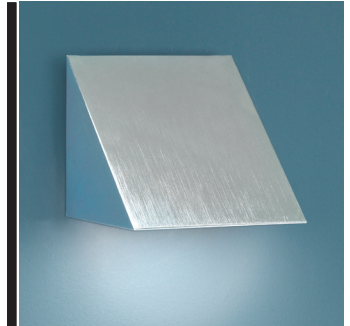
Rear (through wall) Feed Conduit Mounting (C), Blunt Nose (BN), Photocell with 1 1/2" deep back support (PH), Quartz Restrike - MH 11" only (QR), Clear Tempered Glass Lense for full cut-off (TGL) [Dark Sky Compliant].

Labels

U.L. and C.U.L. listed for wet location.

Modifications

Shaper's skilled craftspeople with their depth of experience offer the designer the flexibility to modify standard exterior wall luminaires for project specific solutions. Contact the factory regarding scale options, unique finishes, mounting, additional materials/colors, or decorative detailing.



682-WP SERIES

Exterior Wall Luminaire
"Floating" Wedge



ARRA
Shaper Lighting certifies that its products satisfy the requirements of Section 1605 of the American Recovery and Reinvestment Act (also known as the ARRA Buy American provision).

DARK SKY
Shaper offers a selection of exterior luminaires that are "Dark Sky Compliant". The IESNA (Illuminating Engineering Society of North America) defines Full Cut-Off as fixtures with light distributions of 0% candela at 90° and 10% at 80°. Full Cut-Off luminaires carry the endorsement of the International Dark-Sky Association (IDA) for their effectiveness in limiting the detrimental effects of sky glow, also referred to as "Light Pollution". Many exterior luminaires offer a clear, tempered glass option that meets the IES criteria for Full Cut-Off.

QUICK SHIP (QS)
Shaper's Quick Ship program features over thirty-four fixtures with finishoptions such as Satin Chrome, Natural Aluminum and Satin Brass, and a wide variety of lamp selections. All products ship in five days from receipt of order.

SUSTAINABLE DESIGN
Shaper has a long-standing history of offering environmentally-friendly fixtures. The copper and bronze alloys used in our exterior luminaires feature up to 98% recycled content, contribute less undesirable air emissions compared to painted aluminum and are easy to recycle.

ORDERING INFORMATION

Sample Number: 682-11-WP-MH/1/70-277V-VG-BN

Series	Size	Mounting Type	Lamp	Voltage	Finish ^{5, 6}	Options
682 = Floating Wedge Wall Sconce	8" 11"	WP = Exterior Wall	CFL/1(26/32/42W-Triple) ¹	120V	<u>Standard</u>	BN= Blunt Nose
			CFL/2(26/32/W-Triple) ¹	277V ³	NBZ=Natural Bronze	C=Rear (through wall) Feed Conduit Mounting
			CFL/2(26/32/W) ²	347V ⁴	<u>Premium</u>	PH=Photocell
			INC/1/75 ¹		ALP = Aluminum Paint	QR=Quartz Restrike ^{2, 7}
			INC/1/100 ²		BK = Black	TGL=Clear Tempered Glass Lens ⁸
			MH/1/50 ²		BM = Bronze Metallic Paint	
			MH/1/70 ²		CC = Custom Color	
			MH/1/100 ²		DP = Dark Platinum Paint	
			LED	LED	GM = Gold Metallic Paint	
			L0/827 ¹	UNV	GRM = Graphite Metallic Paint	
			L0/830 ¹	(120-277V)	GY = Grey	
			L0/840 ¹		VG = Verdigris	
					WH = White	

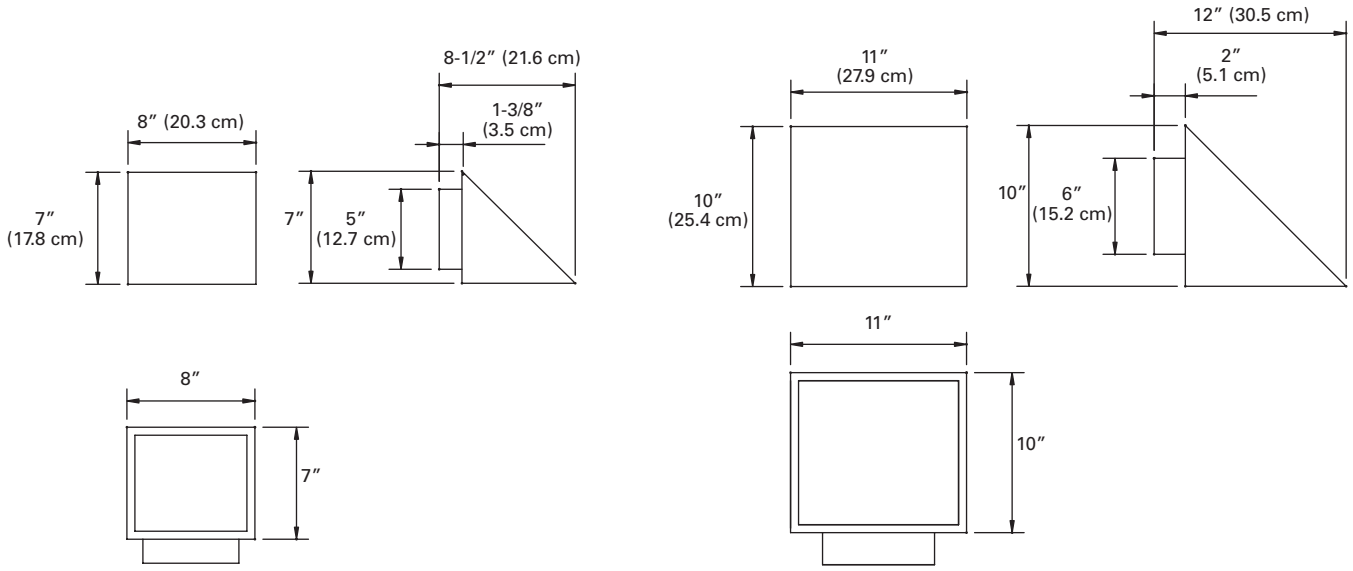
Notes:

- ¹ Available in 8" only.
- ² Available in 11" only.
- ³ CFL and MH only.
- ⁴ Available with CFL only.
- ⁵ Premium TGIC polyester powder coat paint, 2.5 mil nominal thickness for superior protection against fade and wear.
- ⁶ Bronze will weather to a dark bronze patina.
- ⁷ MH only.
- ⁸ For CFL and INC lamping (TGL is standard with MH lamping).

LED Lamp

L0-1000 nominal lumens at max 15.5W

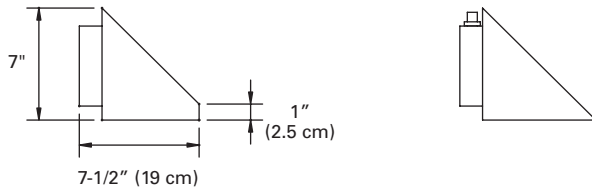
DIMENSIONS



682-WP-8" STANDARD

682-WP-11" STANDARD

STANDARD OPTIONS



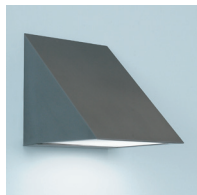
BLUNT NOSE (BN)

PHOTOCELL (PH)

COMPANION PRODUCTS



687



684-WP



687-WP



982-PT



982-W