

HEALTHCARE LIGHTING



lighting the way to better health

HEALTHCARE
 **LIGHTING®**
lighting the way to better health

7701 Klier Drive South • Fairview, PA 16415 • 814.474.4974 • f 814.474.4975

www.healthcare-lighting.com

 **AcuityBrands**

Form No. 1072.01
©2012 Healthcare Lighting 08/12

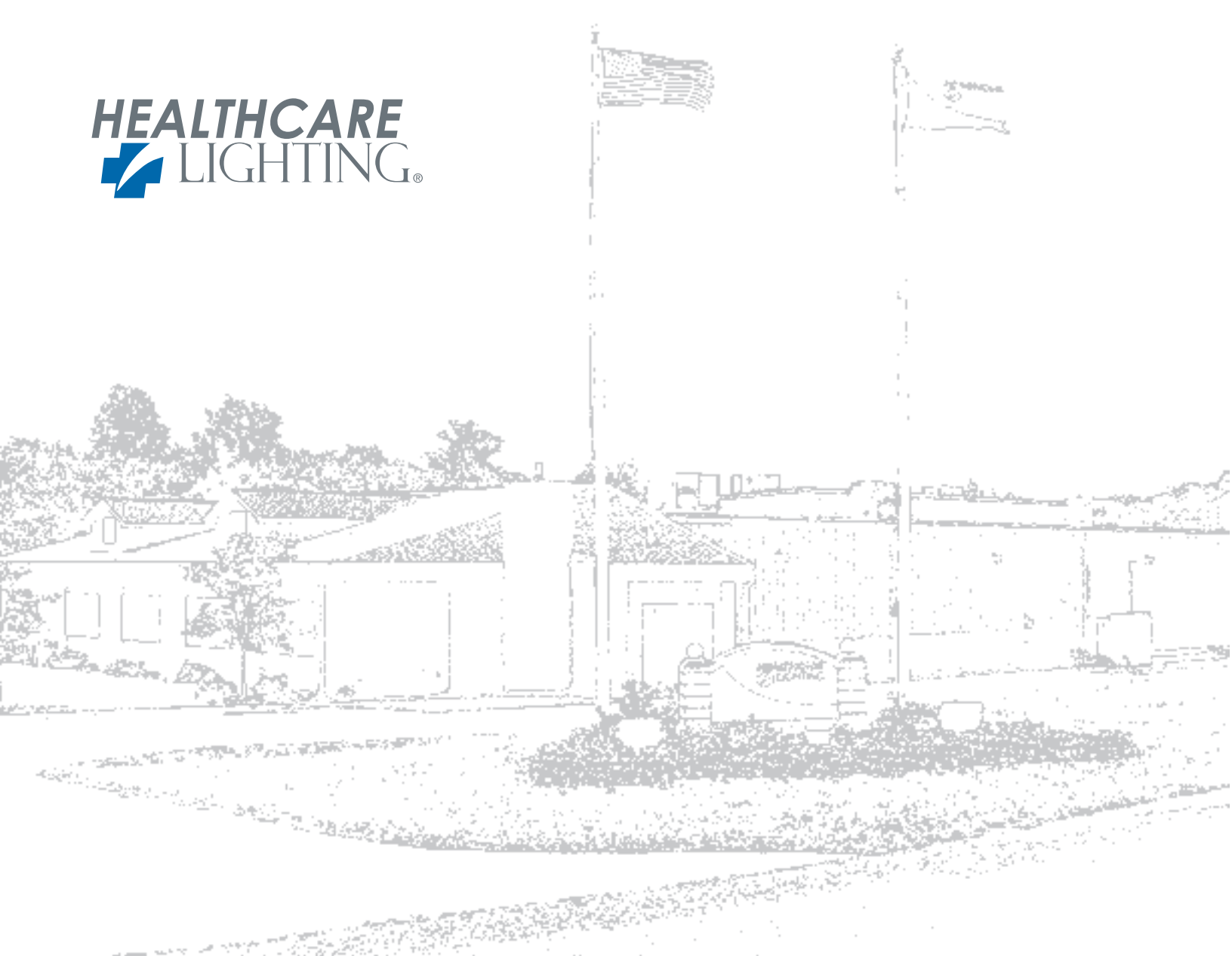
HEALTHCARE
 **LIGHTING®**

 **AcuityBrands**

HEALTHCARE
 **LIGHTING®**
lighting the way to better health



lighting the way to better health



lighting the way to better health

Healthcare Lighting was founded with a singular mission to deliver high quality lighting systems that contribute to positive patient outcomes. We are uniquely focused on the needs of the healthcare environment. Everything we do - from design to production to customer service - is guided by this focus. If it isn't for healthcare, we simply don't do it.

Our primary concentration has been the patient room where the diverse demands of multiple stakeholders must be met within the space. Our solutions are designed to enhance the patient experience while enabling caregiver effectiveness and performance. Healthcare Lighting's products address the needs of those who live, nurture, and heal in these spaces. Every detail of our products reflects this unwavering customer focus, manifested in tailored light distributions, intuitive controls, and ease of maintenance. As best practices in patient care and health facility design evolve, so have our specialized solutions. In addition to patient room lighting, we offer innovative solutions for surgical, procedure, and diagnostic applications, as well as effective and efficient task lighting.

In 2011, we became a member of the Acuity Brands family, further strengthening our ability to develop holistic lighting solutions for today's modern, patient-centric healthcare facility.

About Healthcare Lighting _____ 6

PATIENT ROOM LIGHTING

Illuminating the Patient Room _____ 10
 Patient Room Lighting Concept 1 _____ 12
 Patient Room Lighting Concept 2 _____ 14
 Patient Room Lighting Concept 3 _____ 16
 Patient Room Lighting Support Zone _____ 18

CEILING

Comparison Chart _____ 21
 Omnilume 2x4 _____ 22
 Omnilume 2x2 _____ 24
 HPT100 Series _____ 26
 Trilume _____ 28
 Trilume with Exam _____ 30
 ComfortView _____ 32
 Tandem _____ 34
 EVO _____ 36

WALL

Comparison Chart _____ 39
 Chrysalite _____ 40
 Archer _____ 42
 Stratus _____ 44
 Sierra _____ 46

LED NIGHT LIGHT

Comparison Chart _____ 49
 Geo & Oval _____ 50
 Pathfinder _____ 52

BATHROOM / HAND-WASH SINKS

Comparison Chart _____ 55
 Stratus Vanity _____ 56
 Avonia Vanity _____ 58
 Archer Vanity _____ 60

SCONCES

Comparison Chart _____ 63
 Lés Mini _____ 64
 Sierra Sconce _____ 66

PATIENT ROOM ACCESSORY

1202 LVC _____ 69

EXAM • MINOR PROCEDURE

Comparison Chart _____ 73
 Solume _____ 74
 Corona _____ 76
 Louvered Exam _____ 78

EXAM • SPECIALTY PROCEDURE

LDR LED _____ 82

OR • SURGICAL SUITE

Comparison Chart _____ 87
 SURG5 _____ 88
 HST _____ 90

MRI

Teron-SF MRI _____ 94
 ComfortView LED / MRI _____ 96
 Trilume MRI _____ 98

DARKROOM SAFELIGHTS & X-RAY ILLUMINATORS

Darkroom Safelight _____ 103
 Techline X-Ray _____ 104
 Economy X-Ray _____ 106

UNDER-CABINET TASK LIGHTING

Spectra-SF _____ 110
 Quark-OF _____ 112
 Teron _____ 114

MESSAGE SIGNS

Alert _____ 119



Patient Room

Ceiling

Wall

Nightlight

Bathroom

Sconces

Application Details

The patient room in an acute care hospital is a complex environment. Lighting needs are diverse and often demanding, all in support of the facility's overarching goal to achieve the best possible patient experience and outcomes. Today's patient room typically requires the following lighting:

Patient:

- Bed lighting should provide multiple light levels to align with updated Illuminating Engineering Society (IES) recommendations and to allow adjustment based upon individual preference, age, and medical condition. Controls should be easily accessible and intuitive.
- Ceiling-mounted luminaires should deliver diffuse, comfortable light for normal activities, avoiding discomfort glare for patients in prone or reclined positions.
- Night lighting must illuminate the floor, providing a clear path to the lavatory or doorway in the darkened room, while minimizing sleep disruption.

Caregiver:

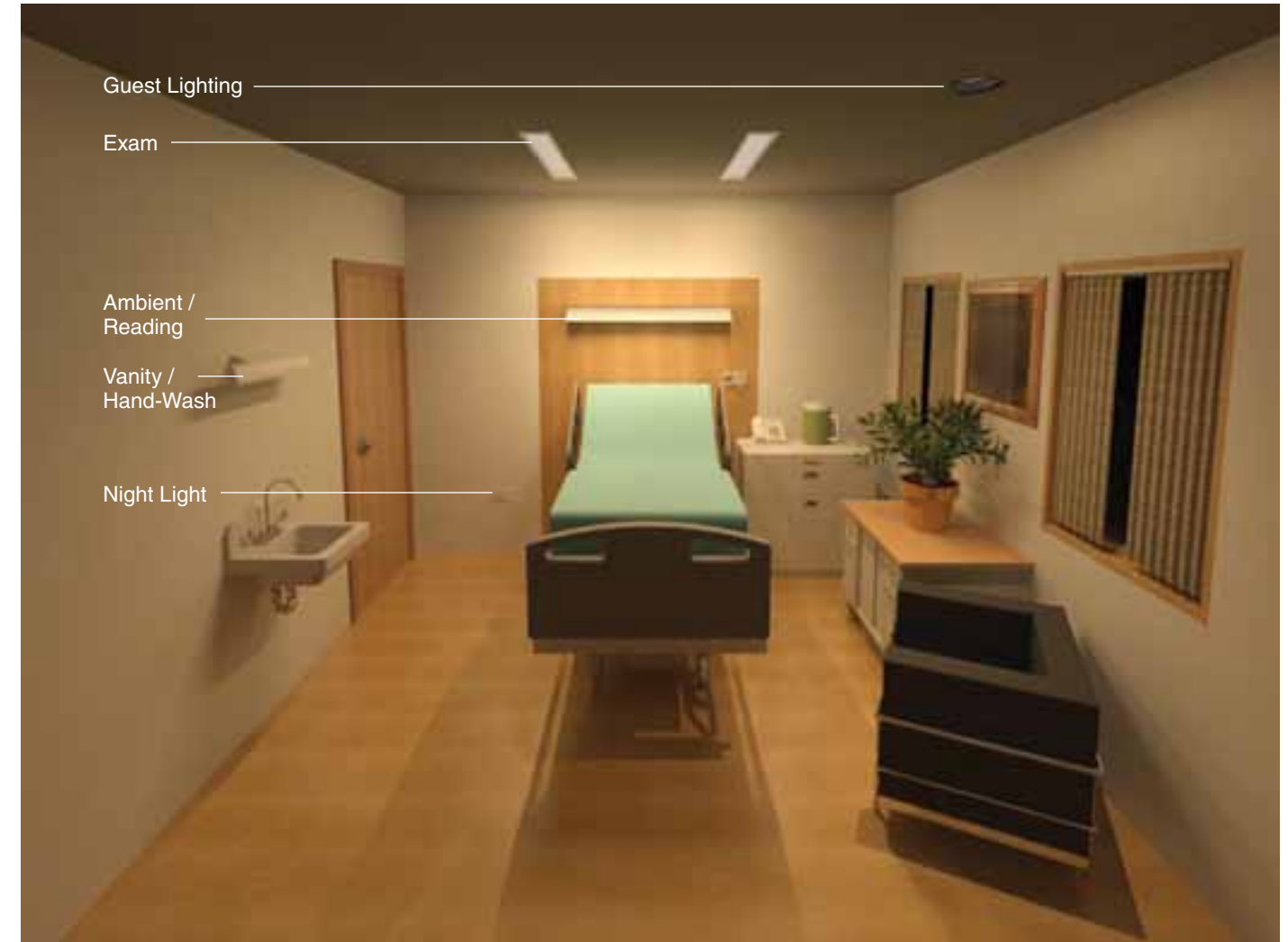
- Exam lighting should be separately controlled, delivering higher level intensity over the entire bed for examination, as well as minor procedures that are increasingly performed in the patient room. Color rendering and correlated color temperature are important considerations for visual acuity and accurate rendition of the patient's pallor, skin, and tissues.
- Hand-wash sinks should be independently illuminated with sufficient intensity for task effectiveness while including appropriate cut-off to minimize glare and excessive light trespass to the patient.
- Night lighting should allow safe passage through the room at night without undue patient disruption.
- Low-level observation lighting allows nighttime viewing of the patient without interrupting their slumber.

Guest:

- Separate lighting for the visitor area should allow glare-free, visually comfortable reading and ambient illumination while limiting trespass to a resting patient.

It is important to consider not only the average light intensity but also how the light is distributed over the relevant area. Considerations such as glare, uniformity, lighting controls, clearance for equipment such as lift rails, and other factors unique to the space will further guide selection.

The right combination of lighting and controls equipment can result in a patient room solution that fully meets the functional and aesthetic requirements of the space. While specific room dimensions and layouts vary, this section provides three suggested configurations for lighting the Patient Care Zone.



Anatomy of the Patient Room

Patient Care Zone:

Ambient / Reading: Provides the patient with comfortable light levels for reading and general ambient room illumination

Exam: Direct task lighting for patient examination and minor procedures

Support Zone:

Hand-wash Sink: Mounted above the hand-wash basin, providing task illumination even in low level room lighting

Night Light: Unobtrusive pathway illumination enables patient and staff to safely move about room in dark conditions

Guest Lighting: Provides comfortable guest lighting without patient disruption

AMBIENT / READING 1 - ARCHER



PATIENT ROOM 10' x 12' x 9' Ceiling

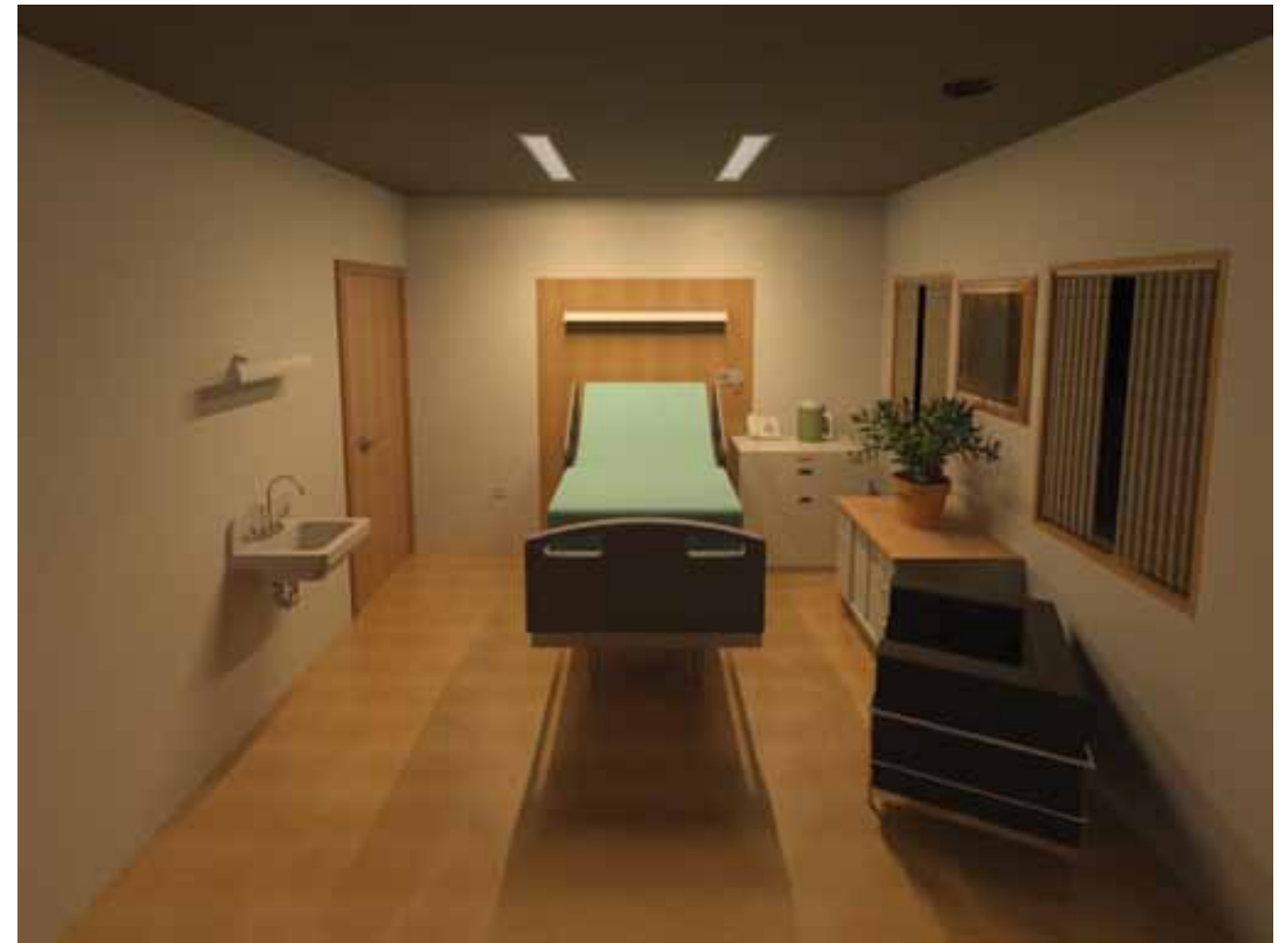
ARCHER - Ambient Reading HPW348: (2) 28w T5 Lamps Up and (2) 28w T5 Lamps Down
Mounted on headwall, 3 ft. above work plane - See details on page 42.

+111	+118	+120	+118	+111
+127	+135	+137	+135	+126
+134	+143	+146	+143	+134
+120	+128	+129	+127	+120
+98.2	+103	+105	+103	+98.0
+74.8	+77.7	+79.3	+77.6	+74.6
+58.1	+59.9	+60.9	+59.8	+57.9
+47.4	+48.7	+49.2	+48.5	+47.2
+40.5	+41.4	+41.7	+41.3	+40.3
+35.6	+36.3	+36.5	+36.2	+35.4
+31.6	+32.2	+32.3	+32.1	+31.4
+28.3	+28.7	+28.8	+28.6	+28.1
+25.5	+25.8	+25.9	+25.7	+25.3

Avg: 74 • Max: 146 • Min: 25

Concept 1 includes a headwall-mounted luminaire for patient control and a ceiling-mounted solution for use by the caregiver when performing examinations. This is an ideal arrangement because lighting is delivered to the patient from above and behind, providing illumination without glare, while intense examination lighting is uniformly directed over the bed surface for caregiver use. This layout keeps lamping out of the patient's direct line of sight and minimizes shadows during caregiver procedures.

EXAM 1 - TANDEM



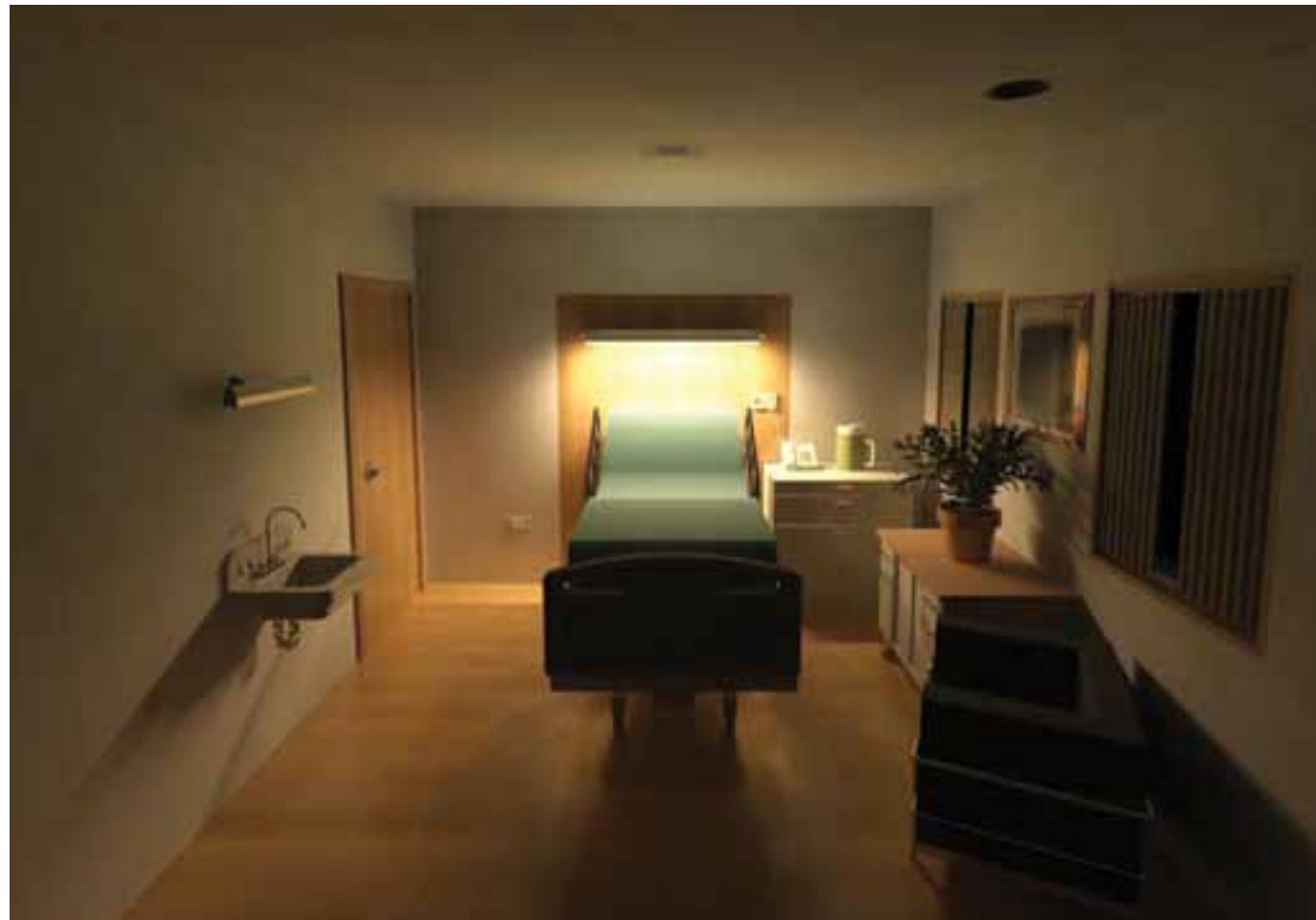
PATIENT ROOM 10' x 12' x 9' Ceiling

TANDEM - Exam Lighting HPT410: (1) 28w T5 Lamp and (2) 54w T5HO Lamps per fixture
Mounted 6 ft. above work plane and spaced 3.5 ft. apart, center-to-center - See details on page 34.

+98	+102	+103	+102	+99
+110	+113	+115	+114	+111
+121	+125	+127	+126	+122
+135	+139	+141	+140	+136
+149	+154	+156	+155	+150
+161	+167	+169	+167	+162
+165	+171	+173	+171	+166
+158	+164	+165	+164	+158
+141	+145	+147	+146	+141
+119	+123	+124	+123	+120
+98	+101	+102	+101	+99

Avg = 136 • Max = 173 • Min = 98

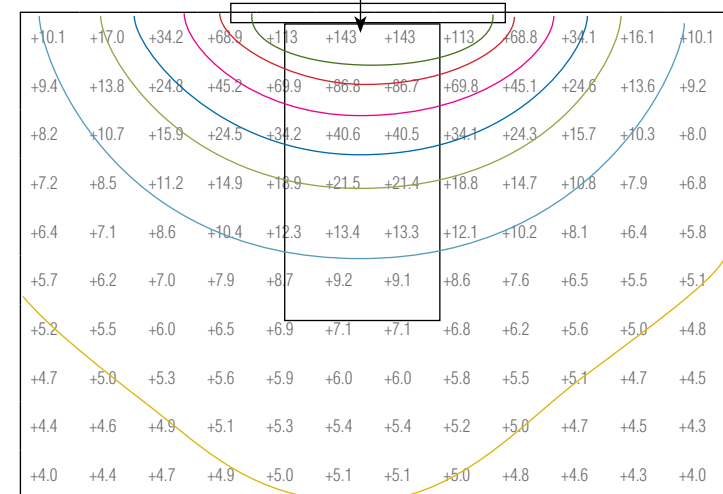
AMBIENT / READING 2 - CHRYSALITE



PATIENT ROOM 10' x 12' x 9' Ceiling

CHRYSALITE - Ambient Reading HPW248: (1) T5HO Lamp Down
Mounted on headwall, 3 ft. above work plane - See details on page 40.

100 FC — 80 FC — 50 FC — 30 FC —
20 FC — 10 FC — 5 FC



Avg = 47 • Max = 143 • Min = 4

Concept 2 provides patient lighting via a headwall-mounted luminaire. This bed light also includes an examination mode which, when coupled with an additional fixed exam luminaire, provides the light intensity recommended for caregiver procedures. The exam mode of the bed light can be wired to the ceiling fixture such that opening the exam head illuminates both. Similar to Concept 1, this arrangement delivers light to the patient from above and behind, providing illumination without glare, while examination lighting is uniformly directed over the bed surface for caregiver use.

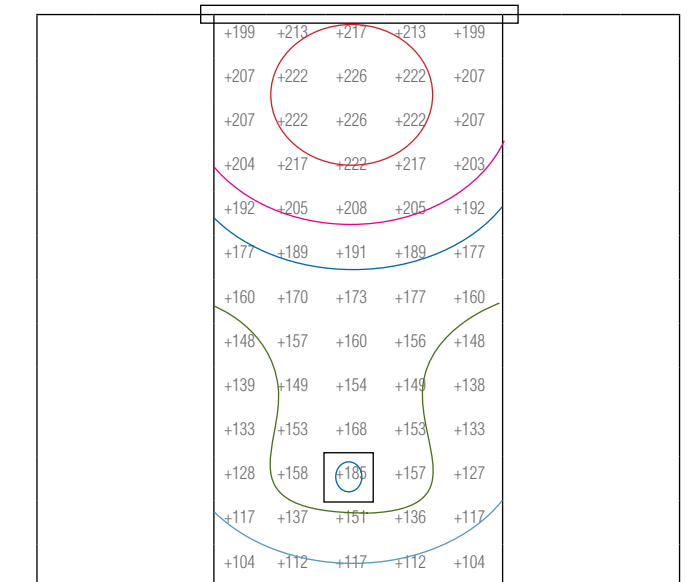
EXAM 2 - CHRYSALITE (EXAM MODE) AND CORONA



PATIENT ROOM 10' x 12' x 9' Ceiling

CHRYSALITE - HPW248: (2) T5HO Up and (2) T5HO Down, Exam Head Open, Mounted on headwall, 3 ft. above work plane - CORONA - HEX810: 250w Halogen, Mounted 6 ft. above work plane, 5 ft. off headwall
CHRYSALITE - See details on page 40, CORONA - See details on page 76.

220 FC — 200 FC — 180 FC — 150 FC — 120 FC



Avg: 172 • Max: 226 • Min: 104

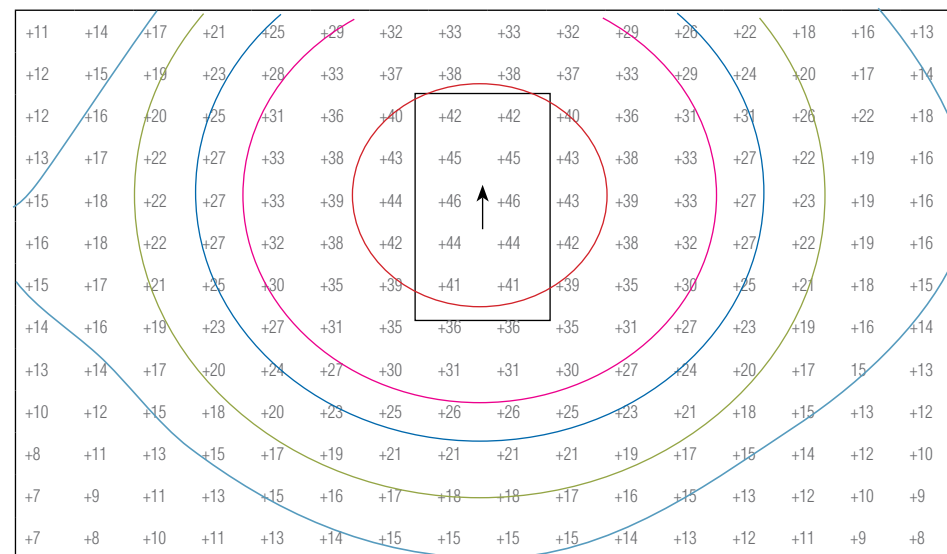
AMBIENT / READING - TRILUME with EXAM



PATIENT ROOM 10' x 12' x 9' Ceiling

TRILUME with Exam - Ambient Reading HPT524: (2) T5 Lamps, illuminance values in room at 3ft above floor - See details on page 30.

40 FC — 35 FC — 30 FC — 20 FC — 15 FC



Avg = 39 • Max = 46 • Min = 28

Concept 3 employs a multi-function ceiling troffer for both patient and caregiver lighting. The center lens shields up to three lamps for multi-level patient light control. Two lenses, one on each side of the fixture, are angled to direct examination lighting toward the bed. Typically, a separate switch is wired to illuminate all lamps, center and outer, for clinical examination and minor procedure lighting.

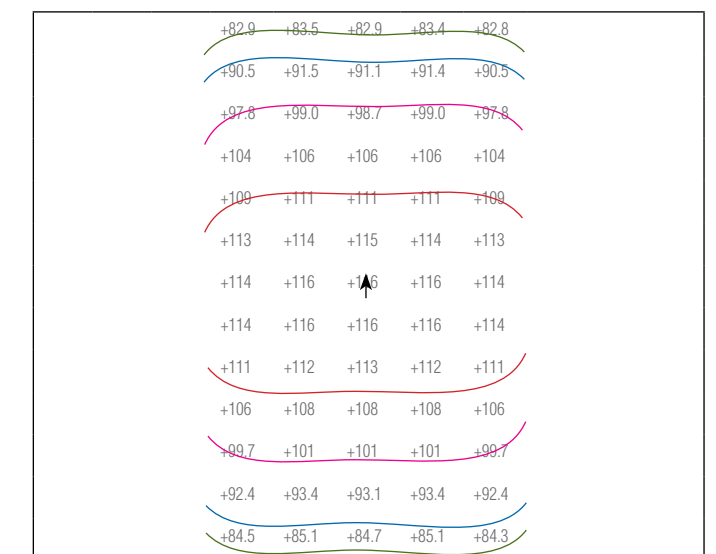
EXAM 3 - TRILUME with EXAM



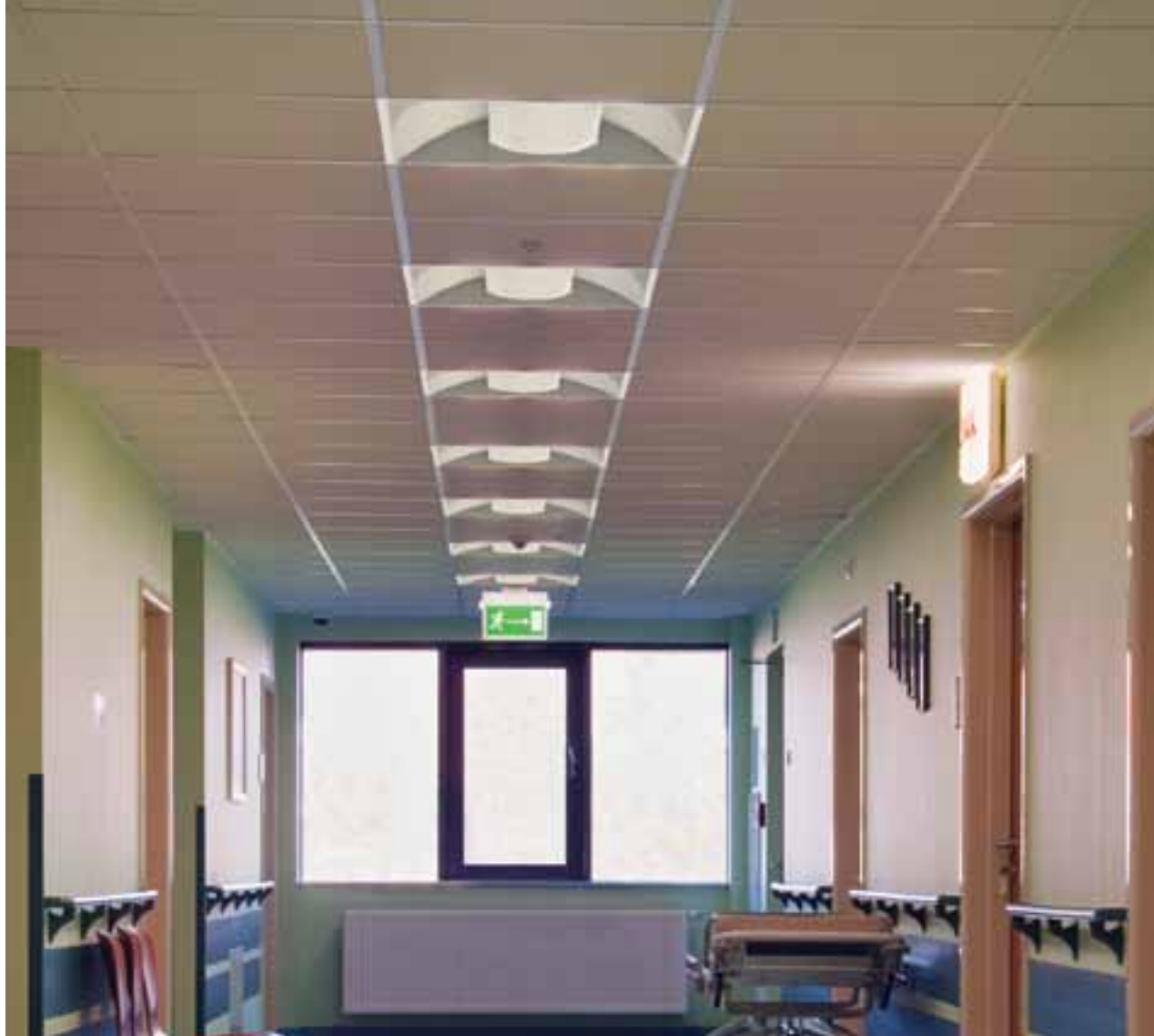
PATIENT ROOM 10' x 12' x 9' Ceiling



TRILUME with EXAM - Exam Mode HPT524: (7) T5 Lamps Mounted 6 ft. above work plane, 1.5 ft. Off headwall - See details on page 30.

110 FC — 100 FC — 90 FC — 85 FC



Avg = 102 • Max = 116 • Min = 83



					
<i>Omnilume</i>	<i>HPT</i>	<i>Trilume</i>	<i>Trilume with Exam</i>	<i>ComfortView</i>	<i>Tandem</i>
<i>Page 22</i>	<i>Page 26</i>	<i>Page 28</i>	<i>Page 30</i>	<i>Page 32</i>	<i>Page 34</i>

Patient Ceiling Lighting

Most hospital patient rooms today are lit by recessed fixtures installed in the ceiling over the bed. These are commonly multi-function bed lights that serve both the patient's and the caregiver's needs. With the wide array of fixtures that are available in this category, it is important to choose a specific fixture based upon actual requirements for lighting the space and how the light is to be controlled by each user. A fixture that provides multiple light levels for patient control allows adjustment based upon individual preference, age, and medical condition – and also aligns with updated Illuminating Engineering Society (IES) recommendations. Exam lighting should be separately controlled by the caregiver, delivering sufficient intensity over the entire bed for examination and whatever minor procedures may be performed. It is important to consider not only the average light intensity but also distribution of light over the relevant area.

Considerations such as glare, uniformity, lighting controls, clearance for equipment such as lift rails, and other factors unique to the space will further guide selection.

Ceiling Fixture Comparison Chart	Omnilume	HPT	Trilume	Trilume with Exam	ComfortView	Tandem
Performance						
Multi-Function Bed Light	•	•		•		•
Motorized Exam Head (100 CRI)	•					
Multi-level patient lighting (reading/ambient)	•	•	•	•		
Exam light exceeds 100fc, entire bed surface	•					•
Night light (opt)		•	•	•		
Chart light (opt)	•					
MRI compatible version available			•		•	
LED					•	
Installation & Maintenance						
Entirely serviceable from within the room	•	•	•	•	•	•
Tool-free re-lamping		•	•	•	•	•
EZ-Hang mounting system for T-grid ceilings	•	•	•	•	•	•
Construction						
Steel housing						
18 Ga	•		•	•	•	
20 Ga		•				•
Vandal-resistant version available			•	•		
Concealed hinge door with sanitary lens (opt)		Opt	Opt	Std		Opt
Polyester powdercoat, post-fabrication	•	•	•	•	•	•



Modern hospitals are providing more clinical care right in the patient room. This trend is driven by efficiency efforts and the need to minimize cross-contamination among patients. The level of care that can be administered in a patient room is, at least in part, dependent upon the available lighting. Omnilume provides the ultimate versatility in patient bed lighting with superior examination illumination, ambient light level selections, and chart light options. The motorized exam head (optional) sweeps through a 60-degree range to direct high-intensity illumination exactly where it is needed. The center section of the fixture

is designed for multi-level switching so that the patient can easily select lighting that is comfortable for reading/tasks or general ambient illumination. Light levels can be controlled via the nurse call system, if wired to the low voltage controller in the fixture, or using a separate pendant pillow switch (optional).

Specifications & Features

- Patient and caregiver lighting with separate controls
- Motorized exam head (optional) sweeps 0-60° with wall control, included
- Greater than 250fc light delivered across entire bed surface when head is positioned throughout range of motion
- 100 CRI exam lighting
- Bi-level patient lighting controlled from nurse call system (low voltage controller standard with MA option)
- LED chart/observation light (optional)
- Entirely serviceable from within the room
- EZ-Hang mounting system allows quick and easy connection to ceiling supports

Details

Omnilume 2x4 Multiple Lighting Levels



Level 1: consists of (2) 21w T5 lamps offering general patient ambient light.



Level 2: consists of (4) 21w T5 lamps providing a higher level of ambient light.



The *motorized pivoting head* with three 100 CRI, 13° beam, MR16 lamps allows the caregiver to direct light along the entire patient bed. The motorized exam light is controlled by Healthcare Lighting's Class 2 Wall Switch or by the optional remote control cord.



The *3 watt LED chart light* incorporates 360° manual positioning. When used with the motorized exam model, the chart light control is incorporated into the Healthcare Lighting exclusive Class 2 Wall Switch. Momentary contact controls (provided by others) can also control the chart light.

- UL listed and cUL approved
- BIM files available

Construction

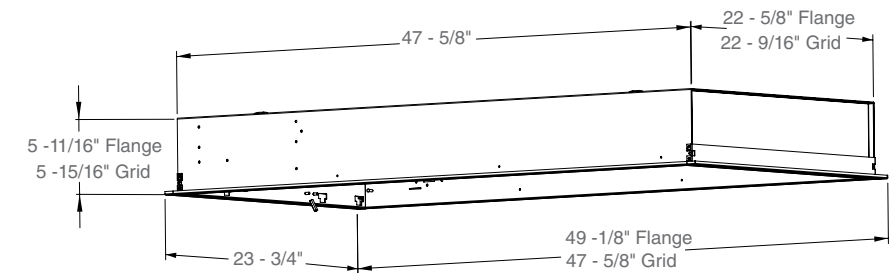
- 18 Ga steel housing
- 24 Ga steel reflectors
- Extruded DR acrylic lens basket with choice of acrylic inserts (ambient section)
- Tempered glass lens (exam head)
- Polyester powdercoat finish; anti-microbial powdercoat finish is available

Switching

- With Motorized Exam Head
 - Class 2 low voltage controller (standard) for patient lighting control from nurse call system or pillow switch (optional)
 - Class 2 wall switch for control of motorized exam head
- With Fixed Exam Head Option
 - Line voltage switching (by others)
 - 1 circuit (on/off) or 2 circuit (bi-level) control of patient lighting
 - Class 2 low voltage controller (optional) for patient lighting control from nurse call system or pillow switch (optional)

Isometric Profile (Grid and Flange)

See website for flange-mount cut-out dimensions.



Photometry

HPT224: Patient Lighting

(4) 21w T5 Lamps in Ambient Section
Mounted 6 ft. above Work plane
and 1 ft. Off Headwall

+30.5	+31.4	+31.8	+31.4	+30.4
+32.8	+33.9	+34.3	+33.9	+32.7
+34.6	+35.9	+36.3	+35.8	+34.5
+35.7	+37.1	+37.5	+37.0	+35.6
+36.2	+37.5	+37.9	+37.5	+36.0
+35.8	+37.2	+37.6	+37.1	+35.7
+34.8	+36.2	+36.6	+36.1	+34.7
+33.3	+34.5	+34.8	+34.4	+33.1
+31.2	+32.3	+32.6	+32.2	+31.0
+28.8	+29.8	+30.0	+29.7	+28.7
+26.3	+27.1	+27.4	+27.0	+26.1
+23.8	+24.4	+24.7	+24.4	+23.6
+21.4	+21.9	+22.1	+21.9	+21.3

Avg: 32 • Max : 38 • Min: 21

HPT224: Exam Lighting

Exam Head Oriented Straight Down,
(3) 75w MR16 Lamps
Mounted 6 ft. above Work plane
and 1 ft. Off Headwall

+121	+215	+276	+214	+121
+213	+431	+572	+431	+213
+281	+658	+894	+658	+281
+230	+536	+720	+536	+230
+120	+235	+319	+235	+120
+51.1	+74.3	+90.8	+74.2	+51.0
+31.1	+34.4	+34.7	+34.3	+31.1
+21.3	+24.2	+24.2	+24.2	+21.2
+18.1	+18.9	+19.1	+18.9	+18.0
+16.7	+16.5	+16.4	+16.5	+16.6
+15.4	+15.7	+15.8	+15.7	+15.4
+13.7	+13.9	+13.9	+13.8	+13.6
+11.4	+11.7	+11.8	+11.7	+11.3

Avg: 152 • Max : 894 • Min: 11
See website for IES files

Ordering Information

EXAMPLE: HPT224 MA F 120 TAI SX 2C LCL

OMNILUME 2x4

SERIES	EXAM TYPE ⁶	MOUNTING	VOLTAGE	DIFFUSER	AMBIENT LAMPING	AMBIENT CONTROL	CIRCUITS	OPTIONS	FINISH
HPT2	MA - Motorized (includes LVM) ¹ FA - Non-Motorized	G - Grid F - Flange	120 - 120 v 277 - 277v	TAI - Translucent Acrylic PAI - Perforated Acrylic Insert	(blank) - 4 21WT5 Standard ⁵	LVA - Low Voltage Controller (FA adder) ³ LV1A - LVC with J-box and Pillow Switch (FA) ³ LVMJPS - 1-gang J-box with pillow switch (MA Only) ² LVMEC - Remote pendant exam control (MA only) ² LVMJPS - Both LVMJPS and LVMEC (MA only) ² SX - No Switch	1C - 1 Circuit ambient 2C - 2 Circuit - bi-level ambient DM - Ambient Dimming only with FA&SX ⁴	LCR - LED Chart Light on Right LCL - LED Chart Light on Left CR11 - MR11 Chart Light on Right CL11 - MR11 Chart Light on Left GLR - Fast-Blow Fuse GMF - Slo-Blow Fuse LNL - LED Night Light SL - Sanitary Lens	(blank) - Gloss White AM - Anti-Microbial White

NOTES
 1 MA option comes with 4-Circuit Low Voltage Controller and 2-gang wall plate (LVM)
 2 JPS and EC with Motorized Exam only; when nurse call system unavailable
 3 LVA and LV1A with FA only - 2 circuit low voltage switch
 4 Ambient dimming only with SX option; controlled by others
 5 Program start ballasts standard
 6 Three each 75W MR16 exam lamps included

NOTE: Specifications subject to change without notice. Actual performance may differ as a result of end-user environment and application.



The louvered patient lighting section of the fixture is designed for bi-level switching so that the patient can easily select lighting that is comfortable for their purpose. Light levels can be controlled via the nurse call system, if wired to the low voltage controller in the fixture, or using a separate pendant pillow switch (optional). A center basket style is also offered as an alternative to the louvered design. (Consult factory.)

Specifications & Features

- Patient and caregiver lighting with separate controls
- Motorized exam head (optional) sweeps 0-60° with wall control, included
- Greater than 250fc light delivered across entire bed surface when head is positioned throughout range of motion
- 100 CRI exam lighting
- LED chart/observation light (optional)
- Entirely serviceable from within the room

Construction

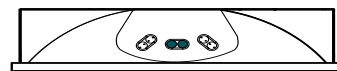
- 18 Ga steel housing
- 24 Ga steel reflectors
- Polystyrene parabolic louver with acrylic overlay, specular silver grid shields ambient lamping
- Tempered glass lens (exam head)
- Polyester non-yellowing powdercoat finish; anti-microbial powdercoat finish is available

Switching

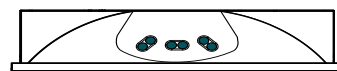
- With Motorized Exam Head
 - Class 2 low voltage controller (standard) for patient lighting control from nurse call system or pillow switch (optional)
 - Class 2 wall switch for control of motorized exam head
- With Fixed Exam Head Option
 - Line voltage switching (by others)
 - 1 circuit (on/off) or 2 circuit (bi-level) control of patient lighting
 - Class 2 low voltage controller (optional) for patient lighting control from nurse call system or pillow switch (optional)

Details

Omnilume 2x2 Multiple Lighting Levels



Level 1: consists of (1) 18w biax lamp offering general patient ambient light.



Level 2: consists of (3) 18w biax lamps providing a higher level of ambient light.



The *motorized pivoting head* with three 100 CRI, 13° beam, MR16 lamps allows the caregiver to direct light along the entire patient bed. The motorized exam light is controlled by Healthcare Lighting's Class 2 Wall Switch or by the optional remote control cord.

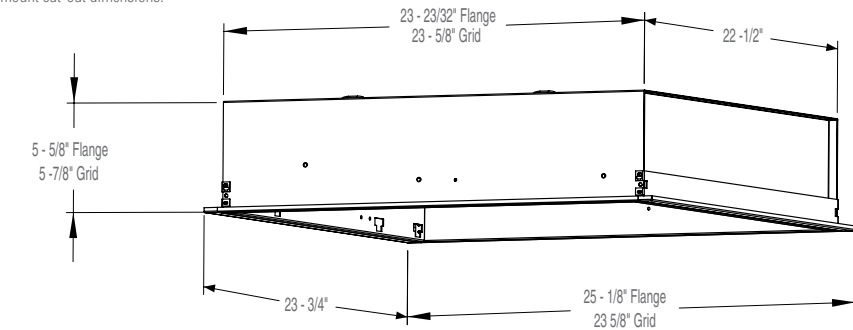


The *3 watt LED chart light* incorporates 360° manual positioning. When used with the motorized exam model, the chart light control is incorporated into the Healthcare Lighting exclusive Class 2 Wall Switch. Momentary contact controls (provided by others) can also control the chart light.

- UL listed and cUL approved
- BIM files available

Isometric Profile (Grid and Flange)

See website for flange-mount cut-out dimensions.



Photometry

Exam Lighting

Exam Head Oriented Straight Down, (3) 75w MR16 Lamps Mounted 6 ft. above Work plane and 1 ft. Off Headwall

+ 121	+ 215	+ 276	+ 214	+ 121
+ 213	+ 431	+ 572	+ 431	+ 213
+ 281	+ 658	+ 894	+ 658	+ 281
+ 230	+ 536	+ 720	+ 536	+ 230
+ 120	+ 235	+ 319	+ 235	+ 120
+ 51.1	+ 74.3	+ 90.8	+ 74.2	+ 51.0
+ 31.1	+ 34.4	+ 34.7	+ 34.3	+ 31.1
+ 21.3	+ 24.2	+ 24.2	+ 24.2	+ 21.2
+ 18.1	+ 18.9	+ 19.1	+ 18.9	+ 18.0
+ 16.7	+ 16.5	+ 16.4	+ 16.5	+ 16.6
+ 15.4	+ 15.7	+ 15.8	+ 15.7	+ 15.4
+ 13.7	+ 13.9	+ 13.9	+ 13.8	+ 13.6
+ 11.4	+ 11.7	+ 11.8	+ 11.7	+ 11.3

Avg: 152 • Max : 894 • Min: 11
See website for IES files

Wall Switch

Healthcare Lighting's Class 2 Wall Switch is standard with all motorized exam models. (HPT224MA & HPT222LBMA) The wall plate has a smooth, durable overlay with no gaps to trap dirt or bacteria. An optional remote plug-in control switch (LVMEC option) gives the caregiver complete light adjustment at patient bedside.



Ordering Information

EXAMPLE: HPT222LB MA F 120 2ACF55 1C LCL

OMNILUME 2x2

SERIES	EXAM TYPE	MOUNTING	VOLTAGE	AMBIENT LAMPING	AMBIENT CONTROL	AMBIENT CIRCUITS	OPTIONS	FINISH
HPT2	MA - Motorized (includes LVM) ¹ FA - Non Motorized	G - Grid F - Flange	120 - 120 v 277 - 277v	2ACF55 - 2x55W Biax 3ACF55 - 3x55W Biax 2ACF40 - 2x40W Biax 3ACF40 - 3x40W Biax	LVA - Low Voltage Controller (FA adder) LV1A - LVC with J-box and Pillow Switch (FA) LVMJPS - 1-gang J-box with Pillow Switch (MA Only) ² LVMEC - Remote pendant exam control (MA only) ² LVMJPSEC - Both LVMJPS and LVMEC (MA only) ² SX - No Switch	1C - 1 Circuit ambient 2C - 2 Circuit - bi-level ambient control DM - Ambient Dimming only with FA and SX	LCR - LED Chart Light on Right LCL - LED Chart Light on Left CR11 - MR11 Chart Light on Right CL11 - MR11 Chart Light on Left GLR - Fast-Blo Fuse GMF - Slo-Blo Fuse	(blank) - Gloss White AM - Anti-Microbial White

NOTES
 1 MA option comes with 4-CCT Low Voltage Switching
 2 LVMJPS and LVMEC with motorized exam only; when nurse call system unavailable
 3 LVA and LV1A with FA only
 4 Ambient dimming only with SX option; control by others
 5 Program start ballast standard
 6 Three each 75W MR16 exam lamps included
 7 Ambient section has louvers with acrylic overlay

NOTE: Specifications subject to change without notice. Actual performance may differ as a result of end-user environment and application.



The HPT100 family offers a traditional design in a multi-function bed light. A basket section for ambient lamping and a louvered section for caregiver exam lighting are controlled separately. Exam lighting is directed downward on the bed surface through a parabolic louver that both reduces glare and obscures lamp silhouette. An acrylic overlay is inserted between the lamps and the louvered panel. Incorporating a low voltage controller (optional) allows the patient to control lighting from the nurse-call handset or a separate pendant pillow switch (optional).

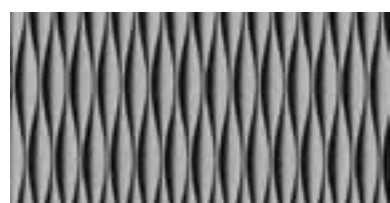
Specifications & Features

- Patient and caregiver lighting with separate controls
- Tri-level control (3 lamp option) for ambient, reading, and task lighting
- Low voltage controller (option) allows patient control from nurse call system
- Louvered examination section limits light trespass and glare
- Sanitary lens (option) with concealed hinge design improves cleanliness
- Multiple lamping options available for both patient and caregiver lighting
- Entirely serviceable from within the room

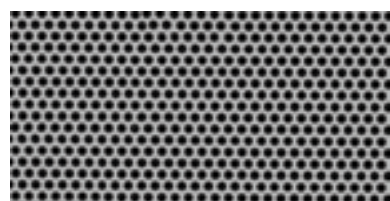
Switching

- Line voltage switching (by others)
- 1 circuit (on/off) or 2 circuit (bi-level or tri-level) control of patient lighting
- Class 2 low voltage controller (optional) for patient lighting control from nurse call system or pillow switch (optional)

WAV optional acrylic insert wave pattern



PAI optional perforated acrylic insert pattern

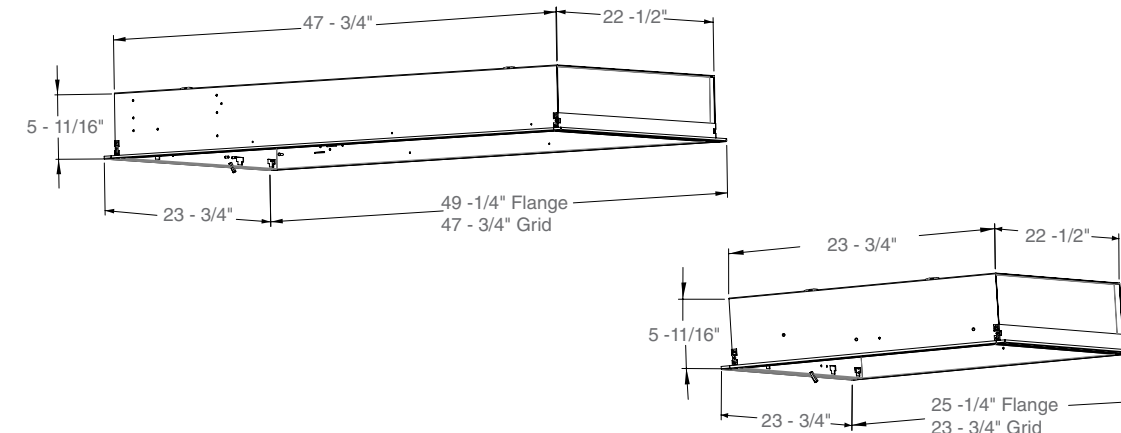


Construction

- 18 Ga steel housing
- 24 Ga steel reflectors
- 18 Ga steel door with concealed hinge and clear acrylic sanitary lens (optional)
- High-impact, extruded acrylic lens basket with translucent acrylic insert (ambient section)
- Polystyrene specular silver parabolic louver (3/4" x 3/4" x 1/2") with acrylic overlay
- Polyester powdercoat finish; anti-microbial powdercoat finish is available

Isometric Profile (Grid and Flange)

See website for flange-mount cut-out dimensions.



Photometry

HPT124: Patient Lighting

(3) 40w Biax Lamps in Ambient Section
Mounted 6 ft. above Work plane and 1 ft. Off Headwall

+27.0	+27.7	+27.9	+27.6	+26.9
+29.3	+30.2	+30.5	+30.2	+29.2
+31.3	+32.4	+32.7	+32.4	+31.2
+33.0	+34.2	+34.5	+34.1	+32.9
+34.0	+35.3	+35.7	+35.3	+33.9
+34.4	+35.8	+36.2	+35.7	+34.3
+34.2	+35.5	+35.9	+35.5	+34.0
+33.2	+34.5	+34.9	+34.4	+33.1
+31.7	+32.8	+33.1	+32.7	+31.5
+29.6	+30.6	+30.9	+30.5	+29.4
+27.3	+28.1	+28.3	+28.0	+27.1
+24.8	+25.4	+25.6	+25.4	+24.6
+22.3	+22.9	+23.0	+22.8	+22.2

Avg: 31 • Max : 36 • Min: 22

HPT124: Exam Lighting

(7) 40w Biax Lamps for Examination Lighting
Mounted 6 ft. above Work plane and 1 ft. Off Headwall

+83.7	+85.8	+86.1	+85.6	+83.5
+90.8	+93.4	+93.7	+93.2	+90.6
+97.0	+99.8	+100	+99.7	+96.8
+102	+105	+105	+105	+102
+105	+108	+108	+108	+105
+106	+110	+110	+109	+106
+105	+109	+109	+108	+105
+103	+106	+106	+105	+102
+97.9	+101	+101	+101	+97.4
+91.7	+94.2	+94.3	+94.0	+91.3
+84.4	+86.7	+86.9	+86.4	+83.9
+76.5	+78.4	+78.7	+78.2	+76.1
+68.7	+70.2	+70.5	+70.0	+68.3

Avg: 95 • Max : 110 • Min: 68
See website for IES files

Ordering Information

EXAMPLE: HPT124 F 120 TAI LV 2C 3ACF55 3XCF55 SL LNL

HPT100 Series

SERIES	Product	Size	MOUNTING	VOLTAGE	DIFFUSER	AMBIENT CONTROL	AMBIENT CIRCUITS	AMBIENT LAMPS	EXAM LAMPING	OPTIONS	FINISHES
HPT1		24 - 2x4 ft 22 - 2x2 ft	G - Grid F - Flange	120 - 120v 277 - 277v MVOLT - 120-277v	TAI - Translucent Acrylic PAI - Perforated Acrylic insert PMB - Perforated Metal Basket (With Door) ¹ WAV - Acrylic wave pattern insert	LV - Low Voltage Controller LV3 - LVC with J-box, receptacle and Pillow Switch with Cord SX - No Switch	1C - 1 Circuit 2C - 2 Circuit - tri-level control DM - Dimming ¹	2ACF40 - 2x40W Biax (2x4) 2ACF55 - 2x55W Biax (2x4) 3ACF40 - 3x40W Biax (2x4) 3ACF55 - 3x55W Biax (2x4) 2ACF27 - 2x27W Biax (2x2) 3ACF27 - 3x27W Biax (2x2)	3XCF40 - 3x40W Biax (2x4) 3XCF55 - 3x55W Biax (2x4) 4XCF40 - 4x40W Biax (2x4) 4XCF55 - 4x55W Biax (2x4) 2XCF55 - 2x55W Biax (2x2)	SL - Sanitary Lens with Door LNL - LED Night Light NLF - 9 watt night light GLR - Fast-Blo Fuse GMF - Slo-Blo Fuse	(blank) - Gloss White AM - Anti-Microbial White

NOTES
1 Dimmer only available with SX option
2 Contact Factory for 347V availability

NOTE: Specifications subject to change without notice. Actual performance may differ as a result of end-user environment and application.



The Trilume provides glare- and shadow-free illumination in a clean, visually comfortable aesthetic. Specify three lamps and 2 circuits to provide the patient with versatile tri-level light control for patient comfort. If a low voltage controller is included (optional), light levels can be conveniently adjusted via the nurse call system or using a separate pendant pillow switch (optional). This design is a complement to the Trilume with Exam fixture and is also suitable for corridors and for other areas of the facility where general lighting is needed.

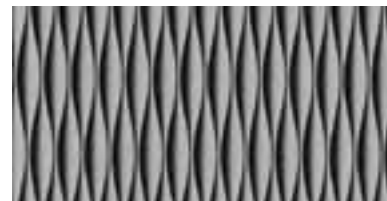
Specifications & Features

- Direct and indirect lighting via acrylic lens with translucent acrylic insert
- 2 circuits (optional) allow multi-level light control
- Multiple lamping options available
- Low voltage controller (option) allows patient control from nurse call system
- Sanitary lens (option) with concealed hinge design improves cleanliness
- Entirely serviceable from within the room

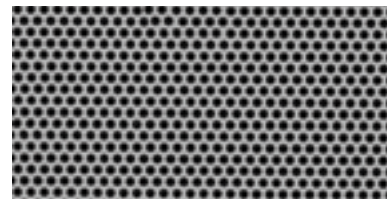
Switching

- Line voltage switching (by others)
- 1 circuit (on/off) or 2 circuit (bi-level or tri-level) control of patient lighting
- Class 2 low voltage controller (optional) for patient lighting control from nurse call system or pillow switch (optional)

WAV optional acrylic insert wave pattern



PAI optional perforated acrylic insert pattern

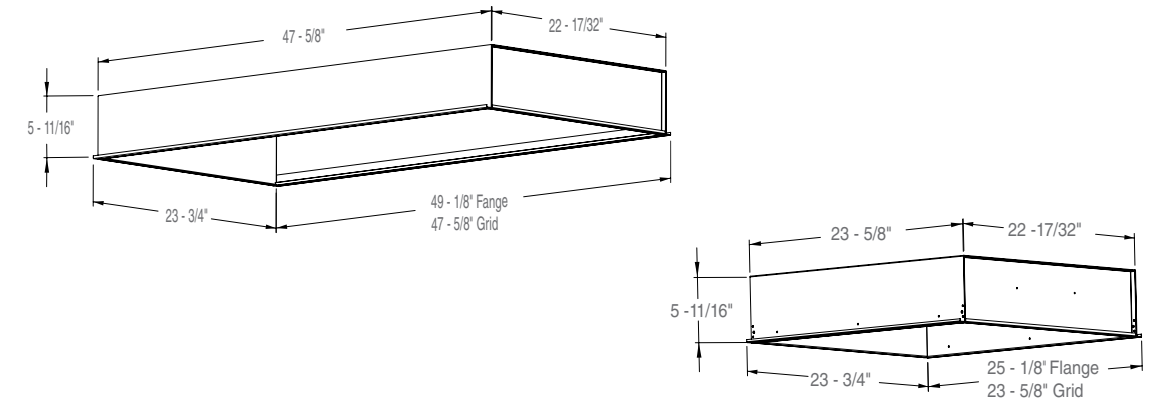


Construction

- 18 Ga steel housing
- 24 Ga steel reflectors
- 18 Ga steel door with concealed hinge and clear acrylic sanitary lens (optional)
- Polyester powdercoat finish; anti-microbial powdercoat finish is available
- High-impact, extruded acrylic lens basket with translucent acrylic insert (ambient section) with other optional insert patterns

Isometric Profile (Grid and Flange)

See website for flange-mount cut-out dimensions.



Photometry

HPT322

(4) 14w T5 Lamps - Mounted 6 ft. above Work plane and 1 ft. Off Headwall

+35.6	+36.4	+36.6	+36.4	+35.5
+38.0	+39.0	+39.2	+39.0	+37.9
+39.6	+40.7	+41.0	+40.6	+39.5
+40.3	+41.4	+41.7	+41.3	+40.2
+40.1	+41.1	+41.4	+41.1	+39.9
+39.0	+40.0	+40.2	+39.9	+38.8
+37.2	+38.1	+38.3	+38.0	+37.0
+34.8	+35.6	+35.8	+35.5	+34.6
+32.1	+32.8	+32.9	+32.7	+31.9
+29.2	+29.7	+29.8	+29.7	+29.0
+26.3	+26.7	+26.8	+26.6	+26.1
+23.5	+23.8	+23.9	+23.7	+23.3
+20.9	+21.2	+21.2	+21.1	+20.8

Avg: 34 • Max: 42 • Min: 21

HPT324

(3) 28w T5 Lamps - Mounted 6 ft. above Work plane and 1 ft. Off Headwall

+35.6	+36.4	+36.6	+36.4	+35.5
+38.0	+39.0	+39.2	+39.0	+37.9
+39.6	+40.7	+41.0	+40.6	+39.5
+40.3	+41.4	+41.7	+41.3	+40.2
+40.1	+41.1	+41.4	+41.1	+39.9
+39.0	+40.0	+40.2	+39.9	+38.8
+37.2	+38.1	+38.3	+38.0	+37.0
+34.8	+35.6	+35.8	+35.5	+34.6
+32.1	+32.8	+32.9	+32.7	+31.9
+29.2	+29.7	+29.8	+29.7	+29.0
+26.3	+26.7	+26.8	+26.6	+26.1
+23.5	+23.8	+23.9	+23.7	+23.3
+20.9	+21.2	+21.2	+21.1	+20.8

Avg: 34 • Max: 42 • Min: 21

See website for IES files

Ordering Information

EXAMPLE: HPT324 G 120 TAI 3 T8 LV3 2C LNL AM

Trilume

SERIES	PRODUCT	SIZE	MOUNTING	VOLTAGE	DIFFUSER	LAMP QTY (AMB)	LAMPING	AMBIENT CONTROL	SWITCHING	OPTIONS	FINISH
HPT3		24 - 2x4 ft	G - Grid	120 - 120v	TAI - Translucent Acrylic	2	T8 ¹ - 17W (2 ft)	LV - Low Voltage Controller	1C - 1 Circuit	GLR - Fast-Blo Fuse	(blank) - Gloss White
		22 - 2x2 ft	F - Flange	277 - 277v	PAI - Perforated Acrylic Overlay	3	32W (4 ft)		2C - 2 Circuit - 2 or 3 level control	GMF - Slow-Blo Fuse	AM - Anti-Microbial White
			S - Surface	INVOLT - 120-277v	WAV - Acrylic Insert with Wave Pattern	4	T5 ² - 14W (2 ft)	LV3 - LVC with J-box, receptacle and Pillow Switch with Cord	3C - 3 Circuits	LNL - LED Night Light	
					PMB - Perforated metal basket		T5HO ² - 24W (2 ft)	SX - No Switch	DIM - Dimming	SL - Sanitary Lens and Door	
							54W (4 ft)				

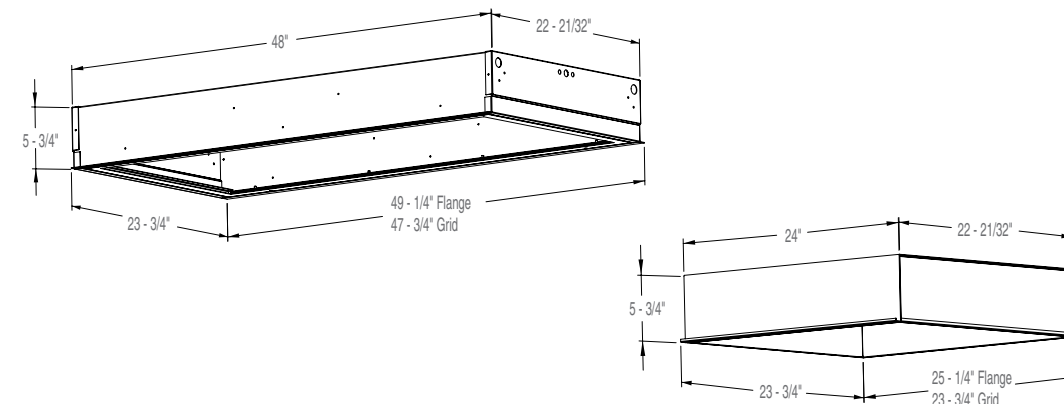
NOTES
1 T8 standard with instant start ballast
2 T5 standard with program start ballast
3 Consult factory for LED availability and specifications
4 Consult factory for availability of 347V

NOTE: Specifications subject to change without notice. Actual performance may differ as a result of end-user environment and application.



Isometric Profile (Grid and Flange)

See website for flange-mount cut-out dimensions.



The Trilume with Exam offers multi-purpose functionality in a clean design that is more contemporary. The patient and exam sections run the full length of the fixture for more uniform light distribution over the bed surface.

Exam lighting is asymmetrically directed from each side of the fixture toward the bed surface, providing effective distribution and limited light trespass while mitigating shadows. A full-length sanitary lens with concealed hinge door frame is standard. If a low voltage controller is included (optional), light levels can be conveniently adjusted via the nurse call system or using a separate pendant pillow switch (optional).

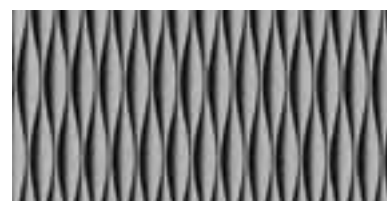
Specifications & Features

- Patient and caregiver lighting with separate controls
- Tri-level control (3 lamp option) for ambient, reading, and task lighting
- Low voltage controller (option) allows patient control from nurse call system
- Separate exam sections asymmetrically deliver light toward the bed
- Sanitary lens with concealed hinge design improves cleanliness
- Entirely serviceable from within the room

Switching

- Line voltage switching (by others)
- 1 circuit (on/off) or 2 circuit (bi-level or tri-level) control of patient lighting
- Class 2 low voltage controller (optional) for patient lighting control from nurse call system or pillow switch (optional)
- Dimmable

WAV optional acrylic insert wave pattern



PAI optional perforated acrylic insert pattern



Construction

- 18 Ga steel housing
- 24 Ga steel reflectors
- 18 Ga steel door with concealed hinge and clear acrylic sanitary lens
- Polyester powdercoat finish; anti-microbial powdercoat finish is available
- High-impact, extruded acrylic lens basket with translucent acrylic insert (ambient section) and optional insert patterns

Photometry

HPT524: Patient Lighting

(3) 28w T5 Lamps in Ambient Section
Mounted 5 ft. above Work plane and 1.5 ft. Off Headwall

+60.5	+62.3	+62.8	+62.3	+60.5
+66.3	+68.7	+69.3	+68.7	+66.3
+71.9	+74.7	+75.5	+74.7	+71.9
+76.8	+80.1	+81.0	+80.1	+76.8
+80.4	+83.9	+85.2	+83.9	+80.4
+82.8	+86.6	+87.8	+86.6	+82.8
+83.5	+87.1	+88.3	+87.1	+83.5
+81.7	+85.4	+86.6	+85.4	+81.7
+78.1	+81.5	+82.7	+81.5	+78.1
+73.3	+76.4	+77.3	+76.4	+73.3
+67.3	+69.8	+70.6	+69.8	+67.3
+60.5	+62.6	+63.2	+62.6	+60.5
+53.7	+55.3	+55.8	+55.3	+53.7

Avg: 74 • Max: 88 • Min: 54

HPT524: Exam Lighting

(3) 28w T5 Lamps in Ambient Section and
(2) 54w T5HO Lamps in Exam Section
Mounted 5 ft. above Work plane and 1.5 ft. Off Headwall

+101	+102	+101	+102	+101
+111	+113	+112	+113	+111
+121	+123	+122	+123	+121
+130	+132	+132	+132	+130
+138	+140	+139	+139	+138
+142	+144	+143	+144	+142
+143	+145	+144	+145	+143
+140	+142	+141	+142	+140
+134	+136	+135	+136	+134
+125	+126	+126	+126	+125
+114	+115	+114	+115	+114
+102	+103	+102	+103	+102
+90.2	+90.8	+89.7	+90.8	+90.2

Avg: 123 • Max: 145 • Min: 90

See website for IES files

Ordering Information

EXAMPLE: HPT524 G 120 WAV 3 T8 LV 2C 2XT5HO

Trilume with Exam

SERIES	PRODUCT	SIZE	MOUNTING	VOLTAGE	DIFFUSER	LAMP QTY (AMB)	AMBIENT LAMPING	AMBIENT CONTROL	AMBIENT SWITCHING	EXAM LAMPING 2	OPTIONS	FINISH
HPT5		24 - 2x4 ft	G - Grid	120 - 120 v	TIA - Translucent Acrylic insert in acrylic lens	2	T8 - 17W (2 ft) 32W (4 ft)	LV - Low Voltage Controller	1C - 1 Circuit	2XT5HO - 1 per side 24W (2 ft) 54W (4 ft)	GLR - Fast-Blo Fuse	(blank) - Gloss White
		22 - 2x2 ft	F - Flange	277 - 277v	PAI - Perforated Acrylic insert; in acrylic lens	3	T5 - 14W (2 ft) 28W (4 ft)	LV3 - LVC with J-box, receptacle and Pillow Switch with Cord	2C - 2 Circuit - 2/3 level control	2XT5 - 1 per side: 14W (2 ft) 28W (4 ft)	GMF - Slow-Blo Fuse	AM - Anti-Microbial White
				MVOLT - 120 to 277v	PMB - Perforated Metal Basket	4	T5HO - 24w (2 ft) 54W (4 ft)	SX - No Switch	3C - 3 Circuits	2XT8 - 2 per side 17W (2 ft) 32W (4 ft)	LNL - LED Night Light	
					WAV - Acrylic insert with Wave Pattern				DM - 0-10v dimming	4XT5 - 2 per side: 14W (2 ft) 28W (4 ft)	BLP - Backlit Panel	
										4XT8 - 2 per side 17W (2 ft) 32W (4 ft)		

NOTES
1 Contact Factory for availability of 347V
2 Recommended Exam lamping is T5HO, which comes with custom parabolic reflector for best performance
3 T8 ballast standard instant start, T5 ballast standard program start

NOTE: Specifications subject to change without notice. Actual performance may differ as a result of end-user environment and application.

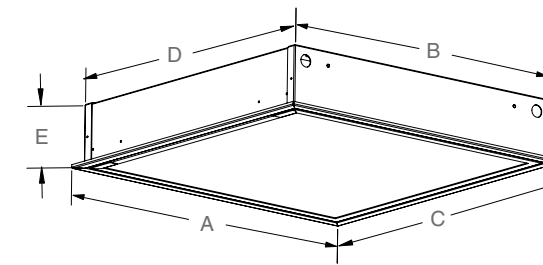
CEILING



CEILING

Isometric Profile (Grid and Flange)

See website for flange-mount cut-out dimensions.

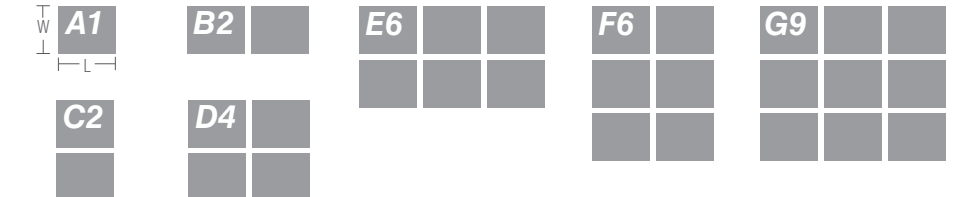


Dimensions	A	B	C	D	E
T8					
Flange	24"	22 - 1/2"	25 - 13/32"	24"	4 - 19/32"
Grid	23 - 3/4"	22 - 13/32"	23 - 3/4"	24"	4 - 19/32"
T5					
Flange	23 - 3/4"	22 - 7/8"	23 - 3/4"	22 - 15/32"	4 - 19/32"
Grid	23 - 3/4"	22 - 7/8"	23 - 3/4"	22 - 15/32"	4 - 19/32"

Fixture Configuration

Configuration	Size (W x L)
A1	2' x 2'
B2	2' x 4'
C2	4' x 2'
D4	4' x 4'
E6	4' x 6'
F6	6' x 4'
G9	6' x 6'

Gallery Chart 2X2



General lighting in radiology, oncology, and specialized treatment areas should create a calming atmosphere to ease patient tensions as much as possible. Ceiling fixtures with interesting graphics such as colorful landscape scenes can provide a pleasant distraction while patients are prone or recumbent for long periods of time.

For MRI applications, the fixture is available with entirely non-ferrous construction and a remotely-mounted LED driver (See page 96).

Visit the image library on our website to choose from a wide array of high-quality graphics from renowned National Geographic® photographers. Our proprietary lens construction results in a high-definition effect with amazing color. Choose a single fixture to provide a backlit focal point or spread the image across an arrangement of fixtures to provide a panoramic view.

Specifications & Features

- Vivid color, proprietary high-definition lens
- Library of impressive National Geographic® images
- Customized layouts and images are available; consult factory
- Multiple lamping options available
- Tool-free cam-lock tabs secure door against gasket for dust seal
- For LED / MRI fixture, see page 96

Switching

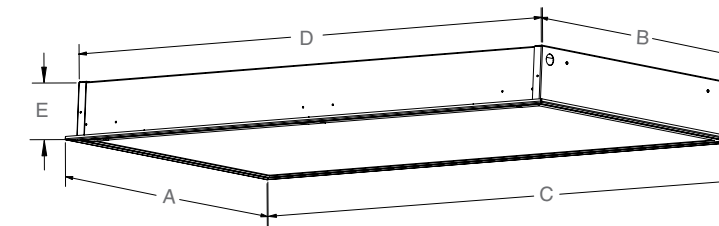
- Line voltage switching (by others)

Construction

- 18 Ga steel housing and door frame
- Clean, concealed hinge design
- High-impact polymer translucent photographic lens
- Polyester powdercoat finish; anti-microbial powdercoat finish is available

Isometric Profile (Grid and Flange)

See website for flange-mount cut-out dimensions.

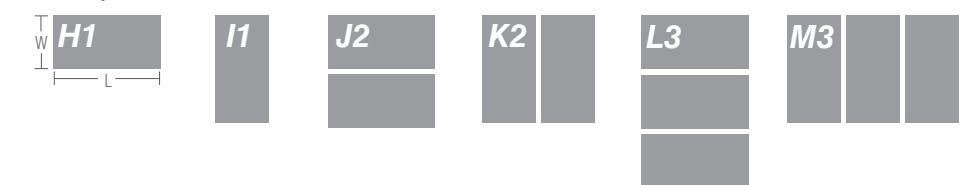


Dimensions	A	B	C	D	E
T8					
Flange	24"	22 - 1/2"	49 - 13/32"	48"	4 - 19/32"
Grid	23 - 3/4"	22 - 13/32"	47 - 3/4"	48"	4 - 19/32"
T5					
Flange	23 - 3/4"	22 - 7/8"	47 - 3/4"	46 - 15/32"	4 - 5/32"
Grid	23 - 3/4"	22 - 7/8"	47 - 3/4"	46 - 15/32"	4 - 5/32"

Fixture Configuration

Configuration	Size (W x L)
H1	2' x 4'
I1	4' x 2'
J2	4' x 4'
K2	4' x 4'
L3	6' x 4'
M3	4' x 6'

Gallery Chart 2X4



Ordering Information

EXAMPLE: HCV122 G MVOLT SP0 T5 B2 G1277

ComfortView

SERIES	Product	Size	MOUNTING	VOLTAGE	FIXTURE SPACING	LAMPING	CONFIG	IMAGE NUMBER	OPTIONS	FINISH
HCV1 -	Fluorescent	24 - 2x4 ft	G - Grid	MVOLT - 120 to 277v	SP0 - 0-inch SP1 - 1-inch (Standard Grid) SP15 - 1.5 inch grid SPN - Non-Std ³	T8 ² - 17W (2ft) 32W (4ft) T5 ² - 14W (2ft) 28W (4ft) LED35 - 3500k	A1 B2 C2 D4 E6 F6 ⁴ G9 ⁴ H1 I1 J2 K2 L3 ⁴ M3	See image gallery on website www.healthcare-lighting.com	GLR - Fast-Blo Fuse GMF - Slow-Blo Fuse DM - 0-10v Dimming SX - No Switch	(blank) - Gloss White AM - Anti-Microbial White

NOTES

- 1 Comes standard with universal voltage ballast or driver
- 2 Four lamps per fixture to provide even backlighting
- 3 Contact factory for non-standard grid size to preserve patterns
- 4 Certain images not available in F, G, and L patterns
- 5 See image gallery at healthcare-lighting.com

NOTE: Specifications subject to change without notice. Actual performance may differ as a result of end-user environment and application.



Streamlined and unobtrusive, a set of Tandem fixtures offers an ideal combination of form and function. Each individual fixture, mounted outboard of the patient bed, asymmetrically distributes light toward the bed but outside of the patient's direct line of sight. Shadowing is reduced because light is delivered from both sides of the bed.

Specifications & Features

- Light distribution from two angles minimizes shadows and glare
- Outboard mounting accommodates lift systems and other obstacles over center of patient bed
- Delivers consistent exam-level lighting over entire bed surface
- Sanitary lens with concealed hinge design improves cleanliness (optional)
- Entirely serviceable from within the room



Removable lens and end caps allow easy access to lamp and wiring compartments.

Construction

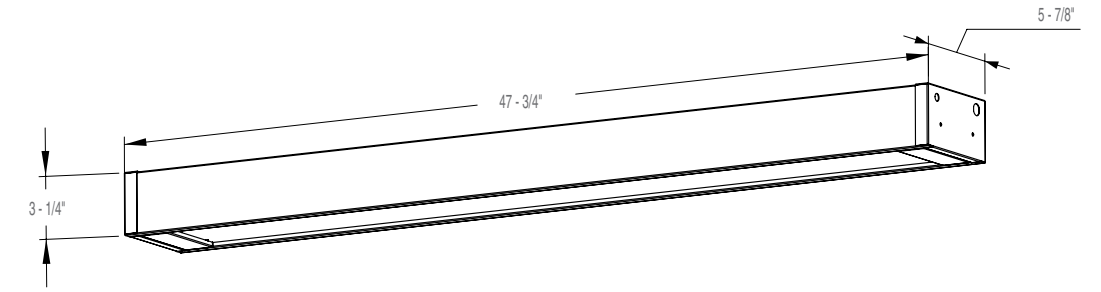
- 20 Ga steel housing
- Specular aluminum reflectors
- Prismatic polycarbonate lens
- Polyester powdercoat finish; anti-microbial powdercoat finish is available

Switching

- Line voltage switching (by others)
- Class 2 low voltage controller (optional) for patient lighting control from nurse call system or pillow switch (optional)

Isometric Profile

See website for flange-mount cut-out dimensions.



Photometry

HPT410: Patient Lighting

(1) 28w T5 Lamp per Fixture
Mounted 6 ft. above Work plane, 1 ft. Off Headwall and Spaced 3.5 ft. Apart, Center-to-Center

+28.2	+28.9	+29.1	+28.9	+28.1
+30.6	+31.4	+31.6	+31.3	+30.5
+32.7	+33.5	+33.8	+33.5	+32.6
+34.3	+35.2	+35.5	+35.2	+34.1
+35.4	+36.3	+36.6	+36.2	+35.2
+35.8	+36.8	+37.1	+36.7	+35.6
+35.5	+36.5	+36.8	+36.4	+35.3
+34.7	+35.6	+35.9	+35.5	+34.5
+33.2	+34.1	+34.4	+34.0	+33.0
+31.2	+32.0	+32.3	+31.9	+31.0
+28.9	+29.6	+29.8	+29.5	+28.7
+26.3	+27.0	+27.2	+26.9	+26.1
+23.8	+24.3	+24.5	+24.2	+23.6

Avg: 32 • Max: 37 • Min: 24

HPT410: Exam Lighting

(2) 54w T5HO and (1) 28w T5 Lamp per Fixture
Mounted 6 ft. above Work plane, 1 ft. Off Headwall and Spaced 3.5 ft. Apart, Center-to-Center

+132	+136	+137	+136	+131
+143	+148	+149	+148	+143
+153	+159	+160	+158	+153
+162	+167	+169	+167	+161
+167	+173	+175	+173	+167
+169	+175	+177	+175	+169
+168	+174	+176	+174	+168
+164	+169	+171	+169	+163
+156	+162	+163	+161	+156
+146	+151	+153	+151	+146
+135	+139	+140	+138	+134
+122	+125	+127	+125	+121
+109	+112	+113	+111	+108

Avg: 151 • Max: 177 • Min: 108

See website for IES files

Ordering Information

EXAMPLE: HPT410 G 120 LV GLR AM

Tandem

SERIES	MOUNTING	VOLTAGE	AMBIENT LAMPING	AMBIENT CONTROL	EXAM LAMPING	OPTIONS	FINISH
HPT4	10 - pair of fixtures 6in. by 4ft. G - Grid F - Flange	120 - 120v 277 - 277v MVOLT - 120-277v	(blank) - 1AT5 - 28W 1AT5HO - 54W	LV - Low Voltage Controller LV3 - LVC with J-box cover, receptacle and Pillow Switch with cord SX - No Switch DM - 0-10v dimming ⁵	(blank) - 2 ea. 54W T5HO per housing 2XT5 - 2 ea. 28W T5 per housing	SFO - Single fixture option one 6 in. x 4ft. fixture only GLR - Fast-Blo Fuse GMF - Slow-Blo Fuse SL - Sanitary Lens and Door	(blank) - Gloss White AM - Anti-Microbial White

NOTES
1 Contact Factory for availability of 347V
2 Exam lamp switching provided by others
3 Standard exam lamps are 2 54W T5HO
4 One Tandem consists of 2 4-foot long fixtures
5 Dimming only available with SX; dimming control by others
6 LV and LV1 is for patient control of ambient lamps
7 Consult factory for specifications

NOTE: Specifications subject to change without notice. Actual performance may differ as a result of end-user environment and application.



Within the patient room, recessed downlights can provide soothing ambient illumination for the whole space - or deliver more narrowly focused reading lighting for guests without light trespass to a resting patient. EVO® meets today's standards but with an eye on tomorrow. Its unobtrusive design, elegant in its simplicity, addresses general lighting applications throughout the facility. A modular design allows re-configuring of the light engine - mixing chamber, reflector, lenses, and LEDs can be independently changed - affording tremendous flexibility for upgrades as technology advances.

Specifications & Features

- Advanced solid-state components efficiently deliver lumen levels comparable to CFL fixtures
- Thermal design ensures that LED temperatures remain at or below 50% of the thermal limit - for enhanced color stability, better fixture-to-fixture consistency, and longer LED life
- Modular design allows future upgrades with advancing technology
- Retrofit kit allows simple renovation, without removal from ceiling
- Multiple lumen packages and aperture sizes provide exceptional uniformity and energy savings
- Positive locking mechanism assures precise alignment of reflector and light engine

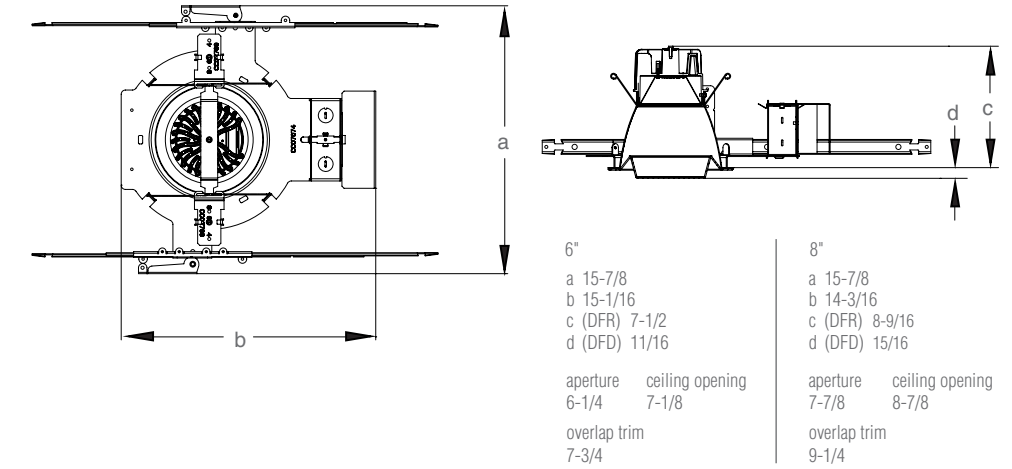
Switching

- Line voltage switching (by others)
- 0-10v dimming standard

Construction

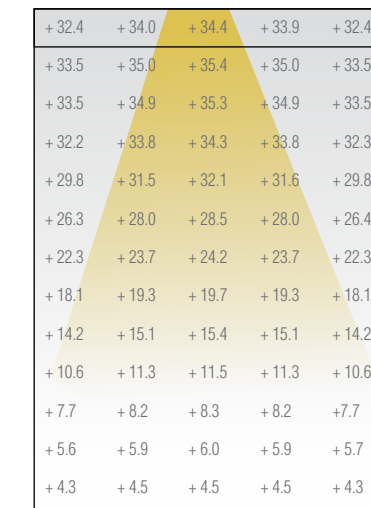
- Mixing chamber optics comprised of 98.5% reflective material and shaped to eliminate color separation and pixilation
- Lens composed of 92% transmissive holographic film for optimum light distribution
- Non-conductive, impact-modified acrylic face plate
- IP65 rated
- Vandal-resistant trim ring (option)

Dimensional Data



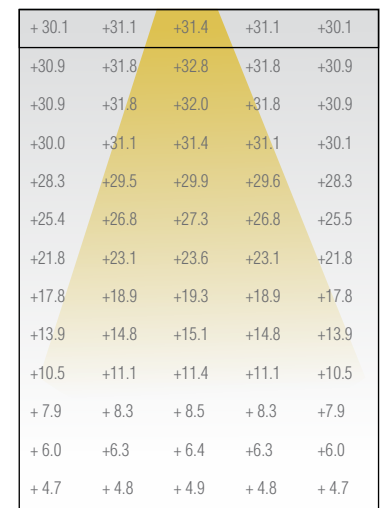
Photometry

ALED 35 18 6 DFR:
Mounted 6 ft. above Work plane, 1 ft. Off Headwall



Avg: 22 • Max: 35 • Min: 4

ALED 35 18 8 DFR:
Mounted 6 ft. above Work plane, 1 ft. Off Headwall



Avg: 20 • Max: 32 • Min: 5
See website for IES files

Ordering Information

EXAMPLE: ALED30 18 8 DFR PCL 277

SERIES Product	COLOR TEMP	NOMINAL LUMENS	APERTURE ¹	TRIM STYLE	LENS	VOLTAGE	DRIVER	OPTIONS	FINISH		
ALED - Sealed Downlight	27 - 2700 k	10 - 1000 lumens (6-inch)	6 - 6-inch	DFR - Non-conductive regressed (ALED)	PCL - 1/8" clear polycarbonate	120 - 120v	(blank) - 0-10v dimming	SF - Single Fuse	DWHG - Matte White		
VRALED - Vandal Resistant Downlight	30 - 3000 k	14 - 1400 lumens (6-inch)	8 - 8-inch	DFD - Non-conductive drop (ALED)	T73 - 3/16" Tempered Prismatic	277 - 277v	ECOS3 - Lutron Hi-Lume Dimming	ELR - Emergency Battery Pack	DDB - Dark Bronze		
	35 - 3500 k	18 - 1800 lumens (6- or 8-inch)								WR - White Trim (VRALED)	DBL - Black
	41 - 4100 k	22 - 2200 lumens (8-inch)								CVX - 3/16" clear convex glass	DMB - Medium Bronze
		29 - 2900 lumens (8-inch)		AR - Clear Trim (VRALED)				NSD - Sensor Switch nLight™ dimming relay	DNA - Natural Aluminum		

NOTES
1 Lens and Finish must be specified for VRALED only

NOTE: Specifications subject to change without notice. Actual performance may differ as a result of end-user environment and application.

Patient Room Wall Lighting

Fixture Comparison Details



WALL

WALL

			
<i>Chrysalite</i> Page 40	<i>Archer</i> Page 42	<i>Stratus</i> Page 44	<i>Sierra</i> Page 46

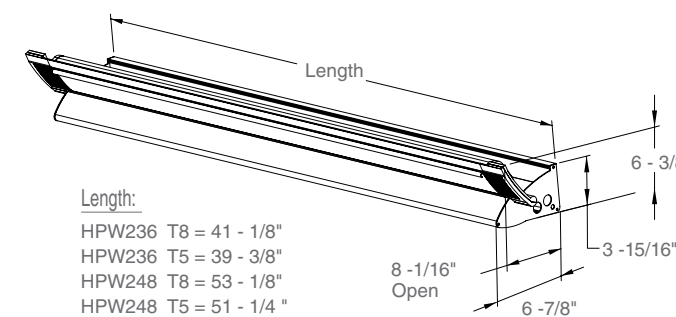
Patient Wall Lighting

The most effective means of providing patient ambient and reading light is from the headwall. Because the fixture is mounted above and behind the patient, light is distributed precisely where it is needed – onto the actual page of the book or task. Lighting from the headwall is more comfortable because lamping is not directly within the patient's line of sight, eliminating glare. A fixture that provides both direct and indirect lighting, with sequential control, offers ideal patient versatility. The indirect mode can be selected for ambient illumination, the direct mode for reading, or both indirect/direct for patients who need more light for reading/tasks.

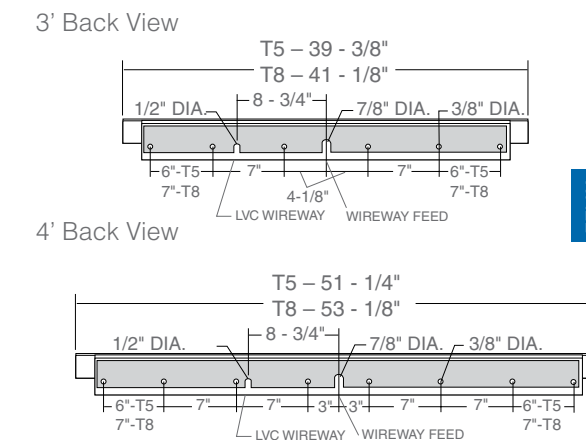
Wall Fixture Comparison Chart	Chrysalite	Archer	Stratus	Sierra
Performance				
Examination light	•			
Direct and indirect lighting (sequential)	•	•	•	•
Chart light (opt)	•	•	•	•
Convenience outlet (opt)			•	•
Bed stop (opt)	•	•	•	•
ADA compliant				•
Complementary vanity length available		•	•	•
Installation & Maintenance				
Entirely serviceable from within the room	•	•	•	•
Unitized ballast tray			•	
Separate wall mounting bracket	•	•		
Construction				
Aluminum extruded housing, die cast end caps	•	•	•	•
High impact acrylic lenses	•	•	•	•
Polyester powdercoat, post fabrication	•	•	•	•



Isometric Profile



Back View

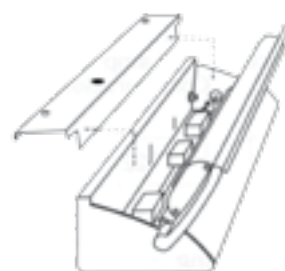
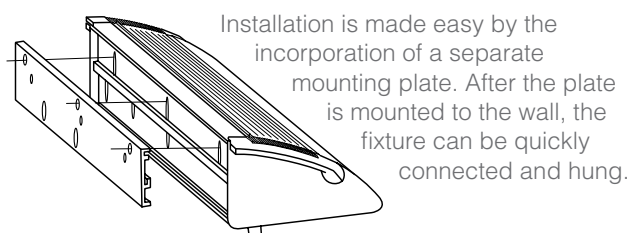


The Chysalite is a stylish solution for wall-mounted patient bed lighting. Photometric testing shows that placement above and behind the patient delivers optimal distribution of light for reading. If a low voltage controller is included (optional), light levels can be adjusted via the nurse call system or using a separate pendant pillow switch (optional).

Specifications & Features

- Delivers multiple light levels for patient and caregiver: indirect, direct, both, as well as flip-top examination section
- Unique convenience switch (option) allows exam lighting to illuminate automatically when exam head is flipped open. Automatically returns to previous light mode when exam head is closed
- Top and bottom lenses are fully supported in grooves to prevent sagging
- Separate mounting plate makes installation easy; mount rigid but lightweight plate to wall and then install fixture
- Low voltage controller (option) allows patient control from nurse call system or separate pillow switch (option)
- Multiple lamping options available
- Tool-free access to ballast compartment while fixture remains on wall
- Single-piece extruded aluminum body with die-cast handles for extreme durability
- Entirely serviceable without removal from wall

Installation & Maintenance



The Chysalite is designed for ease of maintenance. When required, ballast cover is removed without tools to access the wiring compartment. No tools are required to relamp the fixture.

Switching

- Line voltage switching (by others)
- Class 2 low voltage controller (optional) for patient control of up and down light sequentially from nurse call system or pillow switch (optional)
- 2-position pull chain for on/off control or 4-position pull chain for sequential control of up and down light (120v only)
- Convenience switch (option) for automatic illumination of all lamps upon opening of exam head; automatic return to previous light mode when exam head is closed

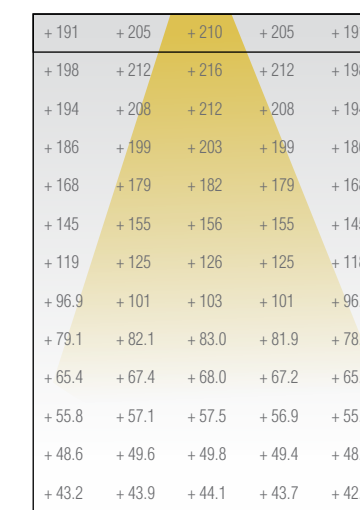
Photometry

HPW248: Patient Lighting
(1) 54w T5HO Lamp, Direct (Down)
Exam Head Closed
Mounted on Headwall, 3 ft. above Work plane



Avg: 47 • Max: 146 • Min: 7

HPW248: Exam Lighting
(2) 54w T5HO Lamps Up and (2) T5HO Lamps Down,
Exam Head Flipped Open
Mounted on Headwall, 3 ft. above Work plane



Avg: 127 • Max: 216 • Min: 43
See website for IES files

Ordering Information

EXAMPLE: HPW248 277 T8 2U2D LV2L CS LCR AM

Chysalite

SERIES	VOLTAGE	LAMPING TYPE 7	LAMP CONFIG	SWITCHING	OPTIONS	FINISH
Product: HPW2 Size: 48 - inches 36 - inches	120 - 120v 277 - 277v	T8 - 32W (4ft) 25W (3ft) T5 - 28W (4ft) 21W (3ft) T5HO 1 - 54W (4ft) 39W (3ft)	2U1D - 2 Up, 1 Down 2U2D - 2 up, 2 down	LV - Low Voltage Controller -sequential switching LV1L - LVC with Pillow Switch for Downlight on Left LV1R - LVC with Pillow Switch for Downlight on Right LV2L - LVC with pillow switch on Left- sequencing up + down light LV2R - LVC with pillow switch on Right- sequencing up + down light S2L - On/Off pull chain on left S2R - On/Off pull chain on right S2C - On-off pull chain center S4L - 4-position pull chain on left S4R - 4-position pull chain on right S4C - 4-position pull chain center SX - No Switch	CS - Convenience Switch 1 LCR - LED Chart Light with switch on right LCL - LED Chart Light with switch on left BD - Bed-stop switch GLR - Fast-Blo Fuse GMF - Slo-Blo Fuse	(blank) - Flat White AM - Anti-Microbial white CC - CustomColor 2

NOTES
1 T5HO Must Include Convenience Switch (CS)
2 Custom color requires factory pricing
3 Switching: S2 and S4 options are compatible with 120v only
4 Wall mount brackets included, packaged separately
5 T8 Instant Start Ballast, T5 Program Start Ballast
6 Consult factory for 347v availability
7 T8 ballast standard instant start, T5 ballast standard program start

NOTE: Specifications subject to change without notice. Actual performance may differ as a result of end-user environment and application.



WALL

The Archer bed light provides versatility with optional sequential switching for patient room ambient and task lighting. The sleek housing profile echoes the Chrysalite and can be used together to create a complementary look in a lighting design.

Multiple lamping and switching options allow this fixture to be used in a wide array of applications. As a bed light, placement above the patient on the headwall delivers optimal distribution of light for reading and also comfortable ambient illumination. If a low voltage controller is included (optional), light levels can be adjusted via the nurse call system or using a separate pendant pillow switch (optional). This fixture is also a good choice for guest lighting.

Specifications & Features

- Delivers multiple light levels for patient: indirect, direct, both
- Top and bottom lenses are fully supported in grooves to prevent sagging
- Separate mounting plate makes installation easy; mount rigid but lightweight plate to wall and then install fixture
- Low voltage controller (option) allows patient control from nurse call system or separate pillow switch (option)
- Multiple lamping options available
- Tool-free access to ballast compartment while fixture remains on wall
- Single-piece extruded aluminum body for extreme durability
- Entirely serviceable without removal from wall

Switching

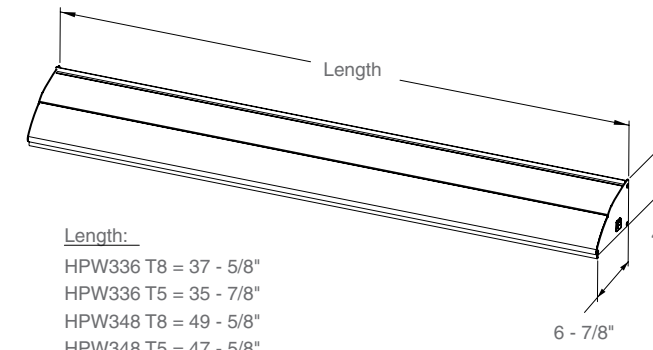
- Line voltage switching (by others)
- Class 2 low voltage controller (optional) for patient control of up and down light sequentially from nurse call system or pillow switch (optional)
- 2-position pull chain for on/off control or 4-position pull chain for sequential control of up and down light (120v only)

Construction

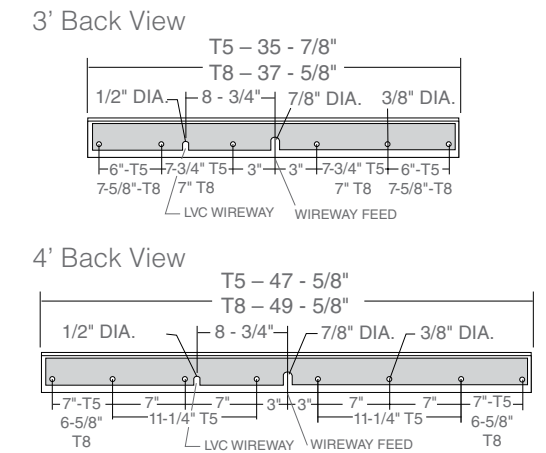
- Extruded aluminum housing
- Die-cast aluminum end caps
- High impact acrylic lenses, UV-treated to prevent yellowing with age
- Polyester powdercoat finish; anti-microbial powdercoat finish is available

WALL

Isometric Profile

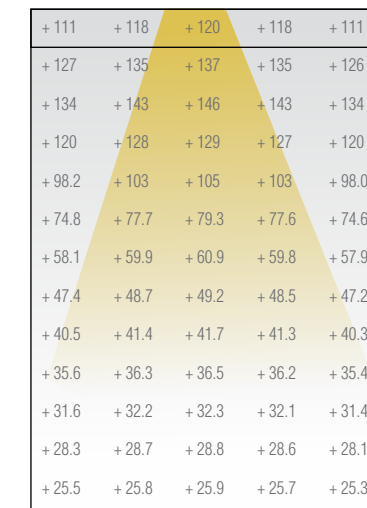


Back View



Photometry

HPW348
 (2) 28w T5 Lamps Up and (2) 28w T5 Lamps Down
 Mounted on Headwall, 3 ft. above Work plane



Avg: 74 • Max: 146 • Min: 25

HPW348
 (2) 32w T8 Lamps Up and (2) 32w T8 Lamps Down
 Mounted on Headwall, 3 ft. above Work plane



Avg: 67 • Max: 130 • Min: 23

See website for IES files

Ordering Information

EXAMPLE: HPW348 277 T8 2U2D LV2L LCL AM

Archer

SERIES	VOLTAGE	LAMPING TYPE	LAMP CONFIG	SWITCHING	BALLAST OPTIONS	OPTIONS	FINISH
Product Size							
HPW3 48 - inches	120 - 120v	T8 - 32W (4ft), 25W (3ft)	2U1D - 2 Up, 1 Down	LV - Low Voltage Controller - sequential switching	Blank - Default to GEB10IS for T8 GEB10PS for T5	LCR - LED Chart Light with switch on Right	(blank) - Flat White
36 - inches	277 - 277v	T5 - 28W (4ft), 21W (3ft) T5HO - 54W (4ft) 39W (3ft) LED35 - 3500k LED 6	2U2D - 2 up, 2 down 1U1D - 1 up, 1 down 1U2D - 1 up, 2 down 0U1DMT - 1 Down only with top plate 0U2DMT - 2 Down only with top plate	LV1L - LVC with Pillow Switch for Downlight on left LV1R - LVC with Pillow Switch for Downlight on Right LV2L - LVC with pillow switch on Left- sequencing up + down light LV2R - LVC with pillow switch on Right - sequencing up + down light S2L - On/Off pull chain on left S2R - On/Off pull chain on right S2C - On-off pull chain center S4L - 4-position pull chain on left S4R - 4-position pull chain on right S4C - 4-position pull chain center SX - No Switch	I48 - Iota Emergency ballast for One T8 I320 - Iota Emergency ballast for One T5	LCL - LED Chart Light with switch on Left BD - Bed-stop switch GLR - Fast-Blo Fuse GMF - Slo-Blo Fuse	AM - Anti-Microbial white CC - Custom Color 1

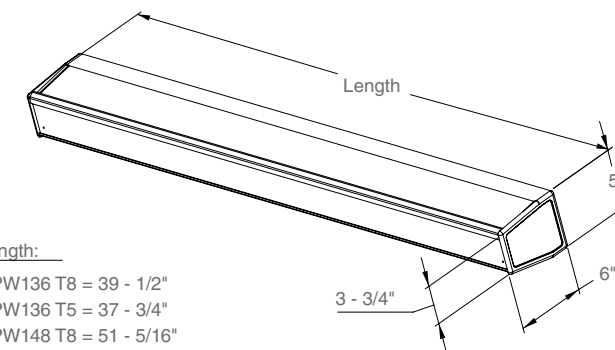
NOTES
 1 Custom color requires factory pricing
 2 Switching: S2 and S4 options are compatible with 120v only
 3 Wall mount brackets included, packaged separately
 4 T8 Instant Start Ballast; T5 Program Start Ballast
 5 Consult factory for 347v availability
 6 Consult factory for LED availability and specifications

* Additional sizes available: HPW324 (24") turn to page 60.

NOTE: Specifications subject to change without notice. Actual performance may differ as a result of end-user environment and application.

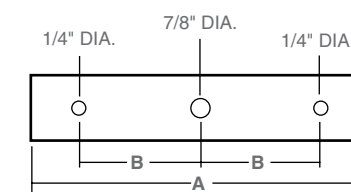


Isometric Profile



Length:
HPW136 T8 = 39 - 1/2"
HPW136 T5 = 37 - 3/4"
HPW148 T8 = 51 - 5/16"
HPW148 T5 = 49 - 1/2"

Back View



T8 Lamps

Length	A	B	C
3'	39 - 1/2"	17 - 1/2"	8 - 1/4"
4'	51 - 5/16"	23 - 3/8"	8 - 1/4"

T5 Lamps

Length	A	B	C
3'	37 - 3/4"	16 - 5/8"	8 - 1/4"
4'	49 - 1/2"	22 - 1/2"	8 - 1/4"

The Stratus bed light can be customized in color and design to add vibrancy to a patient room and to provide a cost-effective way to change the look for future renovation. Choose from a variety of attractive opaque laminates for the front panel or get really creative with a translucent panel design for a backlit effect. You might even specify a complementary color for the powdercoat finish of the fixture itself.

If ease of maintenance is a priority, the Stratus should be your fixture of choice. The front panel is framed by a hinged door which opens for easy access to lamps. The ballast tray assembly is quickly and easily removed without tools by simply sliding the lenses and divider panels out of their channels and releasing the quick-disconnect plug.

Specifications & Features

- Delivers multiple light levels for patient: indirect, direct, both
- Door inserts are replaceable for future renovations; inserts available in various patterns, solid laminate or backlit (translucent); contact company for customized graphics
- Top and bottom lenses are fully supported in grooves to prevent sagging
- Low voltage controller (option) allows patient control from nurse call system or separate pillow switch (option)
- Multiple lamping options available
- Quick and easy maintenance: modular ballast assembly with quick-disconnect allows tool-free removal from installed fixture, hinged door stays open for easy relamping

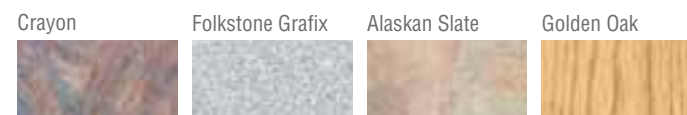
Switching

- Line voltage switching (by others)
- Class 2 low voltage controller (optional) for patient control of up and down light sequentially from nurse call system or pillow switch (optional)
- 2-position pull chain for on/off control or 4-position pull chain for sequential control of up and down lights (120v only)

Construction

- Extruded aluminum body, ballast tray, and door
- Die-cast aluminum end caps
- Prismatic acrylic lenses, UV-treated to prevent yellowing with age
- Formica laminate or translucent (option) door inserts
- Polyester powdercoat finish; anti-microbial powdercoat finish is available

Choose from our standard inserts or any pattern offered by Formica® or Wilsonart® to match your room decor.



Photometry

HPW148: Downlight

(2) 32w T8 Lamps Down
Mounted on Headwall, 3 ft. above Work plane

+86.1	+91.9	+93.8	+91.9	+86.1
+83.3	+88.9	+90.8	+88.9	+83.2
+72.6	+77.5	+78.9	+77.5	+72.5
+58.8	+62.6	+63.6	+62.6	+58.7
+45.9	+48.4	+49.3	+48.4	+45.8
+35.1	+36.8	+37.4	+36.7	+35.0
+26.8	+27.8	+28.2	+27.8	+26.7
+20.6	+21.3	+21.6	+21.3	+20.5
+16.2	+16.6	+16.8	+16.6	+16.1
+12.9	+13.3	+13.4	+13.2	+12.9
+10.7	+10.9	+10.9	+10.8	+10.6
+9.0	+9.2	+9.2	+9.1	+9.0
+7.8	+7.9	+8.0	+7.9	+7.8

Avg: 39 • Max: 94 • Min: 8

HPW148: Uplight and Downlight

(2) 32w T8 Lamps Up and (2) 32w T8 Lamps Down
Mounted on Headwall, 3 ft. above Work plane

+89.8	+95.4	+97.1	+95.4	+89.8
+88.8	+94.3	+96.1	+94.3	+88.7
+80.0	+84.8	+86.2	+84.8	+79.9
+67.2	+70.9	+71.9	+70.9	+67.1
+55.0	+57.5	+58.4	+57.5	+54.9
+44.9	+46.6	+47.3	+46.6	+44.8
+36.9	+38.0	+38.4	+37.9	+36.7
+30.6	+31.4	+31.7	+31.4	+30.4
+25.9	+26.4	+26.6	+26.4	+25.7
+22.2	+22.6	+22.7	+22.5	+22.1
+19.4	+19.7	+19.8	+19.6	+19.3
+17.3	+17.5	+17.5	+17.4	+17.1
+15.5	+15.7	+15.7	+15.6	+15.4

Avg: 47 • Max: 97 • Min: 15
See website for IES files

Ordering Information

EXAMPLE: HPW148 120 T8 2U2D LV2R LCL CR FW

Stratus

SERIES	Product	Size	VOLTAGE	LAMPING TYPE	LAMP CONFIG	SWITCHING	OPTIONS	EMERGENCY BALLASTS	DOOR INSERTS	FINISH
HPW1		48 inches	120 - 120v	T8 - 32W (4ft), 25W (3ft), 17W (2ft)	2U1D - 2 Up, 1 Down 2U2D - 2 up, 2 down	LV - Low Voltage Controller - sequential switching LV1L - LVC with Pillow Switch for Downlight on left LV1R - LVC with Pillow Switch for Downlight on Right LV2L - LVC with pillow switch on Left- sequencing up + down light LV2R - LVC with pillow switch on Right- sequencing up + down light	CO - Grounded Convenience Outlet (120V) ⁴ LCL - LED Night Light on Left LCR - LED Night Light on Right GLR - Fast-Blo Fuse GMF - Slo-Blo Fuse	B50 - Bodine 2-lamp B70A - Bodine 1-lamp I48 - T8 One-Lamp Emergency I320 - T5 One-Lamp Emergency	(blank) - Flat White CR - Crayon AS - Alaskan Slate FG - Folk-Stone Granite GO - Golden Oak CCD - Custom Specified ²	(blank) - Flat White AM - Anti-Microbial White CC - Custom Color ²
		36 inches	277 - 277v	T5 - 28W (4ft), 21W (3ft), 14W (2ft)	1U1D - 1 up, 1 down 1U2D - 1 up, 2 down 0U1DMT - 1 Down only with top plate 0U2DMT - 2 Down only with top plate	S2L - On/Off pull chain on left S2R - On/Off pull chain on right S2C - On-off pull chain center S4L - 4-position pull chain on left S4R - 4-position pull chain on right S4C - 4-position pull chain center SX - No Switch				
		24 inches	MVOLT - 120 - 277v							

NOTES

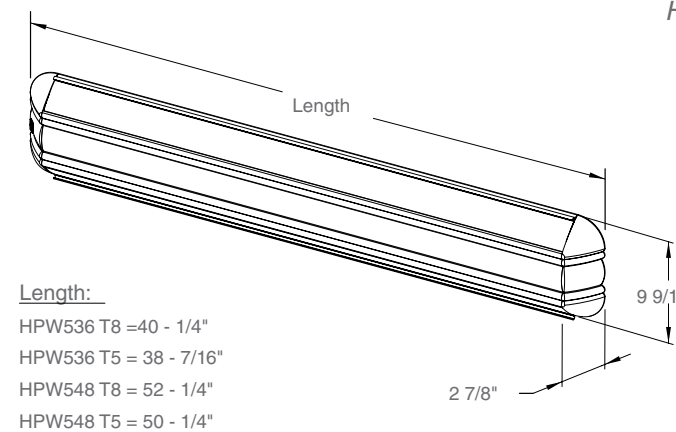
- 1 Switching: S2 and S4 options are compatible with 120v only.
- 2 Custom color and custom door insert require factory pricing
- 3 Laminate and backlit door require factory pricing
- 4 CO Option only with 120V
- 5 Consult factory for availability of 347v

* Additional sizes available turn to page 56.

NOTE: Specifications subject to change without notice. Actual performance may differ as a result of end-user environment and application.



Isometric Profile



Length:
HPW536 T8 = 40 - 1/4"
HPW536 T5 = 38 - 7/16"
HPW548 T8 = 52 - 1/4"
HPW548 T5 = 50 - 1/4"

The Sierra combines beauty and function in a fixture that is also ADA compliant. Its low profile design is a perfect choice for patient rooms, corridors, and stairways. The sleek, sloping design shields lamp silhouette while providing forward distribution of light. When a low voltage controller is included (optional), light levels can be adjusted via the nurse call system or using a separate pendant pillow switch.

An optional occupancy sensor improves efficiency for corridor and stairway applications. The grounded convenience outlet option is popular when the fixture is installed in bathrooms or long-term care patient rooms.

Specifications & Features

- Delivers multiple light levels for patient: indirect, direct, both
- Low profile complies with the Americans with Disabilities Act (ADA)
- Uniquely contoured architectural design
- Sloping lenses shield lamp silhouette, eliminating glare and reducing dust build-up
- High efficiency asymmetric specular reflectors provide forward light distribution
- Low voltage controller (option) allows patient control from nurse call system or separate pillow switch (option)
- Multiple lamping options available
- Single-piece extruded aluminum body with die-cast aluminum end caps for extreme durability



Durable, heavy gauge extruded aluminum face with matching die cast end caps allow many years of reliable service in some of the most demanding hospital applications.

Construction

- Extruded aluminum body
- Die-cast aluminum end caps
- 94% specular aluminum reflectors with proprietary asymmetric design
- High impact acrylic lenses, UV-treated to prevent yellowing with age
- Polyester powdercoat finish; anti-microbial powdercoat finish is available

Switching

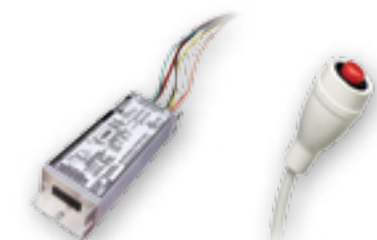
- Line voltage switching (by others)
- Class 2 low voltage controller (optional) for patient control of up and down light sequentially from nurse call system or pillow switch (optional)
- 2-position pull chain for on/off control or 4-position pull chain for sequential control of up and down lights (120V only)

Photometry

HPW548
(1) 28w T5 Lamp Up and (1) 28w T5 Lamp Down
Mounted on Headwall, 3 ft. above Work plane

+39.8	+42.4	+42.9	+42.3	+39.8
+53.2	+56.7	+57.5	+56.7	+53.1
+59.4	+63.4	+64.5	+63.3	+59.3
+57.8	+61.3	+62.5	+61.2	+57.7
+52.8	+55.7	+56.5	+55.6	+52.7
+46.9	+49.2	+49.8	+49.2	+46.8
+41.2	+43.0	+43.5	+42.9	+41.1
+36.0	+37.3	+37.7	+37.2	+35.8
+31.6	+32.5	+32.8	+32.4	+31.4
+27.4	+28.1	+28.3	+28.0	+27.2
+23.6	+24.1	+24.3	+24.0	+23.5
+20.6	+20.9	+21.0	+20.8	+20.4
+18.1	+18.4	+18.4	+18.3	+17.9

Avg: 40 • Max: 64 • Min: 18.
See website for IES files



Solid state Class 2 UL[®] rated Low Voltage Controller (LV) for optimum patient control by interfacing with all nurse call systems. A pillow switch allows class 2 switching when no nurse call is available (LV1 and LV2).

Ordering Information

EXAMPLE: HPW548 277 T5 2U1D S4R LCL

SERIES	Product	Size	VOLTAGE	LAMPING TYPE	LAMP CONFIG	SWITCHING	BALLAST CONFIG	BALLAST OPTIONS	OPTIONS	EMERGENCY BALLASTS	FINISH
HPW5	48 - inches	120 - 120v	T8 - 32W (4 ft), 25W (3 ft), 17W (2ft), 15W (18 in)	2U1D - 2 Up, 1 Down T5 or LED	LV - Low Voltage Controller	(blank) - 2 ballasts (One up, One Down)	GEB10IS - Generic Inst Start Ballast for T8	COL - Convenience Outlet on Left (120v)	I48 - T8 One-Lamp Emergency	(blank) - Flat White	
	36 - inches	277 - 277v	T5 - 28W (4ft), 21W (3ft), 14W (2ft)	2U2D - 2 up, 2 down T5 or LED	LV1L - LVC with Pillow Switch for Downlight on left	1/2 - 1 2-lamp ballast (one circuit for 1U1D)	GEB10PS - Generic Prog Start Ballast for T5 or HO	COR - Convenience Outlet on Right (120v)	I320 - T5 One-Lamp Emergency	AM - Anti-Microbial White	
	24 - inches	MVOLT - 120 - 277v	T5HO - 54W (4ft), 39W (3ft), 24W (2ft)	1U1D - 1 up, 1 down	LV1R - LVC with Pillow Switch for Downlight on Right	2/1 - 2 1-lamp ballasts (for 1U1D only)	GEB10DIM - 0-10v dimming ballast	LCL - LED Night Light Left side		CC - Custom Color ³	
	18 - inches			1U2D - 1 up, 2 down T5	LV2L - LVC with pillow switch on Left- sequencing up + down light		DMHL3D - Lutron Hi-Lume	LCR - LED Night Light Right side			
					LV2R - LVC with pillow switch on Right- sequencing up + down light		ADEZ - Mark X dimming ballast	TR - Tamper Resistant Lens Bracket and Screws			
					S2R - On/Off pull chain on right		ADZT - Mark VII dimming ballast	GLR - Fast-Blo Fuse			
					S2L - On/Off pull chain on left			GMF - Slo-Blo Fuse			
					S4R - 4-position pull chain on right						
					S4L - 4-position pull chain on left						
					SX - No Switch						

NOTES
1 Switching: S2 and S4 options are compatible with 120v only.
2 Two lamps up or down only with T5, not T8 or T5HO
3 Custom Color requires factory pricing
4 MVOLT not available with switching, CO or special ballasts; must specify voltage
5 HPW518 is only available with one circuit, 2 Lamps
6 EM1 Option is not available with LV options
7 CO Option with 120V only
8 Consult factory for availability of 347V

NOTE: Specifications subject to change without notice. Actual performance may differ as a result of end-user environment and application.



LED NIGHT LIGHT

LED NIGHT LIGHT



LED Night Light Fixture Comparison Chart	Geo	Oval	Pathfinder
Performance			
Double-face (thru-wall) version available			•
Photocell, integral (opt)	•		
ADA compliant	•	•	•
Amber LED (opt)	•	•	•
Integral LED driver			
120v	•	•	
Universal (120-277v)			•
Installation & Maintenance			
Single gang box mounting (by others)	•	•	
Custom backbox (included) for single or double face			•
Construction			
Aluminum die cast housing	•	•	
Louvered steel faceplate			•
High impact polycarbonate lens	•	•	
Polyester powdercoat, post fabrication	•	•	•

Patient LED Night Lights

Night lighting in a patient room is an important safety concern. Hospital staff requires sufficient light to safely enter the room at night, avoiding hazards such as spills and obstructions. Patients who are able to walk to the bathroom without assistance require enough light to see the path clearly in a darkened room. Ideally, night lighting should illuminate the floor while providing minimal disruption to the sleeping patient. Amber LEDs may be chosen in response to research that suggests this wavelength minimizes interruption of the body's natural circadian rhythm. Options such as photocells or occupancy sensors control when the fixtures are illuminated. Depending upon the layout of the room, more than one night light may be needed to properly illuminate the paths for both patient and caregiver.

LED NIGHT LIGHT



LED NIGHT LIGHT

Night lighting serves an important purpose in a medical facility. For ambulatory patients, sufficient light must be available to safely navigate from the bed to the restroom at night. Caregivers must see a clear path from hallway to bed and then have adequate light to observe the patient's condition, while minimizing disruption of the patient's sleep. Therefore, intensity and color of the light, as well as fixture placement, must be carefully considered.

Both the Geo and Oval offer rugged die cast aluminum housings that meet the standards of the Americans with Disabilities Act (ADA), extending only 1.3" off the wall. Choose from standard warm white or optional amber LEDs.

Specifications & Features

- Sleek design with flush contoured lens complements softer interior designs
- Integral photocell (Geo only) restricts illumination when ambient light is above a preset level
- Die cast aluminum faceplate offers supreme durability
- High efficiency LED light source, available in warm white, amber, or custom color (consult factory)

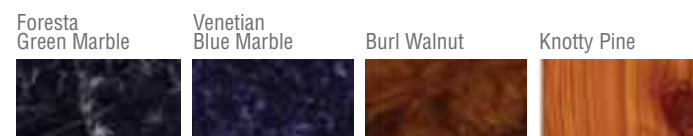
Switching

- Line voltage switching (by others)

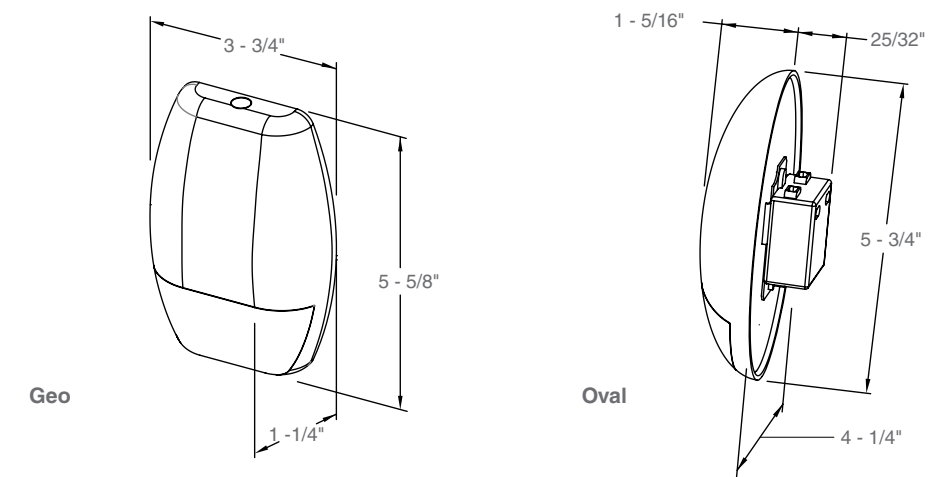
Construction

- Die-cast aluminum faceplate
- High-impact, frosted polycarbonate lens
- Mounts to a standard single-gang box (by others)
- Replaceable LED/driver assembly
- Polyester powdercoat finish; anti-microbial powdercoat finish is available

Decorative faux finishes (option) available to coordinate with — or blend into — any décor



Dimensional Data



Photometry

Geo Night Light, Mounted 18" above floor, centered on a 12' wall

+0.0	+0.1	+0.1	+0.1	+0.3	+0.4	+0.7	+0.8	+0.8	+0.7	+0.4	+0.2	+0.1	+0.1	+0.1	+0.0
+0.0	+0.1	+0.1	+0.1	+0.3	+0.4	+0.7	+0.8	+0.8	+0.7	+0.4	+0.3	+0.1	+0.1	+0.1	+0.0
+0.1	+0.1	+0.1	+0.2	+0.3	+0.4	+0.6	+0.7	+0.7	+0.6	+0.4	+0.3	+0.1	+0.1	+0.1	+0.1
+0.1	+0.1	+0.1	+0.2	+0.2	+0.3	+0.5	+0.5	+0.5	+0.5	+0.4	+0.2	+0.2	+0.1	+0.1	+0.1
+0.1	+0.1	+0.1	+0.1	+0.2	+0.3	+0.3	+0.4	+0.4	+0.3	+0.3	+0.2	+0.1	+0.1	+0.1	+0.1
+0.1	+0.1	+0.1	+0.1	+0.1	+0.2	+0.2	+0.3	+0.3	+0.2	+0.2	+0.2	+0.1	+0.1	+0.1	+0.1
+0.1	+0.1	+0.1	+0.1	+0.1	+0.1	+0.2	+0.2	+0.2	+0.2	+0.1	+0.1	+0.1	+0.1	+0.1	+0.1

Avg: 0.1 • Max: 0.8 • Min: 0.0

Oval Night Light, Mounted 18" above floor, centered on a 12' wall

+0.1	+0.1	+0.2	+0.3	+0.4	+0.5	+0.6	+0.6	+0.5	+0.4	+0.3	+0.2	+0.1	+0.1	+0.1	+0.1
+0.1	+0.1	+0.2	+0.3	+0.4	+0.5	+0.6	+0.6	+0.5	+0.4	+0.3	+0.2	+0.1	+0.1	+0.1	+0.1
+0.1	+0.2	+0.2	+0.3	+0.4	+0.5	+0.6	+0.6	+0.5	+0.4	+0.3	+0.2	+0.2	+0.1	+0.1	+0.1
+0.1	+0.2	+0.2	+0.3	+0.4	+0.5	+0.5	+0.5	+0.5	+0.4	+0.3	+0.2	+0.2	+0.1	+0.1	+0.1
+0.1	+0.1	+0.2	+0.2	+0.3	+0.4	+0.4	+0.4	+0.4	+0.3	+0.3	+0.2	+0.2	+0.1	+0.1	+0.1
+0.1	+0.1	+0.2	+0.2	+0.2	+0.3	+0.3	+0.3	+0.3	+0.3	+0.2	+0.2	+0.1	+0.1	+0.1	+0.1
+0.1	+0.1	+0.1	+0.2	+0.2	+0.2	+0.2	+0.2	+0.2	+0.2	+0.2	+0.1	+0.1	+0.1	+0.1	+0.1

Avg: 0.1 • Max: 0.6 • Min: 0.0

See website for IES files

Ordering Information

EXAMPLE: HNL710 120 AMB PC AM

Geo & Oval

SERIES	VOLTAGE	LED COLOR	OPTIONS	FINISH
HNL710 - Geo	120 - 120v	LED30 - 3000k White (Warm white)	PC - Integrated Photocell Geo only	(blank) - Flat White
HNL720 - Oval	277 - 277v	AMB - Amber	OS - Integrated Occupancy Sensor Geo (120v only)	AM - Anti-Microbial White
				DPF1 - Venetian Blue Marble
				DPF2 - Foresta Green Marble
				DPF3 - Burl Walnut
				DPF4 - Knotty Pine
				CC - Custom Color ¹

NOTES
1 Custom finish requires factory pricing
2 Other LED colors- contact factory; 25 pc min order

NOTE: Specifications subject to change without notice. Actual performance may differ as a result of end-user environment and application.



LED NIGHT LIGHT

LED NIGHT LIGHT

The low-profile recessed design of the Pathfinder makes it a popular choice for night lighting when the intent is to blend the fixture into the wall. The louver design is engineered to maximize light output with clean cut-off, delivering sufficient light to navigate a darkened room but minimizing disruption of a sleeping patient. Dependable LED lighting will provide years of energy-efficient and maintenance-free operation.

Choose from standard warm white or optional amber LEDs. An integral photocell (option) may be specified for additional energy efficiency.

Specifications & Features

- High-efficiency LED light source is energy efficient and maintenance-free
- Low-profile design extends only 1/4" off the wall
- Engineered louvers maximize light output with clean cut-off
- Through-wall version includes polarized quick-disconnects and backbox that adjusts from 4-3/8" to 4-7/8" deep
- Available with warm white or amber LEDs

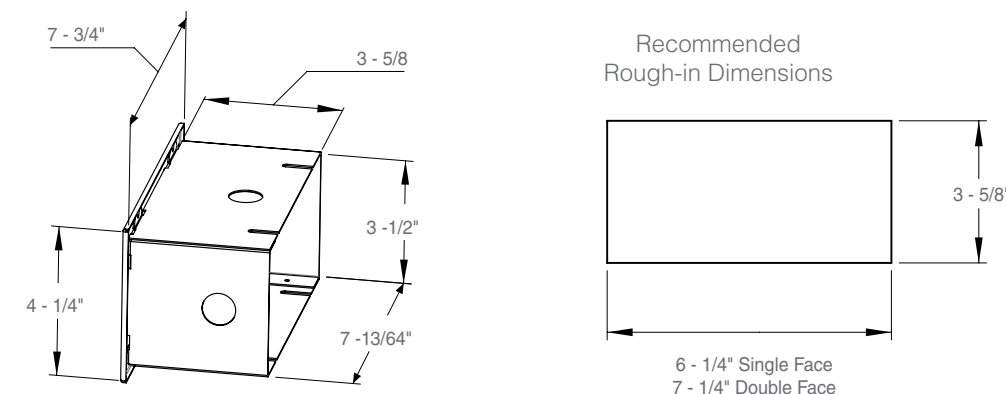
Switching

- Line voltage switching (by others)

Construction

- Heavy gauge steel faceplate
- Galvanized steel backbox with folded, welded corners and mounting tabs
- Integral, universal voltage driver

Dimensional Data



Photometry

Pathfinder Night Light, Mounted 18" above floor, centered on 12' wall

+0.1	+0.1	+0.2	+0.2	+0.3	+0.4	+0.7	+1.0	+1.3	+1.4	+1.4	+1.3	+1.0	+0.7	+0.4	+0.3	+0.2	+0.2	+0.1
+0.1	+0.1	+0.2	+0.3	+0.4	+0.6	+0.9	+1.2	+1.6	+1.8	+1.8	+1.6	+1.3	+0.9	+0.6	+0.4	+0.3	+0.2	+0.1
+0.1	+0.2	+0.2	+0.3	+0.5	+0.7	+1.1	+1.5	+2.0	+2.2	+2.1	+2.0	+1.5	+1.0	+0.7	+0.5	+0.3	+0.2	+0.2
+0.1	+0.2	+0.2	+0.3	+0.5	+0.8	+1.3	+1.7	+2.2	+2.4	+2.4	+2.2	+1.7	+1.3	+0.8	+0.5	+0.3	+0.2	+0.2
+0.1	+0.1	+0.2	+0.3	+0.4	+0.6	+0.9	+1.2	+1.5	+1.6	+1.7	+1.5	+1.3	+1.0	+0.6	+0.5	+0.3	+0.2	+0.2
+0.1	+0.1	+0.1	+0.2	+0.3	+0.4	+0.6	+0.7	+0.9	+1.0	+1.0	+0.9	+0.8	+0.7	+0.4	+0.3	+0.2	+0.1	+0.1
+0.1	+0.1	+0.1	+0.1	+0.2	+0.2	+0.3	+0.3	+0.3	+0.3	+0.3	+0.3	+0.3	+0.3	+0.2	+0.2	+0.1	+0.1	+0.1
+0.1	+0.1	+0.1	+0.1	+0.1	+0.1	+0.1	+0.2	+0.2	+0.2	+0.2	+0.2	+0.2	+0.2	+0.1	+0.1	+0.1	+0.1	+0.1

Avg: 0.2 • Max: 2.4 • Min: 0.0

See website for IES files

Ordering Information

EXAMPLE: HNL610 MVOLT LED30 TR AM

Pathfinder

SERIES Product	VOLTAGE	LED COLOR	OPTIONS	FINISH
HNL610 - 610 - Single face	MVOLT- 120v - 277v	LED30 - Warm White 3000k	TR - Tamper Resistant Screws	(blank) - Flat White
HNL612 - 612 - Double face through wall		LEDAMB - Amber	PC - Integrated Photo Cell	AM - Anti-Microbial White
		LEDBL - Blue 470nm	GLR - Fast-Blo Fuse	MB - Matte Black
		LEDRD - Red 625nm	GMF - Slow-Blo Fuse	SS - Stainless Steel
		LED55 - Cool White 5500k		CC - Custom Color

NOTES
1 Double faced housing adjustable for 3-4 inch wall depth
2 Custom color requires factory pricing

NOTE: Specifications subject to change without notice. Actual performance may differ as a result of end-user environment and application.

Please visit the Acuity Brands website for warranty terms:
http://www.acuitybrands.com/CustomerResources/Terms_and_conditions.aspx



BATHROOM

BATHROOM



Patient Bathroom / Hand-Wash Sink Fixtures

Vanity fixtures are typically mounted on the wall above the mirror in a patient bathroom to provide lighting for hand-washing and personal grooming. In addition to the typical 2-foot length, longer fixtures are offered for wider vanities or to create a consistent look by using a complementary fixture in the patient room. The vanity fixture may serve as the primary light in the bathroom but is typically supplemented by a separate fixture over the shower area.

With heightened attention to infection control, handwash sinks are often included in every patient room or the hallway directly outside a pod of rooms. Installation of a compact vanity fixture directly above the wash area enhances effectiveness.

Bathroom Fixture Comparison Chart	Stratus Vanity	Avonia Vanity	Archer Vanity
Performance			
Direct and indirect lighting	•		•
Convenience outlet (opt)	•		
Adjustable housing		•	
LED (opt)		•	•
Complementary 3ft and 4ft lengths avail.	•	•	•
Pull chain (opt)	•		•
Installation & Maintenance			
Entirely serviceable from within the room	•	•	•
Unitized ballast tray	•		
Separate wall mounting bracket			•
Construction			
Aluminum extruded housing, die cast end caps	•	•	•
High impact acrylic lenses	•	•	•
Polyester powdercoat, post fabrication	•	•	•



The Stratus Vanity light allows you to coordinate the fixture color and design with the bathroom decor. Choose from a variety of attractive opaque laminates for the front panel or customize with a translucent design for a backlit effect. You might even choose to specify a complementary color for the powdercoat finish of the fixture itself.

Like its full-size sister fixture, the Stratus Vanity is designed for maintenance ease. The ballast tray assembly can be quickly and easily removed - without tools - by simply sliding the lenses and divider panels out of their channels and releasing the quick-disconnect plug.

BATHROOM

BATHROOM

Specifications & Features

- Delivers multiple light levels: indirect, direct, both
- Door inserts are replaceable for future renovations; inserts available in various patterns, solid laminate or backlit (translucent); contact company for customized graphics
- Top and bottom lenses are fully supported in grooves to prevent sagging
- Multiple lamping options available
- Quick and easy maintenance: modular ballast assembly with quick-disconnect allows tool-free removal from installed fixture, hinged door stays open for easy relamping

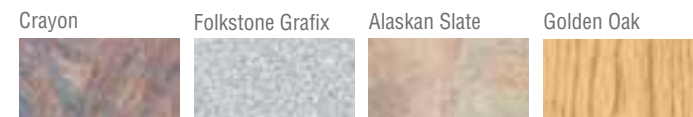
Switching

- Line voltage switching (by others)
- 2-position pull chain for on/off control or 4-position pull chain for sequential control of up and down lights (120v only)

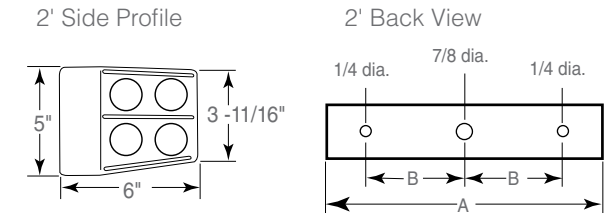
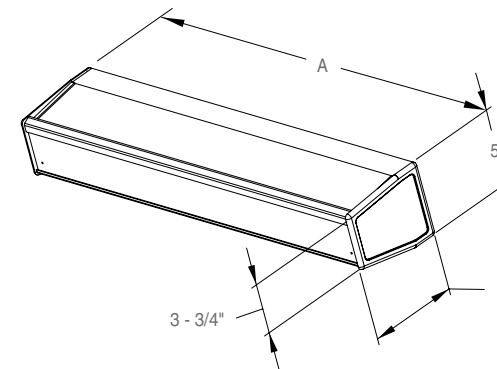
Construction

- Extruded aluminum body, ballast tray, and door
- Die-cast aluminum end caps
- Prismatic acrylic lenses, UV-treated to prevent yellowing with age
- Formica laminate or translucent (option) door inserts
- Polyester powdercoat finish; anti-microbial powdercoat finish is available

Choose from our standard inserts or any pattern offered by Formica® or Wilsonart® to match your room decor.



Dimensional Data



2' Fixture Dimensions

Lamps	A	B
T8	27-7/16"	11-15/32"
T5	27-15/16"	10-23/32"

Fixture Maintenance

Step 1:



Hinged door remains open for easy access to lamp compartment.

Step 2:



Lenses and divider panel remove from channels without tools.

Step 3:



A quick-disconnect allows complete removal of ballast assembly tray.

Ordering Information

EXAMPLE: HPW124 120 T8 1U1D CR

Stratus Vanity

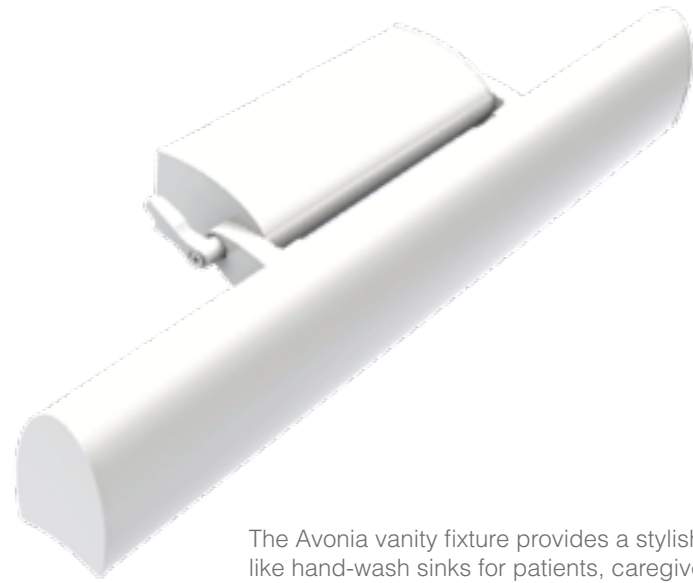
SERIES	Product	Size	VOLTAGE	LAMPING TYPE	LAMP CONFIG	OPTIONS	DOOR INSERTS	FINISH
HPW1		36 - inches 24 - inches	120 - 120v 277 - 277v MVOLT - 120 - 277v 347 - 347v (Canada)	T8 - 32W (4ft), 25W (3ft), 17W (2ft) T5 - 28W (4ft), 21W (3ft), 14W (2ft)	2U1D - 2 Up, 1 Down 2U2D - 2 up, 2 down 1U1D - 1 up, 1 down 1U2D - 1 up, 2 down	CO - Grounded Convenience Outlet (120v) ² GLR - Fast-Blo Fuse GMF - Slo-Blo Fuse	FWD - Flat White CR - Crayon AS - Alaskan Slate FG - Folk-Stone Granite GO - Golden Oak CCD - Custom Specified	(blank) - Flat White AM - Anti-Microbial White CC - Custom Color

NOTES

- 1 Voltage must be specified for fusing
- 2 Convenience outlet only with 120v

* Additional sizes available turn to page 44.

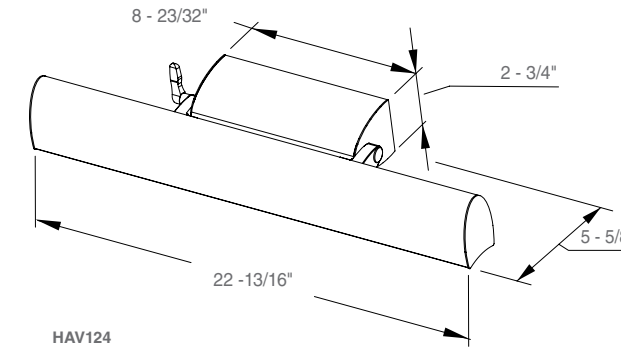
NOTE: Specifications subject to change without notice. Actual performance may differ as a result of end-user environment and application.



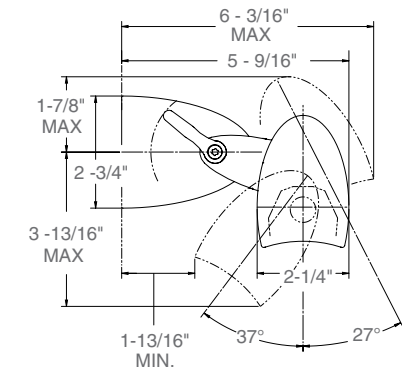
The Avonia vanity fixture provides a stylish way to light small but important spaces like hand-wash sinks for patients, caregivers and hospital staff. The curved extruded aluminum housing is both appealing and rugged.

Longer, 3 ft. and 4 ft., versions are available to address multi-station hand sinks or provide complementary fixtures for other applications in the room. Consider mounting the Avonia upside-down for indirect lighting or as a wall wash. Specify alternative fixed bracket, LED lamping, and remotely-mounted driver for use in MRI suites.

Dimensional Data



End Profile



Photometry

HAV124

(1) 14w T5 Lamp Mounted 3ft. above 6ft x 4ft Work plane

+5.1	+7.4	+11.0	+16.3	+21.0	+24.0	+24.0	+21.0	+16.3	+11.0	+7.4	+5.1
+5.2	+7.6	+11.3	+16.1	+21.0	+24.2	+24.2	+21.0	+16.1	+11.3	+7.6	+5.2
+4.9	+7.1	+10.3	+14.4	+18.5	+21.2	+21.2	+18.5	+14.4	+10.3	+7.1	+4.9
+4.4	+6.2	+8.6	+11.6	+14.6	+16.5	+16.5	+14.6	+11.6	+8.6	+6.2	+4.4
+3.8	+5.1	+6.8	+8.7	+10.6	+11.8	+11.8	+10.6	+8.7	+6.7	+5.0	+3.7
+3.1	+4.0	+5.1	+6.3	+7.4	+8.1	+8.1	+7.4	+6.3	+5.1	+4.0	+3.1
+2.6	+3.2	+3.8	+4.6	+5.2	+5.5	+5.5	+5.2	+4.5	+3.8	+3.1	+2.5
+2.1	+2.5	+2.9	+3.3	+3.7	+3.9	+3.9	+3.7	+3.3	+2.9	+2.5	+2.1

Avg: 9 • Max: 24 • Min: 2

HAV224

3500K LEDs Mounted 3ft. above 6ft x 4ft Work plane

+4.9	+7.4	+11.4	+17.9	+24.4	+28.8	+28.8	+24.4	+17.9	+11.4	+7.4	+4.9
+5.0	+7.6	+11.8	+17.8	+24.6	+29.2	+29.2	+24.6	+17.8	+11.8	+7.6	+5.0
+4.8	+7.1	+10.7	+15.6	+21.2	+25.0	+25.0	+21.2	+15.6	+10.6	+7.1	+4.8
+4.3	+6.1	+8.7	+12.2	+15.9	+18.4	+18.4	+15.9	+12.2	+8.7	+6.0	+4.2
+3.6	+4.9	+6.7	+8.8	+11.0	+12.4	+12.4	+11.0	+8.8	+6.7	+4.9	+3.6
+3.0	+3.9	+5.0	+6.2	+7.4	+8.1	+8.1	+7.4	+6.2	+5.0	+3.8	+2.4
+2.5	+3.0	+3.7	+4.4	+5.0	+5.4	+5.4	+5.0	+4.4	+3.7	+3.0	+2.4
+2.1	+2.4	+2.8	+3.2	+3.5	+3.7	+3.7	+3.5	+3.2	+2.8	+2.4	+2.0

Avg: 10 • Max: 29 • Min: 2

See website for IES files

Specifications & Features

- Sleek architectural housing blends easily into room design
- Adjustable mounting allows housing to be pivoted through more than 60° to direct light right where it's needed
- Clean cut-off is ideal for vanity and task lighting while minimizing trespass to the rest of the space
- Available with high-efficiency LED or T5 fluorescent light sources
- Extruded aluminum housing with die-cast aluminum endcaps for supreme durability

Switching

- Line voltage switching (by others)

Construction

- Extruded aluminum housing
- Die-cast aluminum end caps
- Polyester powdercoat finish; anti-microbial powdercoat finish is available

Ordering Information

EXAMPLE: HAV224 ADJ 120 LED35 DIM AM

Avonia

SERIES	BRACKET	VOLTAGE	LAMPING TYPE	OPTIONS	FINISH	
Product	Size					
HAV1 T5	24 Inches	FIX - Fixed bracket	120 - 120v	T5 - 28W (4ft), 21W (3ft), 14W (2ft)	OS - Occupancy Sensor	(blank) - Flat White
HAV2 LED	36 Inches 48 Inches	ADJ - Adjustable bracket	277 - 277v MVOLT - 120 - 277v	LED35 - 3500k LED30 - 3000k LED40 - 4000k	DIM - Dimming	AM - Anti-Microbial White CC - Custom Color
NOTES 1 Dimming not available with MVOLT 2 Custom color requires factory pricing 3 Contact Factory for availability of 347v						

NOTE: Specifications subject to change without notice. Actual performance may differ as a result of end-user environment and application.



BATHROOM

The Archer Vanity light is an attractive option for bathroom lighting, whether used on its own or as a complement to the full-size Archer bed light in the patient room.

The luminaire attaches to a separate back plate, making installation quick and easy. The back plate can be located and leveled before securing the fixture via three fasteners.

Specifications & Features

- Delivers multiple light levels: indirect, direct, both
- Top and bottom lenses are fully supported in grooves to prevent sagging
- Separate mounting plate makes installation easy; mount rigid but lightweight plate to wall and then install fixture
- Multiple lamping options available
- Tool-free access to ballast compartment while fixture remains on wall
- Single-piece extruded aluminum body for extreme durability
- Entirely serviceable without removal from wall

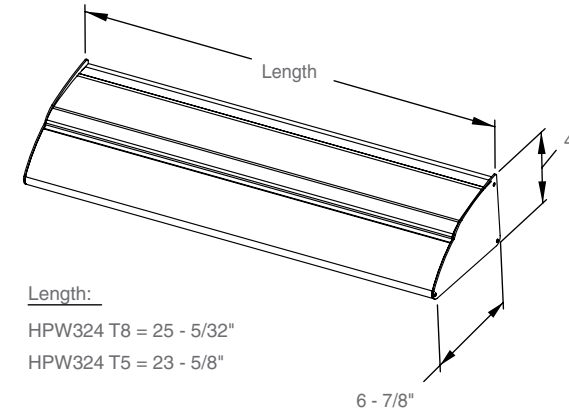
Switching

- Line voltage switching (by others)
- 2-position pull chain for on/off control or 4-position pull chain for sequential control of up and down lights (120v only)

Construction

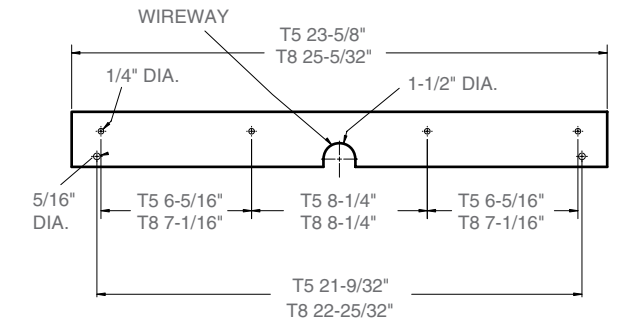
- Extruded aluminum housing
- High impact acrylic lenses, UV-treated to prevent yellowing with age
- Polyester powdercoat finish; anti-microbial powdercoat finish is available

Dimensional Data

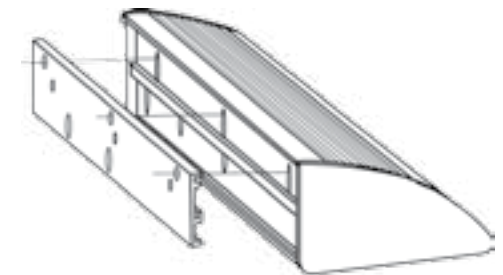
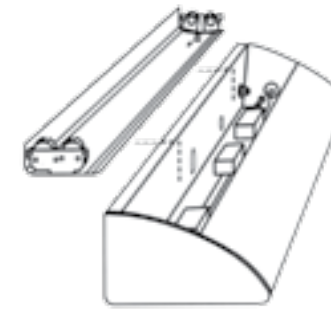


Length:
HPW324 T8 = 25 - 5/32"
HPW324 T5 = 23 - 5/8"

Back View 2' Back Profile



Installation & Maintenance



The Archer is designed for ease of maintenance. No tools are required to relamp or service the fixture. The ballast cover is easily removed to allow access to the ballast and wiring.

Installation is made easy by Archer's wall-mounted back plate. The fixture is mounted to the back plate as one unit.

Ordering Information

EXAMPLE: HPW324 MVOLT T5 2U2D AM

Archer Vanity

SERIES	Product	Size	VOLTAGE	LAMPING TYPE	LAMPING CONFIG	OPTIONS	FINISH
HPW3		18 - inches	120 - 120v	T8 - 17W (24 in), 15W (18 in)	2U1D - 2 Up, 1 Down	GLR - Fast-Blo Fuse	(blank) - Flat White
		24 - inches	277 - 277v	T5 - 14W (24 in)	2U2D - 2 up, 2 down	GMF - Slo-Blo Fuse	AM - Anti-Microbial White
			MVOLT - 120 - 277v	T5HO - 24W (24 in)	1U1D - 1 up, 1 down		CC - Custom Color ²
					1U2D - 1 up, 2 down		
					OU1DMT - 1 Down only with top plate		
					OU2DMT - 2 Down only with top plate		

NOTES
1 18 inch version only available with T8 lamping
2 Custom color requires factory pricing
3 Mounting bracket included, packaged separately

* Additional sizes available turn to page 42.

NOTE: Specifications subject to change without notice. Actual performance may differ as a result of end-user environment and application.



Lés Mini
Page 64

Sierra
Page 66

Patient Room Sconces

A well-designed lay-out incorporates several layers of light, from low-level general illumination to high intensity task lighting. Accomplishing this within clinical spaces poses a greater challenge because certain requirements are directly tied to the work that is performed in those spaces. For instance, a patient room must be lit for multiple users – patient, doctors, nurses, and service staff – and for activities during all times of the day and night. Incorporating specialty fixtures such as sconces into the clinical area can aesthetically enhance the room while delivering a low level of ambient lighting that may be more soothing than conventional patient room luminaires. Sconces may also be used as room markers in hallways or vanity lights in a patient bathroom.

Sconce Fixture Comparison Chart	Lés Mini	Sierra
<p>Performance</p> <ul style="list-style-type: none"> Direct lighting Indirect lighting LED ADA compliant Photocell, integral (opt) 	<ul style="list-style-type: none"> • • • • 	<ul style="list-style-type: none"> • •
<p>Installation & Maintenance</p> <ul style="list-style-type: none"> Entirely serviceable from within the room Single gang box mounting (by others) 	<ul style="list-style-type: none"> • • 	<ul style="list-style-type: none"> •
<p>Construction</p> <ul style="list-style-type: none"> Aluminum housing Extrusion with die cast end caps Die cast High impact lens acrylic polycarbonate Polyester powdercoat, post fabrication 	<ul style="list-style-type: none"> • • • • 	<ul style="list-style-type: none"> • • •



The stylish Lés Mini sconce provides low-level ambient lighting in a compact decorative package. The clean cut-off design of this fixture distributes an attractive conical pattern of light on the wall, whether mounted for uplight or downlight. An integral photocell (optional) automatically powers the fixture when the ambient light level drops below a preset level. Couple with an external controller to use as a hallway nurse call alert in long-term care facilities. Custom colors and decorative pattern finishes are available to complement any décor. Easily mounts to a standard single-gang box (by others).

SCONCES

SCONCES

Specifications & Features

- Contemporary, sleek design complements both modern and traditional interior designs
- Mount for direct or indirect lighting, with clean cut-off and elegant wall wash
- Die-cast aluminum faceplate offers supreme durability
- High efficiency LED light source, available in warm white, cool white, or custom color (consult factory)
- Decorative faux finishes (option) available to coordinate with — or blend into — any décor

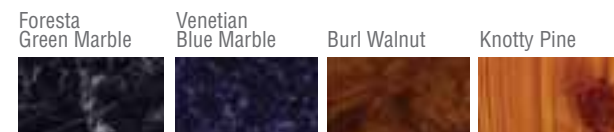
Switching

- Line voltage switching (by others)

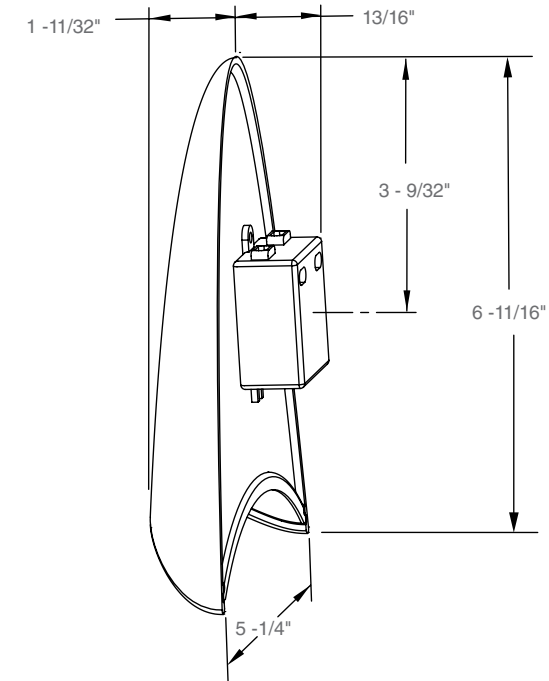
Construction

- Die-cast aluminum faceplate
- High-impact, frosted polycarbonate lens
- Polyester powdercoat finish; anti-microbial powdercoat finish is available
- Mounts to a standard single-gang box (by others)
- Replaceable LED/Driver assembly

Decorative faux finishes (option) available to coordinate with — or blend into — any décor



Dimensional Data



Photometry

Uplight Distribution on Wall

+0.5	+0.6	+0.8	+0.8	+0.8	+0.7	+0.6	+0.5	+0.4
+0.6	+1.0	+1.4	+2.0	+1.8	+1.4	+0.7	+0.5	+0.3
+0.5	+4.5	+5.3	+9.4	+5.8	+5.3	+1.0	+0.5	+0.3
+0.5	+4.5	+12.2	+19.8	+19.8	+12.2	+4.5	+0.5	+0.3
+0.3	+4.0	+11.4	+18.5	+18.8	+11.4	+4.3	+0.4	+0.2
+0.2	+0.3	+7.4				+7.4	+0.3	+0.2

Avg: 0.8 • Max: 20 • Min: 0.1

See website for IES files

Ordering Information

EXAMPLE: HSN600 120 LED30 DPF2

Lés Mini

SERIES Product	VOLTAGE	LED COLOR	FINISH
HSN600	120 - 120v	LED30 - 3000k (Warm White) LED 40 - 4000k (Cool White)	(blank) - Flat White AM - Anti-Microbial White DPF1 - Venetian Blue Marble DPF2 - Foresta Green Marble DPF3 - Burl Walnut DPF4 - Knotty Pine CC - Custom Color

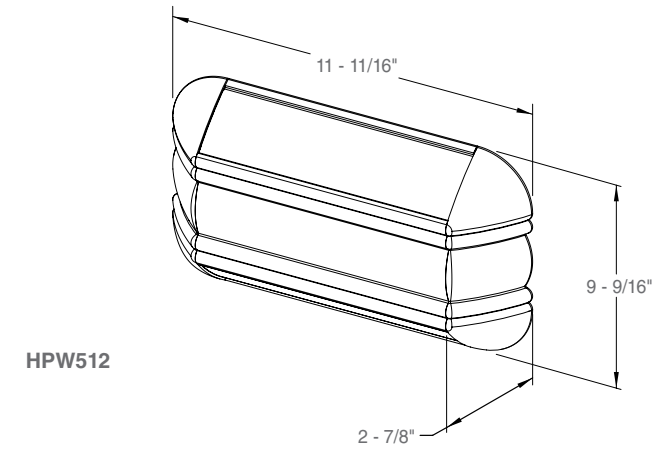
NOTES

- 1 Custom color requires factory pricing
- 2 Other LED colors- contact factory; 25 pc min order

NOTE: Specifications subject to change without notice. Actual performance may differ as a result of end-user environment and application.



Dimensional Data



SCONCES

The low-profile Sierra sconce is an attractive way to provide supplemental lighting while complying with ADA protrusion limits. Use the Sierra Sconce as a complement to the Sierra bed light to achieve a consistent look in a lighting lay-out.

Specifications & Features

- Delivers both direct and indirect lighting
- Low profile complies with the Americans with Disabilities Act (ADA)
- Uniquely contoured architectural design
- Sloping lenses shield lamp silhouette eliminating glare and reducing dust build-up
- High efficiency asymmetric specular reflectors provide forward light distribution
- Single-piece extruded aluminum body with die-cast aluminum end caps for extreme durability

Switching

- Line voltage switching (by others)

Construction

- Extruded aluminum body
- Die-cast aluminum end caps
- 94% specular aluminum reflectors with proprietary asymmetric design
- High impact acrylic lenses, UV-treated to prevent yellowing with age
- Polyester powdercoat finish; anti-microbial powdercoat finish is available

SCONCES

Installation & Maintenance



Durable, heavy gauge extruded aluminum face with matching die-cast end caps allow many years of reliable service in some of the most demanding hospital applications.



The decorative face is attached at four points over threaded studs. Internal wiring and fixture mounting features are accessible with removal of the face.

Ordering Information

EXAMPLE: HPW516 277 T5 1U1D

Sierra Sconce

SERIES	SIZE	VOLTAGE	LAMP TYPE	LAMP CONFIG	FINISH
HPW5	16 - Inches	120 - 120v	T5 - 8W T5 (16 inch)	1U1D - 1 up, 1 down	(blank) - Flat White
	12 - Inches	277 - 277v	PL - 9W PL (12 inch)	2U2D - 2 up, 2 down; T5 only	AM - Anti-Microbial White
		MVOLT - 120 to 277v		2U1D - 2 Up, 1 Down T5 Only	CC - Custom Color

NOTES
1 MVOLT not available with Dimming or Fusing
2 Customer color requires factory pricing

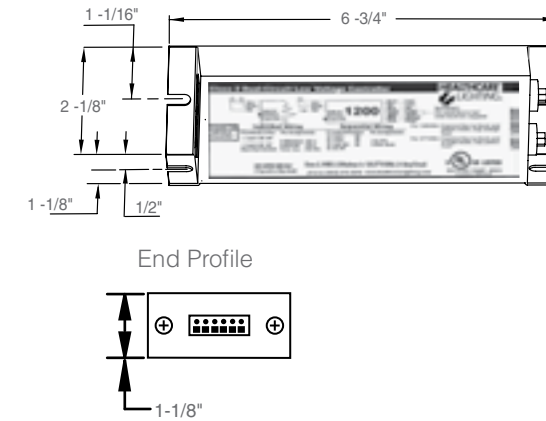
NOTE: Specifications subject to change without notice. Actual performance may differ as a result of end-user environment and application.



ACCESSORIES

ACCESSORIES

Dimensional Data



Specifications and Features

- Class 2 UL® listed
- Optically isolated solid state design
- 2 circuits for individual or sequential control via momentary contact switch (by others)
 - 4 amps maximum per load,
 - 8 amps total device load
- AC: 120 or 277 volt / 60 Hz
- DC: 9 volt @ 200 amps
- All load circuits reset to off after power interruption
- Compatible with any nurse call handset that utilizes normally open momentary contact switches

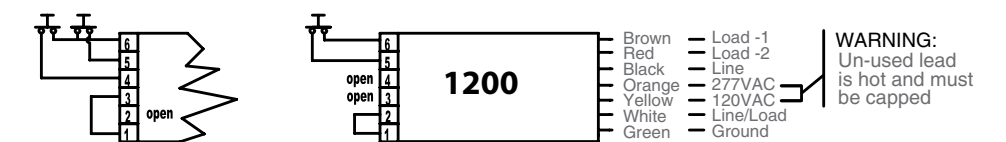
Construction

- Heavy gauge extruded aluminum body
- Aluminum end cap mounting brackets enable side or base mounting
- Enclosure with cover and internal voltage barrier for remote installation (option)
- * Pressure release connector on Class 2 side
- Use 18 Ga or 20 Ga stranded copper wire only with insulation stripped to 3/8"
- * 18 Ga THHN wire leads on load side

Switching

- Normally open momentary contact switch (by others)

Wiring Data



Individual Wiring		Sequential Wiring	
2-Loads/(2) 2-Pos	Pin Assignments	2 Loads/4-Position	Pin Assignments
⇒ Load-1: ON/OFF	Jumper: 1&3 Open: 2	(1) Load-1: ON (2) Load-2: ON (3) Load-1&2 ON (4) ALL OFF	Jumper: 1 to 2 Open: 3 & 4 To MCS: 5 & 6
⇒ Load-2: ON/OFF (Separately Controlled)	#1 MCS: 5(Ckt-1) #2 MCS: 4(Ckt-2) Comm: 6(Ckt-1&2)		

120VAC
Operation: Connect Line to Black and Yellow leads. Cap Orange lead.
277VAC
Operation: Connect Line to Black and Orange leads. Cap Yellow lead.

Ordering Information

EXAMPLE: LVC 1200

SERIES		OPTIONS
Product	Size	
LVC	1200 - Class 2 2-Circuit	JBC - Remote Installation Enclosure

NOTES
1 Codes require line voltage and low voltage to enter and exit enclosure from separate locations, and to be isolated from one another

NOTE: Specifications subject to change without notice. Actual performance may differ as a result of end-user environment and application.

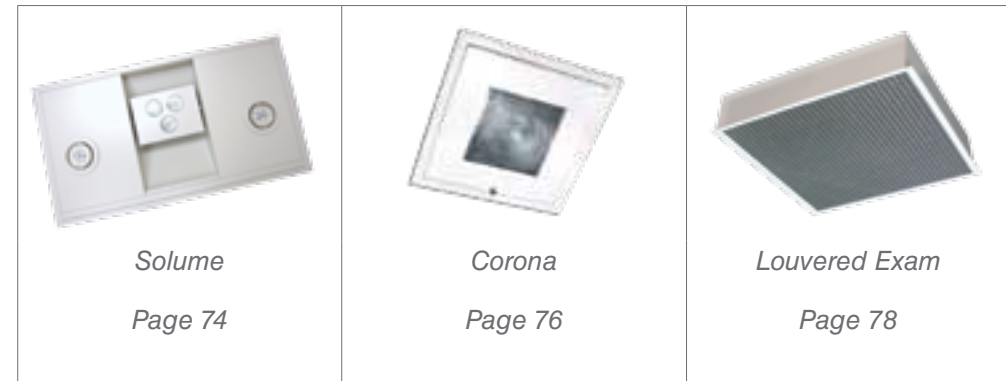
Please visit the Acuity Brands website for warranty terms: http://www.acuitybrands.com/CustomerResources/Terms_and_conditions.aspx



EXAM - Minor Procedure



Exam • Minor Procedure Fixture Comparison Details



Exam • Minor Procedure Fixture Comparison Chart	Solume	Corona	Louvered Exam
Performance			
Motorized positioning with wall control panel	•		
Halogen lamping, 100CRI	•	•	
Louvered downlight			•
Chart light (opt)	•		
Sanitary lens (opt)		n/a	•
Installation & Maintenance			
Entirely serviceable from within the room	•	•	•
Wall control panel, included	•		
Construction			
18 Ga steel housing	•	•	•
Tempered glass lens		•	
Concealed hinge door with acrylic sanitary lens (opt)		n/a	•
Polyester powdercoat, post fabrication	•	•	•

Exam • Minor Procedure

High intensity examination lighting is necessary for executing medical procedures, delivering specialty treatment, and effectively performing examinations. This work creates rigorous demands on the human eye and requires excellent visual acuity. A dedicated examination fixture focuses high-intensity light within a defined area, improving clarity and reducing eye fatigue. In addition to intensity, other important considerations for these specialty luminaires are color temperature and color rendering index of the light.

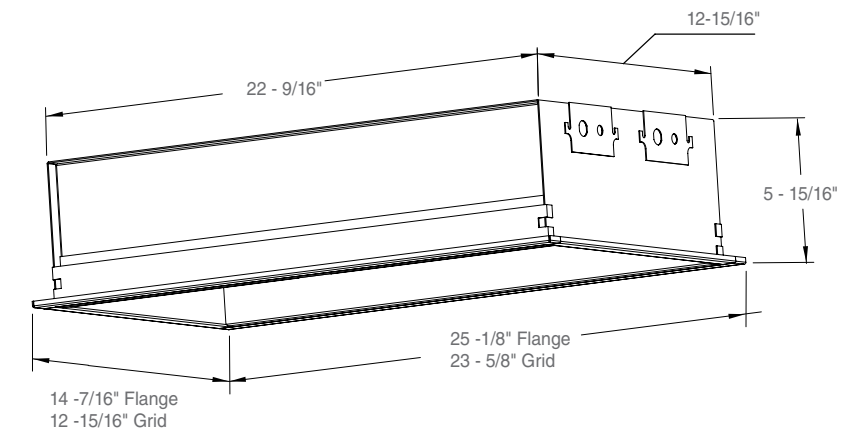


As hospitals strive to provide more clinical care within the patient room, lighting becomes a critical element in the design. Light intensity, distribution, and color rendering must all be considered when choosing a fixture for examination and minor procedure lighting.

The Solume is a dedicated exam light that directs illumination right where it's needed. The head is available in two motorized sweep options - (0 to 60°) or (-30° to 30°) - for mounting at the headwall or centered over the bed. Positioning is controlled from the wallplate (standard) or at the bedside using the remote plug-in switch (optional). Halogen lamping provides high color rendering. When paired with a patient bed light such as the Archer, the package provides optimum lighting for both patient and caregiver.

Isometric Profile (Grid and Flange)

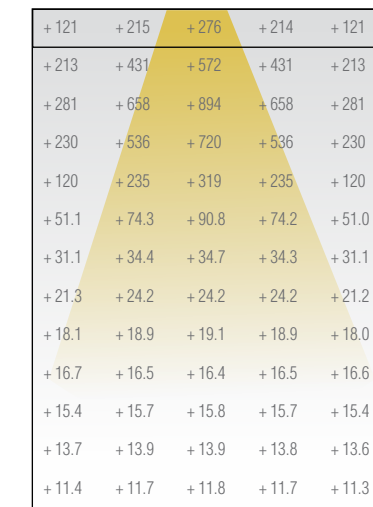
See website for flange-mount cut-out dimensions.



Photometry

Solume Exam

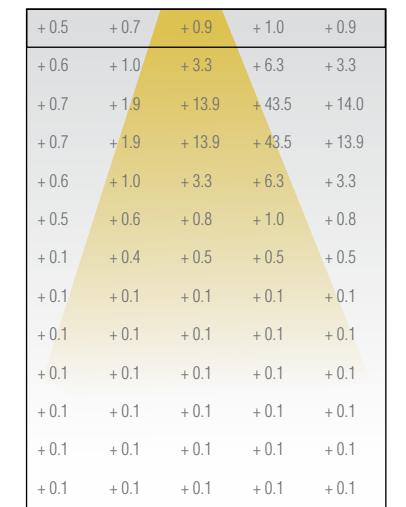
Exam Head Oriented Straight Down, (3) 75w MR16 Lamps
Mounted 6 ft. above Work plane and 1 ft. Off Headwall



Avg: 152 • Max: 894 • Min: 11

Solume Chart Light (opt)

(1) 3w LED Chart Light Mounted 6 ft. above Work plane and 2ft off Headwall



Avg: 3 • Max: 44 • Min: .01
See website for IES files

Specifications & Features

- Motorized exam head (optional) sweeps 60° with wall control, included
- Greater than 250fc light delivered across entire bed surface when head is positioned throughout range of motion
- 100 CRI
- LED chart/observation light (optional)
- Entirely serviceable from within the room

Switching

- With Motorized Exam Head
 - Class 2 wall switch for beam positioning, included
- With Fixed Exam Head Option
 - Line voltage switching (by others)

Construction

- 18 Ga welded steel housing and exam head
- Tempered glass lens shields lamps
- Polyester powdercoat finish; anti-microbial powdercoat finish is available

Ordering Information

EXAMPLE: HMX5 MA F 120 LCL

Solume and Solume XT

SERIES Product	EXAM HEAD	MOUNTING	VOLTAGE	OPTIONS	FINISH
HMX5 - Solume 0 to 60 degrees rotation	MA - Motorized	G - Grid	120 - 120v	LCR - LED Chart Light on Right	(blank) Gloss White
HMX6 - Solume XT -30 to +45 degrees rotation	FA - Non-Motorized	F - Flange	277 - 277v	LCL - LED Chart Light on Left LCLR - LED Chart Light on Left and Right CR11 - MR11 Chart Light on Right CL11 - MR11 Chart Light on Left EC - Remote Pendant Exam Control (MA Only) GLR - Fast-Blow Fuse GMF - Slow-Blow Fuse	AM - Anti-Microbial White

NOTES

1 Motorized exam head includes Class 2 Wall Control

NOTE: Specifications subject to change without notice. Actual performance may differ as a result of end-user environment and application.



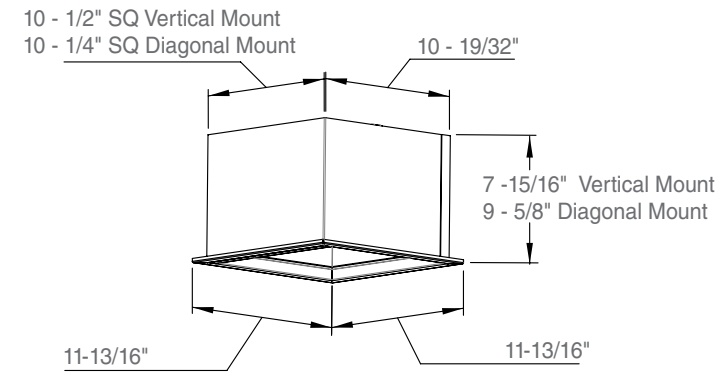
Fixtures that deliver high-intensity lighting are being added to patient room lighting designs as hospitals strive to provide more care in the space, rather than transporting the patient to other areas of the hospital.

The Corona is a fixed-position exam light that utilizes a Fresnel lens and polished reflectors to provide a localized area of illumination that exceeds the IES recommended level for examination (100fc).

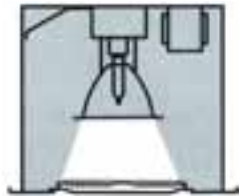
Pair with the Chrysalite bed light on the headwall for a system approach that provides ideal patient lighting and effective caregiver examination lighting. The fixtures can be wired so that flipping open the exam head on the Chrysalite also illuminates the Corona exam light, resulting in 100fc of light across the entire bed surface.

Isometric Profile (Grid and Flange)

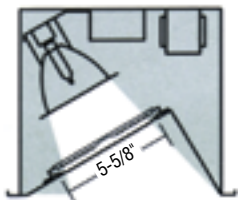
See website for flange-mount cut-out dimensions.



Vertical Mount



Diagonal Mount

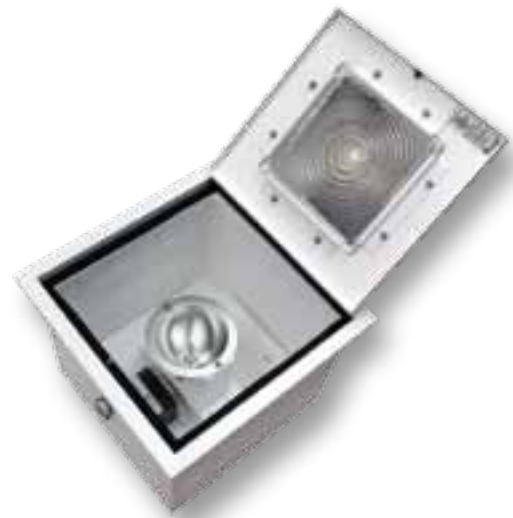


Specifications & Features

- Dedicated exam light exceeds IES recommended illumination for localized patient examination
- 250w T4 lamp provides 100 CRI lighting
- Available with vertical or diagonal throw
- Automatic shut-off timer
- Entirely serviceable from within the room

Switching

- Line voltage switching (by others)



Construction

- 18 Ga steel housing
- Tempered glass Fresnel control lens
- Polyester powdercoat finish; anti-microbial powdercoat finish is available

Photometry

HEX810

(1) 250w T4 Lamp

Mounted 6 ft. above Work plane, 3 ft. from Headwall

+34.0	+36.6	+37.5	+36.6	+34.0
+42.4	+45.8	+47.0	+45.8	+42.4
+51.2	+55.4	+56.8	+55.4	+51.2
+59.2	+64.7	+67.1	+64.7	+59.2
+66.8	+78.7	+86.2	+78.6	+66.7
+72.9	+98.4	+120	+98.4	+72.9
+72.7	+98.2	+120	+98.2	+72.7
+66.3	+78.1	+85.7	+78.1	+66.3
+58.4	+63.8	+66.2	+63.8	+58.4
+49.9	+54.0	+55.3	+54.0	+49.9
+40.5	+43.8	+45.0	+43.8	+40.5
+31.3	+33.8	+34.7	+33.8	+31.3
+23.4	+25.1	+25.7	+25.1	+23.4

Avg: 58 • Max: 120 • Min: 23



See website for IES files

Ordering Information

EXAMPLE: HEX810 F 120 AST AM

Corona

SERIES	MOUNTING	VOLTAGE	OPTIONS ²	FINISH
HEX810 - CORONA Vertical	G - Grid	120 - 120v	AST - Auto shut-off timer included	(blank) - Gloss White
HEX820 - CORONA Diagonal	F - Flange	277 - 277v	GLR - Fast-Blo Fuse GMF - Slow-Blo Fuse	AM - Anti-Microbial White

NOTES

- 1 Comes standard with thermostatic thermal protection
- 2 Standard with auto-shut-off timer
- 3 Contact factory for 347v availability

NOTE: Specifications subject to change without notice. Actual performance may differ as a result of end-user environment and application.

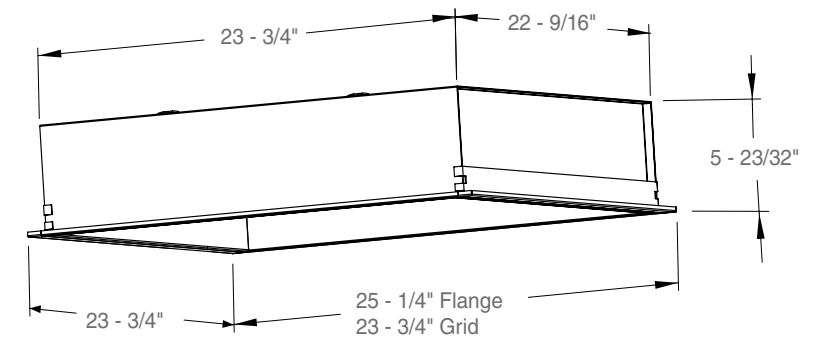


The Louvered Exam directs exam lighting onto the bed surface through a parabolic louver that both reduces glare and obscures lamp silhouette. An acrylic overlay is inserted above the louvered panel to shield lamps from dust. If a sealed fixture is desired, a hinged door assembly with sanitary lens (option) is available.

This fixture is effective when installed in clinical areas that are dedicated to performing examinations and minor procedures. Installing it as part of the patient room lighting design allows caregivers to provide examinations on the spot, supporting facility initiatives to minimize patient moves. When used in this way, a separate patient bed light, such as the Archer, should be included in the lay-out.

Isometric Profile (Grid and Flange)

See website for flange-mount cut-out dimensions.



Photometry

Louvered Exam
(7) 40w Biax Lamps. Mounted 6 ft. above
Work plane and 1 ft. Off Headwall

+83.7	+85.8	+86.1	+85.6	+83.5
+90.8	+93.4	+93.7	+93.2	+90.6
+97.0	+99.8	+100	+99.7	+96.8
+102	+105	+105	+105	+102
+105	+108	+108	+108	+105
+106	+110	+110	+109	+106
+105	+109	+109	+108	+105
+103	+106	+106	+105	+102
+97.9	+101	+101	+101	+97.4
+91.7	+94.2	+94.3	+94.0	+91.3
+84.4	+86.7	+86.9	+86.4	+83.9
+76.5	+78.4	+78.7	+78.2	+76.1
+68.7	+70.2	+70.5	+70.0	+68.3

Avg: 95 • Max : 110 • Min: 68
See website for IES files



Louver keeps the light from trespassing into neighboring areas. Recommended installation for areas of dual occupancy or when additional exam lighting is required

Specifications & Features

- Louvered lamp shield limits light trespass and glare
- Sanitary lens (option) with concealed hinge design improves cleanliness
- Multiple lamping options available
- Entirely serviceable from within the room

Switching

- Line voltage switching (by others)

Construction

- 20 Ga steel housing
- 24 Ga steel reflectors
- Polystyrene parabolic louver, specular silver grid (3/4" x 3/4" x 1/2") with acrylic overlay
- 18 Ga steel door with concealed hinge and clear acrylic sanitary lens (optional)
- Polyester powdercoat finish; anti-microbial powdercoat finish is available

Ordering Information

EXAMPLE: HEX1 F 120 3XCF55 SL AM

Louvered Exam

SERIES	MOUNTING	VOLTAGE	EXAM LAMPING	OPTIONS	FINISH
Product					
HEX1	G - Grid F - Flange	120 - 120v 277 - 277v MVOLT - 120 - 277v	3XCF40 - 3x40W Biax 3XCF55 - 3x55W Biax 4XCF40 - 4x40W Biax 4XCF55 - 4x55W Biax	SL - Sanitary Lens GLR - Fast-Blo Fuse GMF - Slow-Blo Fuse	(blank) Gloss White AM - Anti-Microbial White

NOTES
1 Contact Factory for 347v availability

NOTE: Specifications subject to change without notice. Actual performance may differ as a result of end-user environment and application.

Please visit the Acuity Brands website for warranty terms:
http://www.acuitybrands.com/CustomerResources/Terms_and_conditions.aspx



EXAM • Specialty Procedure



The new LDR system offers an unobtrusive recessed design that blends into the ceiling until needed. When illuminated, the twin LED fixtures deliver 4500 foot candles uniformly across a 8" diameter spot⁽¹⁾ without feathering of the edge. For labor and delivery the fixture may be dimmed for illumination during normal deliveries. However, the pair can be easily brought to full intensity if obstetric surgical procedures or emergency attention to the infant are needed.

Along with the benefit of extended life, LEDs do not emit heat into the room, eliminating a problem associated with commonly used halogen lamps. Each of the fixtures is independently adjustable in two planes from a single wallplate control for vertical and horizontal beam positioning.

⁽¹⁾ At a linear distance of 6ft.

Specifications & Features

- Max light intensity (fc) at distance (ft.)

4600	6ft. (Pair of fixtures)
3000	8ft. (Pair of fixtures)
- Typical lumen maintenance of greater than 70% after 60,000 hours
- CRI=92
- Dimmable from 10% - 100%
- Service indicator lamps
- No heat output into patient space
- 2-Speed motor control - Jog and Fast - for precise positioning of beam
- Modularized controls for easy maintenance



Construction

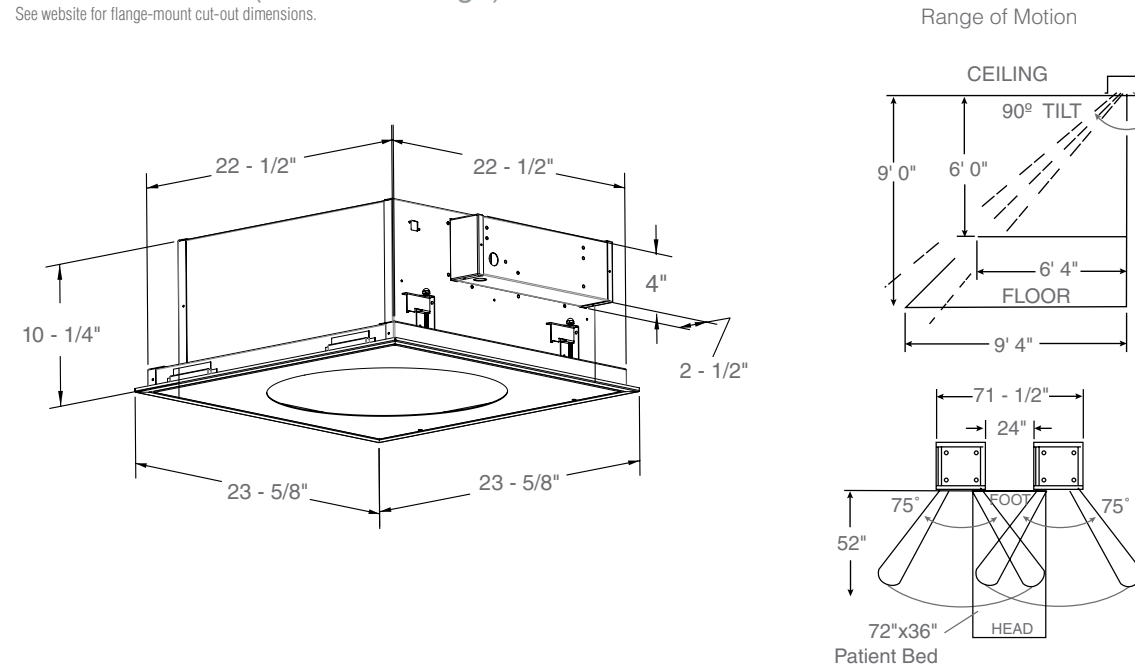
- 16 Ga aluminum housing
- S.A.R acrylic lens (Super Abrasion Resistant)
- Concealed hinge design
- Universal grid and flange installation

Switching

- TACTILE - touch membrane control panel

Isometric Profile (Grid and Flange)

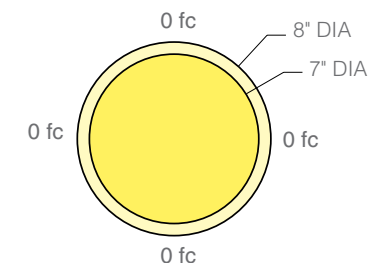
See website for flange-mount cut-out dimensions.



Photometry

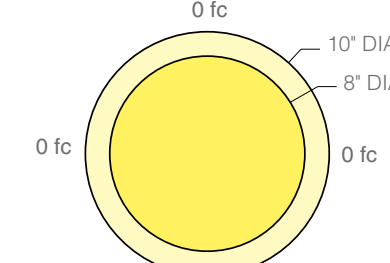
Measured at 6ft. Linear Distance

- | Single Fixture | Pair of Fixtures |
|----------------|------------------|
| ● 2300 fc | ● 4600 fc |
| ● 2250 fc | ● 4500 fc |



Measured at 8ft. Linear Distance

- | Single Fixture | Pair of Fixtures |
|----------------|------------------|
| ● 1500 fc | ● 3000 fc |
| ● 1400 fc | ● 2800 fc |



See website for IES files

Ordering Information

EXAMPLE: HMX2 120 AM

LDR

SERIES Product	VOLTAGE	OPTIONS	FINISH
HMX2 - LDR Pair	120 - 120v 277 - 277v 347 - 347v	SFO - Single Fixture option	(blank) - Textured White door;Matte black interior AM - Anti-Microbial White Door

NOTES
1 Touch membrane control panel included (standard)
2 Universal housing is suitable for either grid or flange installation (standard).

NOTE: Specifications subject to change without notice. Actual performance may differ as a result of end-user environment and application.

EXAM
SPECIALTY

EXAM
SPECIALTY



OR • Surgical Suite



OR - Surgical Suite Fixture Comparison Chart	SURG5	HST
Performance		
IES recommended light level on surgical field		
with 5 lamps	•	
with 6 lamps		•
RFI suppressors (one per circuit)	•	•
Grounded grid lens for EMI shielding	•	•
Emergency ballast(s) (opt)	•	•
Green phosphor lamps, T8 (opt)	•	•
Installation & Maintenance		
Entirely serviceable from within the room	•	•
Ballast access without lamp removal	•	
Swing-out arms for both grid and flange ceiling	•	
"No Gap" plenum bracket for row mounting (flange)	•	•
Construction		
18Ga steel housing	•	•
Concealed hinge door with grounded grid lens	•	•
IP65 rated (opt)	•	
Polyester powdercoat, post fabrication	•	•

OR • Surgical Suite

Designed to provide supplemental lighting in surgical suites, surgical troffer luminaires are usually mounted in arrays surrounding the perimeter of the operating table. The typical symmetric/asymmetric light distribution serves multiple purposes. Light is delivered asymmetrically to portions of the surgical field that are not targeted by the procedure light but still require examination quality illumination. The symmetric light output serves to reduce the contrast in brightness between the areas inside and outside of the surgical field, reducing the eyes' adjustment time. The symmetric lighting component also provides task lighting for surgical nurses and other members of the surgical team.



17% Energy Savings*

Recognized by the Illuminating Engineering Society for its innovative design, the Surg5 is the energy-efficient alternative to standard 6-lamp surgical troffers. The custom-designed optics allow 5 lamps in this fixture to deliver lighting performance that is equivalent to typical 2x4 recessed troffers employing 6 lamps. That's a 17% energy savings per fixture. But the benefits of this fixture don't end with energy savings. Maintenance of typical 6-lamp troffers requires removal of all lamps and reflectors to access ballasts. This increases the likelihood of lamp breakage in the surgical suite. The Surg5 design allows for the ballast to be replaced without removing the lamps and reflectors. Of course, there is also one fewer lamp to carry up the ladder when it is time for re-lamping. All of these innovations translate to savings in maintenance time.

*Compared to standard 6-lamp surgical troffer

Specifications & Features

- 5 lamps deliver light equivalent to typical 6-lamp surgical troffers (17% energy savings!)
- Ballast access without removing lamps and reflector system
- Entirely serviceable from within room
- Swing-out mounting arms and easy hang divots simplify installation
- Meets electronic shielding requirements of MIL-STD 461F
- IP65 rated to IEC 60598 (optional)
- Concealed hinge design improves cleanliness

Installation



The unique concealed hinge design allows the door to be removed entirely. Simply release the safety cables and then swing the door past 90 degrees to disengage hinge.



The 5-lamp design of the SURG5 relieves space within the housing so that ballast compartments are accessible without removing lamps and reflectors. Ballast tray covers are located on each side of the housing and remove without tools.



All installation preparations can be made prior to insertion into a T-grid ceiling. The EZ-Hang mounting system allows quick and easy connection to ceiling supports. Swing-out mounting arms on both grid and flange style fixtures further simplify installation. No fixture disassembly is required.



Construction

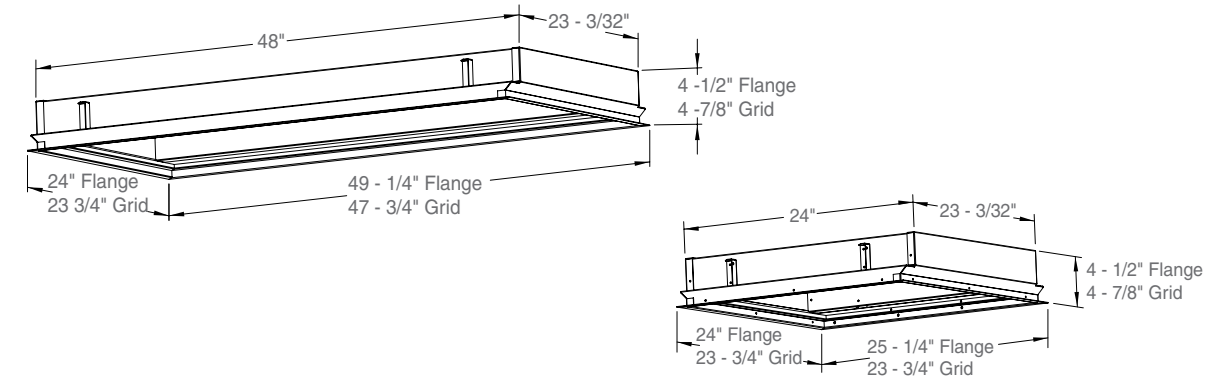
- 18 Ga cold rolled steel housing
- Tool-free ballast tray covers
- 16 Ga cold rolled steel door with clean concealed hinge
- Smooth surface silver grid custom, clear prismatic lens
- Custom reflector system
- Swing-out mounting arms standard for both grid and flange mount fixtures
- Polyester powdercoat finish; anti-microbial powdercoat finish is available (optional)

Switching

- Line voltage switching (by others)
- Multiple circuit configurations
- Dimmable

Isometric Profile (Grid and Flange)

See website for flange-mount cut-out dimensions.



Photometry

Surg5 with (5) 32w T8 Lamps per Fixture
(10) 2ft x 4ft Fixtures Mounted 5-1/2ft above Work plane

+57.1	+84.3	+115	+131	+136	+136	+130	+115	+85.4	+57.8
+77.1	+140	+211	+258	+275	+273	+256	+210	+141	+77.6
+101	+210	+317	+368	+376	+376	+368	+317	+213	+101
+115	+250	+361	+388	+379	+378	+388	+361	+251	+115
+120	+261	+369	+374	+351	+351	+375	+369	+262	+121
+121	+262	+369	+375	+351	+351	+374	+369	+261	+120
+116	+251	+362	+388	+378	+379	+388	+361	+250	+115
+101	+213	+317	+368	+376	+376	+368	+317	+210	+101
+77.8	+142	+210	+256	+274	+275	+259	+211	+140	+77.0
+57.9	+85.4	+115	+131	+136	+136	+131	+115	+84.3	+57.0

Avg: 233 • Max: 388 • Min: 57

See website for IES files

*Install with hinge side of fixture closest to table.

Ordering Information

EXAMPLE: HST524 F 120 T8 2C RM

SURG5

SERIES	PRODUCT	SIZE	MOUNTING	VOLTAGE	LAMPING ⁵	CIRCUITS*	BALLAST OPTIONS	OPTIONS	EMERGENCY	FINISH
HST5		24 - 2x4 ft	G - Grid	120 - 120v	T8 - 32W (4 ft) 17W (2 ft)	1C - 1 circuit	ADPK - Powerkut Rapid Start Hybrid for T8	IP65 - Sealed IP65 Rated PF - Plaster Frame Kit	B70A - One lamp Bodine	(blank) Gloss White
		22 - 2x2 ft	F - Flange	277 - 277v	T5 - 28W (4ft) 14W (2ft)	2C - 2 circuits	DMHL3D - Lutron Hi-Lume	RM - Row Mount Adapter (Specify pattern); shipped in the box with each fixture	I48 - Iota 1-2 lamp 350-700 lumens	AM - Anti-Microbial White
				MVOLT - 120 - 277v	T5HO - 54W (4ft) 24W (2ft)	3C - 3 circuits	ADEZ - Mark X Dimmer 5-100% Phase control	GP1 - One Green Lamp requires multi-circuit	B501LP - Bodine 1 lamp emergency	
				347 - 347v (Canada)		1C/1DM - 1 normal ballast; 1 dimming circuit	ADZT - Mark VII Dimmer 0-10V Low Voltage Dimmer	GP2 - Two Green Lamps, requires multi circuit	B50 - Bodine 2 lamp emergency	
						2C/1DM - 2 normal ballast; 1 dimming circuit		GLR - Fast-Blo Fuse	B30 - 1-2 lamp emergency ballast	
						1DIM - 1 dimming circuit		GMF - Slo-Blo Fuse	BGTD - Bodine Generator Transfer (1 lamp)	
						2DIM - 2 dimming circuits		ALD - Aluminum Door Painted	BGTD3 - Bodine Generator Transfer (3 lamp)	
						3DIM - 3 dimming circuits		BSD - Brushed Stainless Door		
								PSD - Painted Stainless Door		

NOTES
 1 Special and emergency ballasts require specified 120 or 277 voltage (no MVOLT or 347v)
 2 Row Mount Adapter: Specify Pattern. Adapters shipped with Fixtures
 3 Fuses require specific voltage
 4 Contact factory for special dimming requirements
 5 T8 ballast standard instant start, T5 ballast standard program start
 6 PF and RM only with Flange Mount

*See www.healthcare-lighting.com for standard wiring for multiple circuits

NOTE: Specifications subject to change without notice. Actual performance may differ as a result of end-user environment and application.



Surgical troffers are designed to supplement the primary procedure lighting in the surgical theater. When grouped to surround the perimeter of the operating table, the symmetric/asymmetric lens distributes light both downward and toward the surgical field, diminishing shadows and reducing eyestrain of the surgical team.

A gasketed steel door with clean concealed hinge seals plenum contaminates from the surgical suite. For row-mounted flange applications, linking connectors are offered or end flanges may be conveniently removed to allow fixtures to be fastened to one another.

Specifications & Features

- Sealed door with clean concealed hinge is superior alternative to conventional piano hinge
- Integral grounding grid shields sensitive medical equipment from radiated electromagnetic emissions
- Each circuit includes a radio frequency suppressor to shield sensitive medical equipment from conducted emissions
- Multiple circuit and lamping configurations are available, including green lamps
- Available with dimming and emergency ballasts (options)
- Entirely serviceable from within the room

Switching

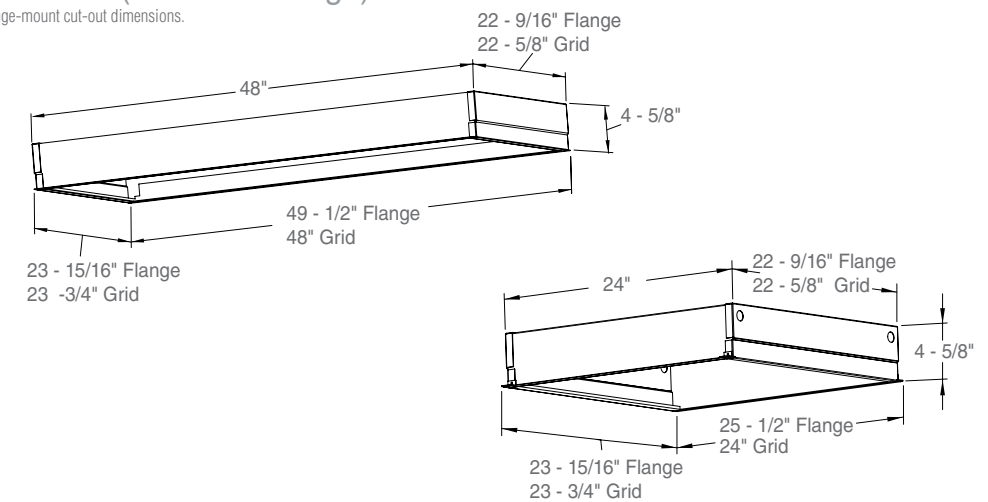
- Line voltage switching (by others)
- Multiple circuit configurations
- Dimmable

Construction

- 18 Ga die-formed steel housing and door frame
- Custom, clear prismatic, grounded grid lens
- Plaster frame kit (option) available
- Polyester powdercoat finish; anti-microbial powdercoat finish is available

Isometric Profile (Grid and Flange)

See website for flange-mount cut-out dimensions.



Photometry

HST124 with (6) 32w T8 Lamps per Fixture
(10) 2ft x 4ft Fixtures Mounted 5-1/2ft above Work plane

+94.3	+124	+160	+195	+215	+215	+195	+160	+124	+94.1
+131	+171	+220	+264	+288	+288	+265	+220	+171	+130
+171	+225	+285	+332	+354	+354	+332	+285	+225	+171
+201	+264	+326	+368	+385	+385	+368	+326	+264	+201
+215	+281	+341	+377	+390	+390	+377	+341	+281	+215
+215	+281	+341	+377	+390	+390	+377	+341	+281	+215
+201	+264	+326	+368	+385	+385	+368	+326	+264	+201
+171	+225	+284	+332	+354	+354	+332	+285	+225	+171
+131	+171	+220	+265	+289	+288	+265	+220	+171	+130
+94.2	+124	+160	+195	+215	+215	+195	+160	+124	+94.1

Avg: 255 • Max: 390 • Min: 94

See website for IES files

*Install with hinge side of fixture closest to table.

Ordering Information

EXAMPLE: HST124 G 120 6 T8 2C RM AM

SERIES	Product	Size	MOUNTING	VOLTAGE	LAMP QTY	LAMPING	CIRCUITS*	BALLAST OPTIONS	OPTIONS	EMERGENCY	FINISH
HST1		24 - 2x4 ft	G - Grid	120 - 120v	6	T8 - 32W (4 ft)	1C - 1 circuit	ADPK - Powercut Rapid Start Hybrid for T8	PF - Plaster Frame Kit	B70A - One lamp Bodine	(Blank) Gloss White
		22 - 2x2 ft	F - Flange	277 - 277v	4	T5 - 28W (4ft)	2C - 2 circuits	DMHL3D - Lutron Hi-Lume	RM - Row Mount Adapter	I48 - Iota 1-2 lamp 350-700 lumens	AM - Anti-Microbial White
		14 - 1x4 ft		MVOLT - 120 - 277v 347 - 347v (Canada)	3 3 lamps for 1x4	T5HO - 14W (2ft) T5HO - 24W (2ft)	3C - 1 circuits 1C/1DM - 1 normal ballast; 1 dimming circuit 2C/1DM - 2 normal ballast; 1 dimming circuit 1DIM - 1 dimming circuit 2DIM - 2 dimming circuits 3DIM - 3 dimming circuits	ADEZ - Mark X Dimmer 5-100% Phase control ADZT - Mark VII Dimmer 0-10V Low Voltage Dimmer	GP1 - One Green Lamp requires multi circuit GP2 - Two Green Lamps requires multi circuit GLR - Fast-Blo Fuse GMF - Slo-Blo Fuse ALD - Aluminum Door Painted BSD - Brushed Stainless Door PSD - Painted Stainless Door	B501LP - Bodine 1 lamp emergency B50 - Bodine 2 lamp emergency B30 - 1-2 lamp emergency ballast BGTD - Bodine Generator Transfer (1 lamp) BGTD3 - Bodine Generator Transfer (3 lamp)	

NOTES
 1 Special ballasts require specified 120 or 277 voltage (no MVOLT or 347)
 2 1x4 is 3 lamps; 2x2 and 2x4 are 3, 4, 5, or 6 lamps
 3 T5HO not available with 6 lamps
 4 Row mount adapter: specify pattern. Adapters shipped with fixtures
 5 Non-standard wiring contact factory
 6 PF and RM only with Flange Mount

*See www.healthcare-lighting.com for standard wiring for multiple circuits

NOTE: Specifications subject to change without notice. Actual performance may differ as a result of end-user environment and application.

MRI





The Teron-SF MRI provides effective undercabinet task lighting with an entirely non-ferrous design. Its non-magnetic construction, along with DC power compatibility, makes this fixture especially suitable for use in the MRI environment.

Specifications & Features

- Solid front housing provides cut-off and minimizes light trespass
- Uses 15w T7 incandescent lamps (by others)
- Rugged die-formed aluminum construction for installation ease and long-term durability
- Automatic shut-off timer, 1-15 minutes (option)
- Compatible with both AC and DC power supplies (120v only)

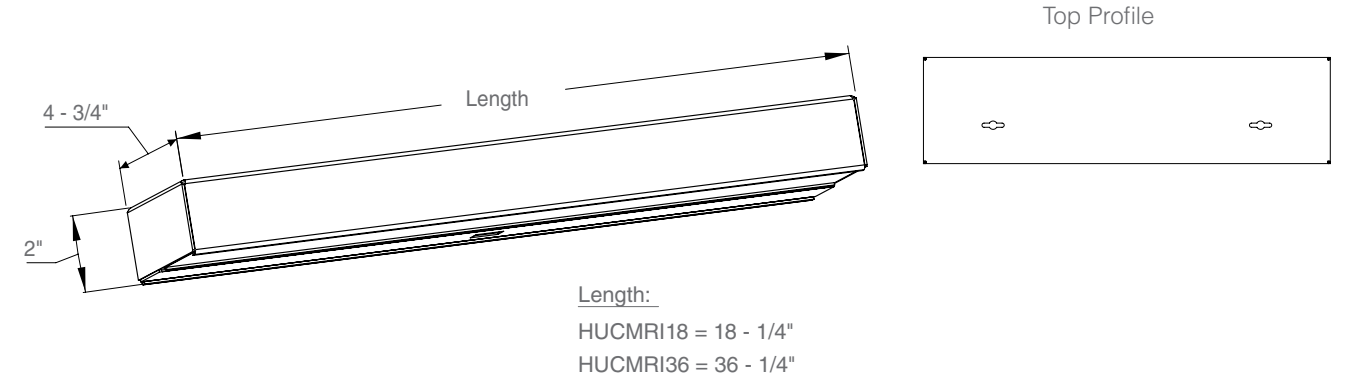
Switching

- Line voltage switching (by others)
- On/off rocker switch (option)

Construction

- 16 Ga die-formed aluminum housing with key-hole slots for mounting ease
- Porcelain lampholders
- Clear impact-resistant polycarbonate lay-in diffuser
- Polyester powdercoat finish; anti-microbial powdercoat finish is available

Isometric Profile



Fixture Details



This unique fixture boasts a true, nonferrous lighting system with localized switching and DC adaptability that will not interfere with sensitive MRI scanning equipment.



T7 lamps are easily serviced with a lay in lens and ample space within the lamp compartment for maintenance access.

Ordering Information

EXAMPLE: HUC MRI36 120 SX AM

Teron-SF MRI

SERIES	SIZE	VOLTAGE	SWITCHING	FINISH
HUC - Under-Cabinet	MRI18 - 18in. (3) 15w T7 Lamps (by others) MRI36 - 36in. (6) 15w T7 Lamps (by others)	120 - 120v	S1 - On-Off Rocker Switch SX - No Switch	(blank) - Gloss White AM - Anti-Microbial White CC - Custom Color

NOTES
1 Custom Color require factory pricing

NOTE: Specifications subject to change without notice. Actual performance may differ as a result of end-user environment and application.



General lighting in radiology, oncology, and specialized treatment areas should create a calming atmosphere to ease patient tensions as much as possible. Ceiling fixtures with interesting graphics such as colorful landscape scenes can provide a pleasant distraction while patients are prone or recumbent for long periods of time. For MRI applications, the fixture is built with entirely non-ferrous construction and a remotely-mounted LED driver.

Visit the image library on our website to choose from a wide array of high-quality graphics from renowned National Geographic® photographers. Our proprietary lens construction results in a high-definition effect with amazing color. Choose a single fixture to provide a backlit focal point, or spread the image across an arrangement of fixtures to create a panoramic view.

Specifications & Features

- High-efficiency LED light source
- Sealed universal housing suits either grid or flange installations
- Vivid color, proprietary high-definition lens
- Library of impressive National Geographic images to choose
- Customized layouts and images are available; consult factory
- Tool-free cam-lock tabs secure door against gasket for dust seal

Switching

- Line switching (by others)
- Multiple circuit configurations

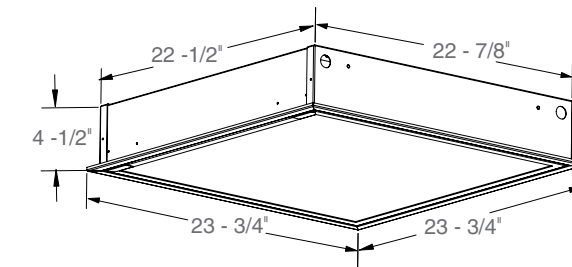
For MRI Room Installation: Mount driver in NEMA-1 enclosure (by others) outside of MRI room RF shield. #16 shielded cable recommended through penetration shield to fixture (50ft. max. length). Some installations may require RFI filtering (by others). Consult applicable code.

Construction

- 16 Ga aluminum housing and door frame
- Clean, concealed hinge design
- Universal housing for both grid and flange installations
- High-impact polymer translucent photographic lens
- Polyester powdercoat finish; anti-microbial powdercoat finish is available

Isometric Profile (Grid and Flange)

See website for flange-mount cut-out dimensions.

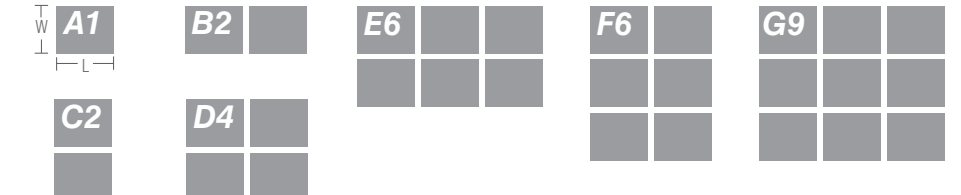


Universal housing for grid or flange mounting.

Fixture Configuration

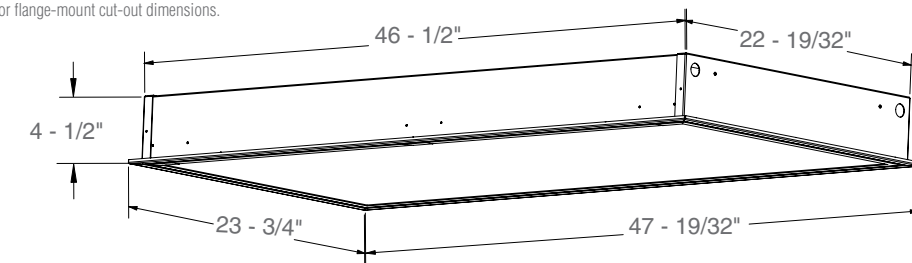
Configuration	Size (W x L)
A1	2' x 2'
B2	2' x 4'
C2	4' x 2'
D4	4' x 4'
E6	4' x 6'
F6	6' x 4'
G9	6' x 6'

Gallery Chart 2X2



Isometric Profile (Grid and Flange)

See website for flange-mount cut-out dimensions.

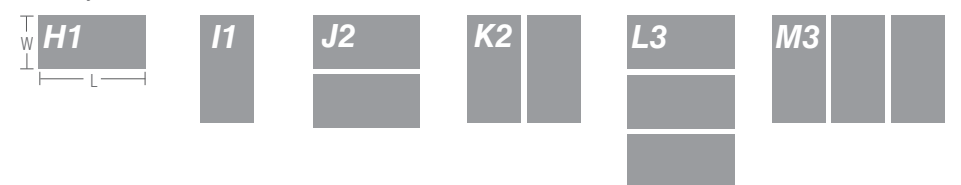


Universal housing for grid or flange mounting.

Fixture Configuration

Configuration	Size (W x L)
H1	2' x 4'
I1	4' x 2'
J2	4' x 4'
K2	4' x 4'
L3	6' x 4'
M3	4' x 6'

Gallery Chart 2X4



Ordering Information

EXAMPLE: HCV322 G 120 SP1 D4 GI1298

ComfortView LED/MRI

SERIES	Product	Size	MOUNTING	VOLTAGE	FIXTURE SPACING	CONFIG	IMAGE NUMBER	OPTIONS	FINISH
HCV3 LED MRI		22 - 2x2 ft	G - Grid	120 - 120v	SP0 - 0-inch	A1 B2 C2 D4 E6 F6 G9	See image gallery on website www.healthcare-lighting.com	DM - 0-10v Dimming	(blank) - Gloss White
		24 - 2x4 ft	F - Flange	277 - 277v	SP1 - 1-inch (Std Grid) SP15 - 1.5 inch Grid SPN - Non-Std ²	H1 I1 J2 K2 L3 M3		SX - No Switch GLR - Fast-Blo Fuse GMF - Slow-Blo Fuse	AM - Anti-Microbial White

NOTES

- 1 MRI fixture requires remote-mounted driver, included
- 2 Contact factory for non-standard grid size to preserve patterns
- 3 Certain images not available in G, F, and L patterns
- 4 See image gallery at healthcare-lighting.com
- 5 RFI filters supplied by others

NOTE: Specifications subject to change without notice. Actual performance may differ as a result of end-user environment and application.



The Trilume MRI features completely non-ferrous construction that will not interfere with sensitive magnetic scanning equipment. This special consideration, along with DC power compatibility, makes this 2x2 fixture especially suitable for general lighting of the MRI environment. The enclosed lamp shield delivers shadow-free lighting without glare to immobilized patients and for radiology technicians.

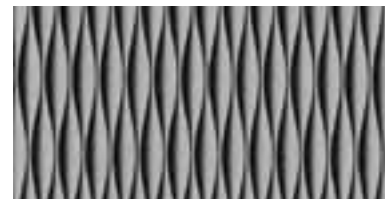
Specifications & Features

- Rugged die-formed aluminum construction for long-term durability
- Removable lamp shield for easy relamping
- Compatible with both AC and DC power supplies (120v only)
- Uses (2) T10 medium base halogen lamps (by others), 60w, 75w, or 100w

Switching

- Line voltage switching (by others)

WAV optional acrylic insert wave pattern



PAI optional perforated acrylic insert pattern

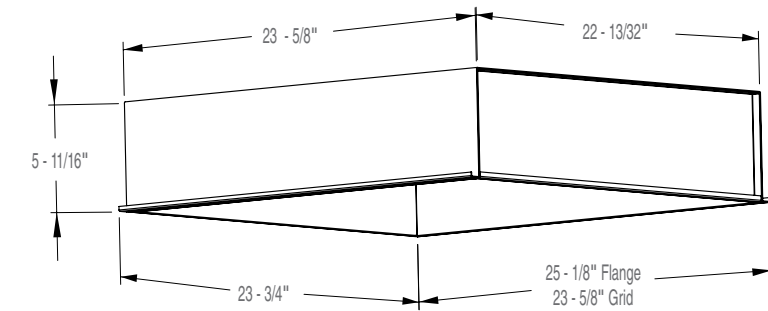


Construction

- 16 Ga die-formed aluminum housing and reflectors
- Perforated aluminum or acrylic with diffuser insert lamp shield
- Porcelain lampholders
- Polyester powdercoat finish; anti-microbial powdercoat finish is available

Isometric Profile (Grid and Flange)

See website for flange-mount cut-out dimensions.



Fixture Details



Trilume MRI incorporates a completely non-ferrous design that will not interfere with sensitive scanning equipment. A removable lamp shield covers two non-ferrous T10 halogen lamps.



Ambient lens basket incorporates an innovative translucent acrylic insert that allows light to pass through while inhibiting lamp silhouette glare. Lens is easily removed to access lamp compartment for maintenance.

Ordering Information

EXAMPLE: HPT3M G 120 75T10 TAI AM

Trilume MRI

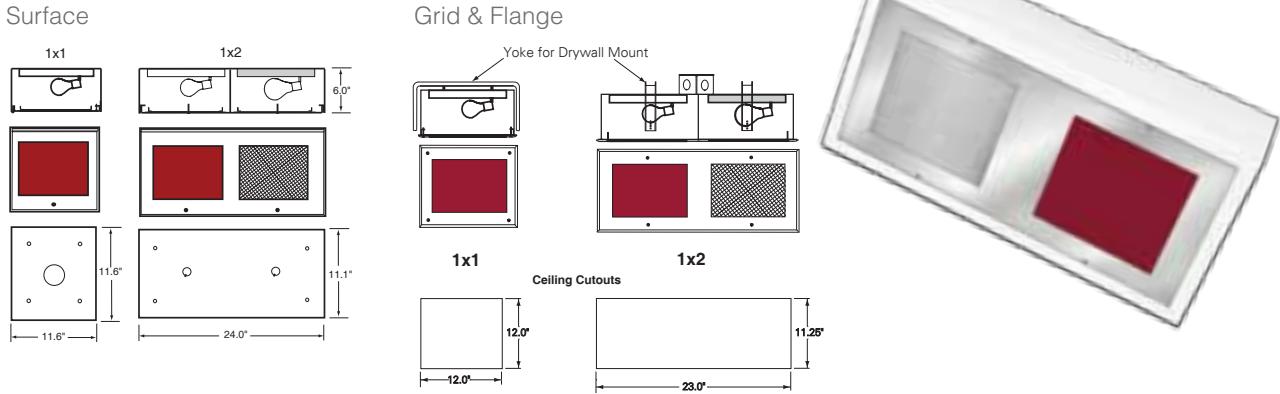
SERIES Product	MOUNTING	VOLTAGE	LAMPING	DIFFUSER	FINISH
HPT3M - 2x2 ft	G - T-Grid F - Flange	120 - 120v	60T10 - 2 60w Medium Base Halogen 75T10 - 2 75w Medium Base Halogen 100T10 - 2 100w Medium Base Halogen	TAI - Translucent Acrylic PAI - Perforated Acrylic PAB - Perforated Aluminum Basket WAV - Acrylic insert with Wave Pattern	(blank) - Gloss White AM - Anti-Microbial White

NOTES
1 Lamps and switching provided by others
2 Only available in 120v

NOTE: Specifications subject to change without notice. Actual performance may differ as a result of end-user environment and application.



Darkroom Safelight & X-Ray Illuminators



Darkroom safe lights are specialty fixtures for use in film development or scientific laboratories. Incandescent lamping and special filters protect the images captured on sensitive X-ray and photographic films. Films may be exposed for short durations to low intensity, limited spectrum light, allowing transfer to equipment where processing takes place in total darkness. Recommended filter and lamp wattage is specified by the film manufacturer. A variety of filters is available to suit most applications. With proper filter selection, this fixture provides illumination without film damage.

Available in single compartment (primary) or two-compartment (primary and secondary) styles. Lamp wattage is limited to 15w for the primary (filtered) compartment. Higher wattages will result in filter damage and over-exposure of film.

Specifications & Features

- Sealed partition between light sources protects processes from exposure
- Includes quality Kodak® brand filter
- Hinged, sealed door frame with integral light trap

Switching

- Line voltage switching (by others)

Construction

- 20 Ga steel housing, lapped and spot welded
- 20 Ga 4B satin polished stainless steel door frame
- Neoprene door gasket
- Kodak brand filter
- C73 prismatic clear tempered glass secondary lens
- Gloss white powdercoat finish on housing

Please visit the Acuity Brands website for warranty terms: http://www.acuitybrands.com/CustomerResources/Terms_and_conditions.aspx

Ordering Information

EXAMPLE: HDR112 F F1 PF2

Darkroom Safe Light

SERIES product	CONFIGURATION	MOUNTING	KODAK FILTER AND COLOR NAME	OPTIONS
HDR1	11 - One Primary Lens 15W A25 Incandescent lamp 12 - One Primary and One Secondary Lens; 200W A23 Incandescent Lamp (G and F) or 150W A21 Incandescent Lamp (S)	F - Flange G - Grid S - Surface	F1 - Red F3 - Dark Green F10 - Dark Amber F13 - Amber FGBX2 - Green/Yellow FOC - Light Amber	PF1 - Plaster Frame for HDR111-F PF2 - Plaster Frame for HDR112-F

NOTE: Specifications subject to change without notice. Actual performance may differ as a result of end-user environment and application.



The Techline X-Ray Illuminator provides uniform light diffusion for optimally viewing diagnostic imaging films. Customize the viewing arrangement with multi-panel configurations - side by side or double row - in a thin, 3" profile for surface or recessed mounting. A two-position rocker switch is included with every viewing panel, conveniently grouped in a centralized cluster for multi-panel arrangements.

Choose the 200 Series for 2 lamps per panel, suitable for reading films of normal density. The 3-lamp (300 Series) and 4-lamp (400 Series) options are available to achieve the additional brightness preferred by some radiologists. Dual-intensity switching is available on the 400 Series to independently control "Hi/Low" illumination of each panel.

Specifications & Features

- Thin profile is clean, simple, and unobtrusive
- Shatter-proof translucent viewing panel consistently diffuses light
- Roller-gravity grip accommodates all film thicknesses and requires no field adjustments
- Continuous bottom film ledge allows reading of multiple film sizes on a single viewing panel
- Various multi-panel configurations available
- Cluster switching is standard on all multi-panel configurations
- Easily serviced without removal from wall
- Film-activated switch (option) adds operating convenience and eliminates excess light from adjacent panels
- Multi-panel master switch (option) allows on/off control of all panels as a group
- 15w T8 lamps included
- Hospital grade cord and plug is standard on surface-mount version

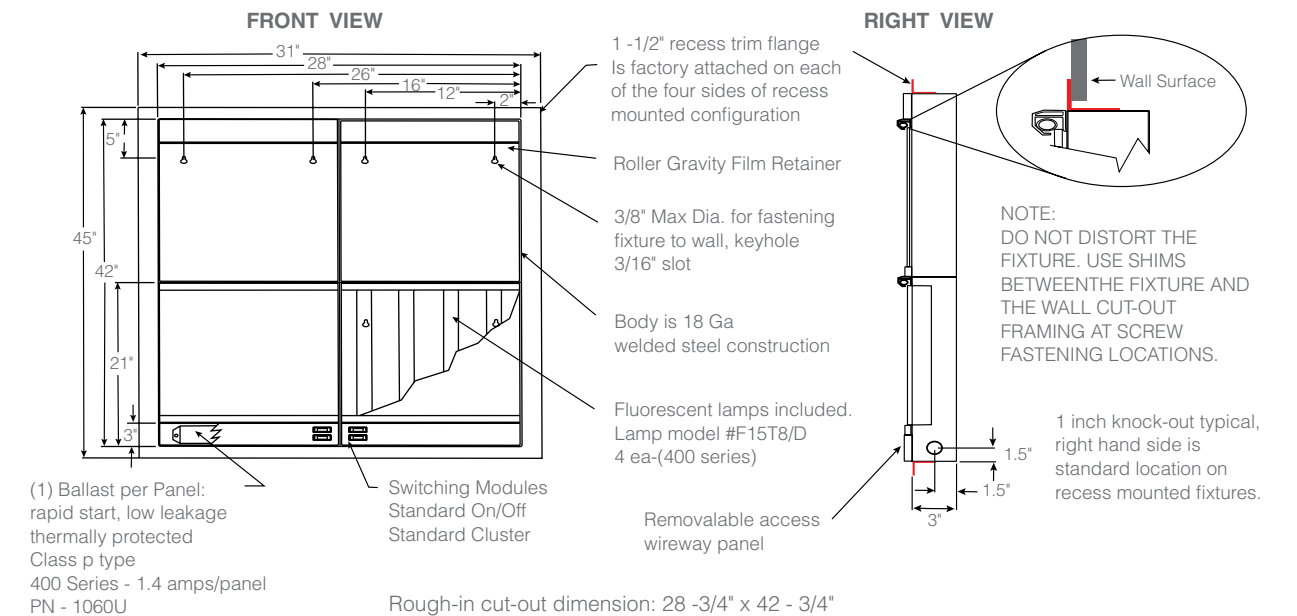
Construction

- 18 Ga welded steel universal housing for recess or surface mounting
- Shatter-resistant MC thermoplastic panels
- Self-adjusting, stainless steel film grip
- White powdercoat finish

Switching

- Two-position on/off rocker switch included with every viewing panel
> For multi-panel configurations, switches are clustered at bottom center of the arrangement
- Three-position rocker switch (auto, manual, off) with film-activated switching (option)
- Dual-intensity switching (option) for Hi/Low panel illumination modes

Dimensional Data



Photometry

(per panel)

TECHLINE	Illumination* levels (Expected Minimum cd/m ²)	Amps	Voltage Requirements
2 Lamp	2420	.75	118v 60 Hz
3 Lamp	3400	.66	118v 60 Hz
4 Lamp (Standard High Intensity)	4350		
4 Lamp (Dual Intensity Low Mode)	2700	.70	118v 60 Hz
4 Lamp (Dual Intensity High Mode)	3200		

*These light levels are taken from procedures specified by the German DIN6865 standard. Currently this is the only published standard for evaluating luminance levels of x-ray illuminators.

Measurements are subject to change without notice.

Ordering Information

EXAMPLE: HXR 200 R 120 1R 2P FAS

Techline X-Ray Illuminator

SERIES PRODUCT	LAMPS	MOUNTING	VOLTAGE	PANEL ROWS	VIEWING AREA (X 17IN. HEIGHT)	OPTIONS
HXR	200 - 2-lamp 300 - 3-lamp 400 - 4-lamp	S - Surface R - Recessed	120 - 120V	1R - Single Row (21 in. height; 17 in. viewing height) 2R - Double Row (42 in. height; 28 in. viewing height)	1P - 14 inch wide 2P - 28 inch wide 3P - 42 inch wide 4P - 56 inch wide 5P - 70 inch wide 6P - 84 inch wide	FAS - Film Activated Switch MS - Master Switch DIS - Dual Intensity Switching (HXR400 only - includes FAS Option)

NOTE: Specifications subject to change without notice. Actual performance may differ as a result of end-user environment and application.



The Economy X-Ray Illuminator offers the same high quality construction as the Techline series but in a simpler design with fewer options. It provides a lower cost alternative to address basic viewing needs.

Side-by-side configurations of up to 4 panels are available in a slim-profile, surface or recessed mount, housing. Each panel is uniformly illuminated by two lamps controlled by an independent on/off rocker switch.

Specifications & Features

- Thin profile is clean, simple, and unobtrusive.
- Shatter-proof translucent viewing panel consistently diffuses light
- Film holding system accommodates all film thicknesses, wet or dry, with no field adjustment
- Continuous bottom film ledge allows reading of multiple film sizes on a single viewing panel
- Includes two 15w T8 lamps per viewing panel
- Hospital-grade cord and plug is standard on surface-mount version

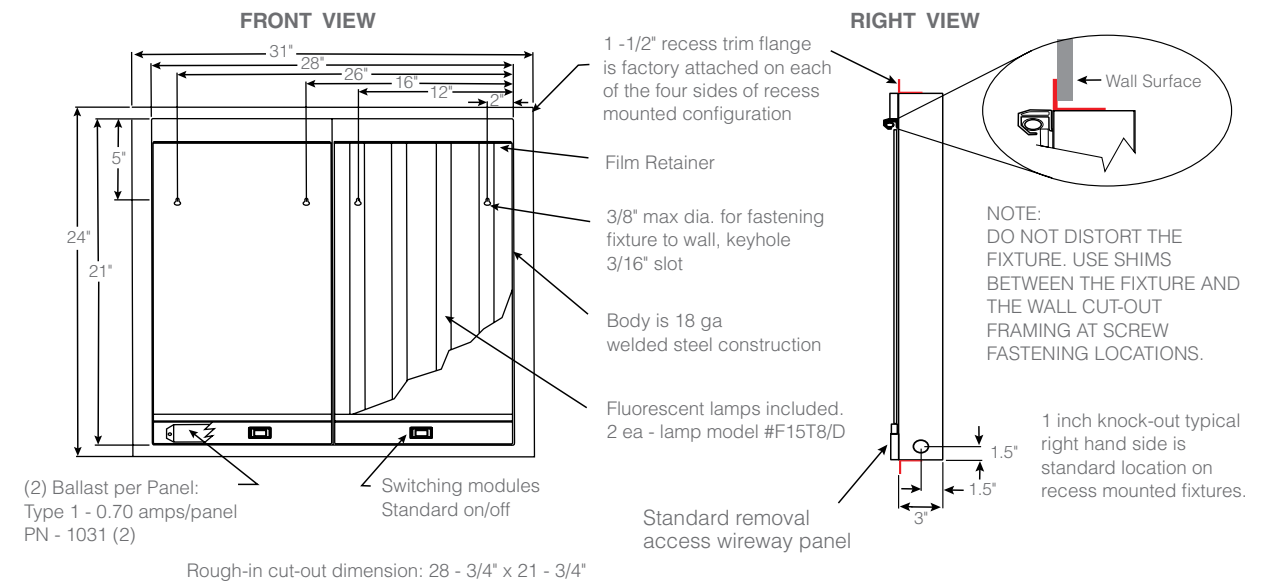
Switching

- Two-position on/off rocker switch included with every viewing panel

Construction

- 18 Ga welded steel universal housing for recess or surface mounting
- Shatter-resistant MC thermoplastic panels
- Plastic friction grip
- White powdercoat finish

Dimensional Data



Photometry (per panel)

ECONOMY	Illumination* levels (Expected Minimum cd/m ²)	Amps	Voltage Requirements
2 Lamp	2420	.75	118v 60 Hz

*These light levels are taken from procedures specified by the German DIN6865 standard. Currently this is the only published standard for evaluating luminance levels of x-ray illuminators. Measurements are subject to change without notice.

Ordering Information

EXAMPLE: HXR800 R 120 02

Economy X-Ray Illuminator

SERIES product	MOUNTING	VOLTAGE	CONFIGURATION (PANELS)
HXR800	S - Surface R - Recessed	120 - 120 v	01 - Single Panel 14 x 17 Viewing Area 14 x 21 L x H 02 - 2 Panel 28 x 17 Viewing Area 28 x 21 L x H 03 - 3 Panel 42 x 17 Viewing Area 42 x 21 L x H 04 - 4 Panel 56 x 17 Viewing Area 56 x 21 L x H

NOTE: Specifications subject to change without notice. Actual performance may differ as a result of end-user environment and application.

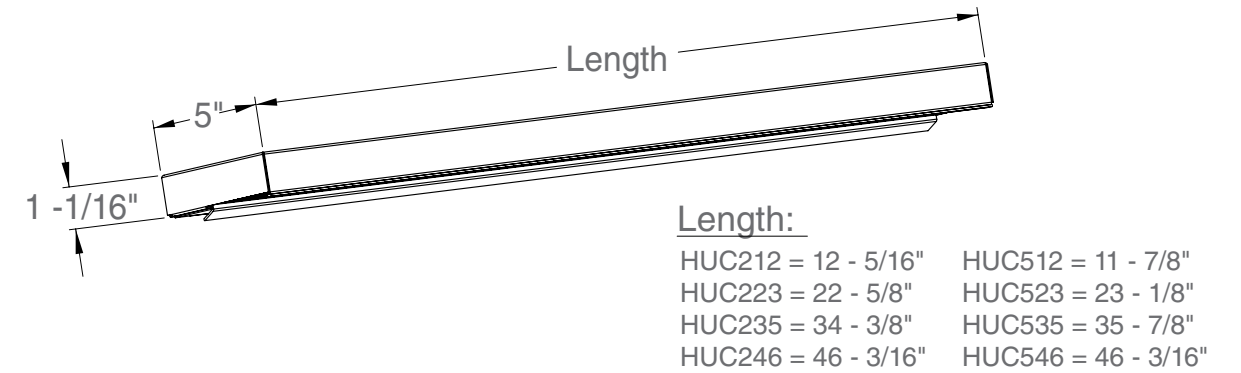
Please visit the Acuity Brands website for warranty terms: http://www.acuitybrands.com/CustomerResources/Terms_and_conditions.aspx



Under-Cabinet Task Lighting

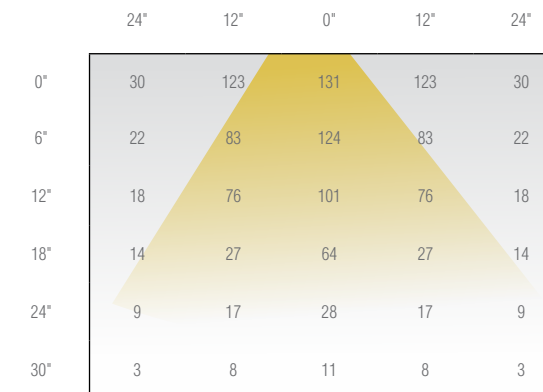


Dimensional Data



Photometry

HUC235 (1) 21w T5 Lamp
Mounting Height 15"



Localized task lighting is essential in many areas of a healthcare facility. This is especially important where work areas lay beneath cabinets or counters, as commonly found in pharmacies, laboratories, and nurse stations. Properly lighting these dim task areas reduces workers' eye strain and fatigue.

The custom lens design of the Spectra-SF LED undercabinet fixture effectively diffuses the point sources of light to eliminate dark bands and multiple shadowing sometimes associated with LEDs. The result is uniform distribution of light across the work surface without bothersome striations and distortions. A solid front housing creates clean cut-off and eliminates forward glare.

Specifications & Features

- Solid front housing provides cut-off and minimizes light trespass
- Rugged steel construction for installation ease and long-term durability
- Linking connectors and extensions (options) join fixtures end-to-end, eliminating individual power feeds (120v only)
- Occupancy sensor (option) with field-adjustable time delay improves energy-efficiency
- Available with LED or fluorescent (T5) lamping

Switching

- Line voltage switching (by others)
- On/off rocker switch (option)

Construction

- 20 Ga steel housing with key-hole mounting slots
- Clear ribbed, high-impact acrylic snap-in diffuser
- Polyester powdercoat finish; anti-microbial powdercoat finish is available

Ordering Information

EXAMPLE: HUC223 120 T5 S1 GMF LX6

Spectra-SF

SERIES PRODUCT	SIZE	VOLTAGE	LAMPS	SWITCHING	OPTIONS (Can have more than one)	LINKING OPTIONS ³ (120v only)	FINISHES
HUC5 - LED	12	120 - 120 v	LED35 - 3500k (standard)	S1 - On-Off Rocker ¹	DIM - Dimming ¹	LX - Linking power connector only	(blank) - Gloss White
HUC2 - T5	23	277 - 277v	LED30 - 3000k LED	OS - Occupancy Sensor	GMF - Sto-Blow Fuse	LX6 - 6" linking extension with connector	AM - Anti-Microbial White
	46	MVOLT ¹ - 120v - 277v	LED40 - 4000k LED		GLR - Fast Blow Fuse	LX12 - 12" linking extension with connector	CC - Custom Color ²
			T5		CP - Cord and Plug	LX24 - 24" linking extension with connector	
			2T5 (One Circuit)		CO - Single gang convenience outlet ⁶		
					BW - Bat Wing		

NOTES

- 1 MVOLT not available with S1 switch or dimming
- 2 Custom color requires factory pricing
- 3 LLX6, LX12, and LX24 include LX connector and one extension
- 4 Linking available in 120v only
- 5 Dimming and Occupancy Sensor cannot be specified together
- 6 Convenience outlet only available with LED and not available with cord and plug

NOTE: Specifications subject to change without notice. Actual performance may differ as a result of end-user environment and application.



Sometimes dedicated task lighting is needed where mounting space is at a premium. With its shallow 2-1/2" profile, the Quark-OF undercabinet fixture is the ideal solution to install in tight spots such as under the narrow ledge of a transaction counter in a nurse station. The open front lens design distributes light both forward and downward.

Specifications & Features

- Ultra-slim design is only 2-1/2" deep and 1-1/32" high
- Open-front design delivers maximum light output from T5 lamp
- Rugged steel construction for installation ease and long-term durability
- Linking connectors and extensions (options) join fixtures end-to-end, eliminating individual power feeds (120V only)

Construction

- 20 Ga steel housing with key-hole mounting slots
- Clear ribbed, high-impact acrylic snap-in diffuser
- Polyester powdercoat finish; anti-microbial powdercoat finish is available

Switching

- Line voltage switching (by others)
- On/off rocker switch (option)

Fixture Detail

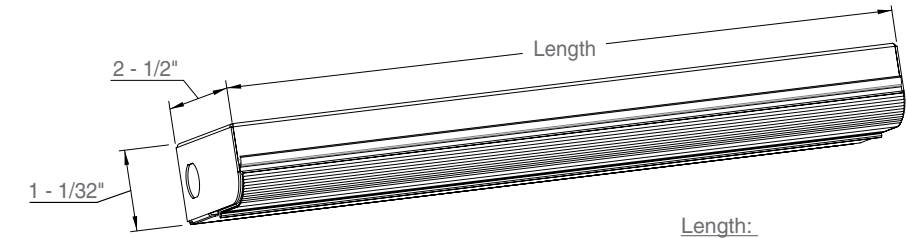


Linking Connectors enable row mounted housings to use one power connection (LX). The LX option is available in 120 volt only.



Linking extensions for extended row mounting and around obstacles are available in 6, 12 and 24 inch lengths. This feature must be used with the LX options and is available in 120 volt only.

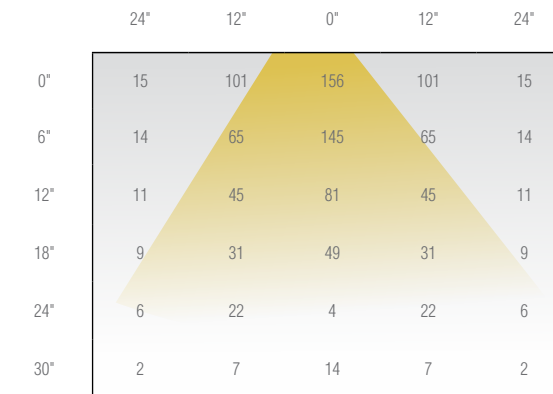
Dimensional Data



Length:
HUC112 = 12 - 5/16"
HUC123 = 22 - 5/8"
HUC134 = 34 - 3/8"
HUC146 = 46 - 3/16"

Photometry

HUC134 (1) 21w T5 Lamp
Mounting Height 15"



Ordering Information

EXAMPLE: HUC112 120 LX6 AM

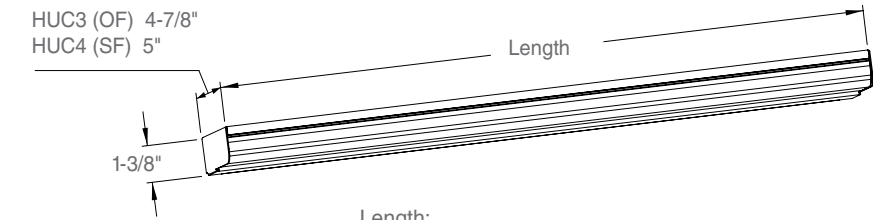
SERIES product	Size	VOLTAGE	SWITCHING ¹	OPTIONS	LINKING OPTIONS (120v only)	FINISH
HUC1	12 23 34 46	120 - 120v 277 - 277v	S1 - On-Off Rocker ¹	DIM - Dimming GLR - Fast-Blo Fuse GMF - Slo-Blo Fuse CP - Cord and Plug	LX - Linking power connector only LX6 - 6" linking extension with connector LX12 - 12" linking extension with connector LX24 - 24" linking extension with connector	(blank) - Gloss White AM - Anti-Microbial White

NOTES
1 Rocker switch only compatible with 120v for this size fixture
2 Linking available in 120v only
3 LLX6, LX12, and LX24 include LX connector and one extension
4 Standard - No switch

NOTE: Specifications subject to change without notice. Actual performance may differ as a result of end-user environment and application.



Dimensional Data



Length:
 HUC318/HUC418 = 18 -1/8"
 HUC324/HUC424 = 24 -1/8"
 HUC336/HUC436 = 36 -1/8"
 HUC348/HUC448 = 48 -1/8"

Even though wall-mounted cabinets create dark spaces beneath, these areas are commonly used as work surfaces. The dimness can result in worker eye strain, fatigue, and mistakes. This is a particularly important consideration in pharmacies, laboratories, and other areas of the hospital where task accuracy is essential.

The Teron is offered in 2 styles. The solid-front (SF) housing provides a clean cut-off for downward delivery of light onto the work surface. The open-front (OF) housing delivers light both downward and forward.

Specifications & Features

- Available in solid front or open front housing
 - Solid front housing provides cut-off and minimizes light trespass
 - Open-front design distributes light both forward and downward
- Uses common T8 lamp (by others)
- Rugged steel construction for installation ease and long-term durability
- Occupancy sensor (option) with field-adjustable time delay improves energy-efficiency
- Linking connectors and extensions (options) join fixtures end-to-end, eliminating individual power feeds (120v only)

Switching

- Line voltage switching (by others)
- On/off rocker switch (option)

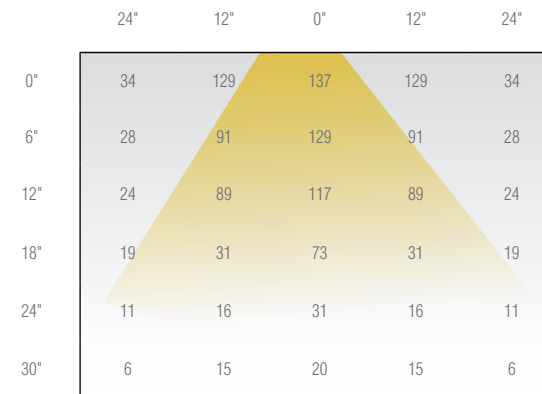
Construction

- 20 Ga steel housing with key-hole mounting slots
- Clear ribbed, high-impact acrylic snap-in diffuser
- Polyester powdercoat finish; anti-microbial powdercoat finish is available

Photometry

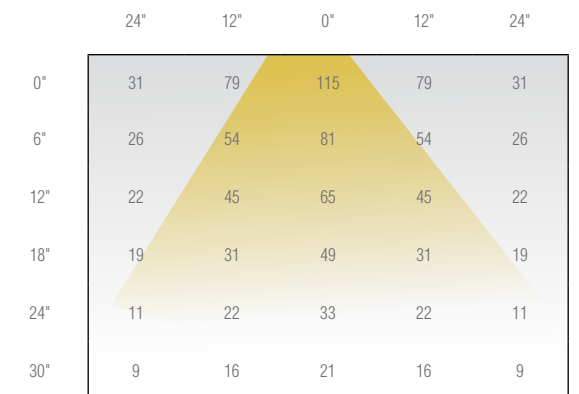
HUC436 (1) 32w T8 Lamp

Mounting Height 15"



HUC336 (1) 32w T8 Lamp

Mounting Height 15"



Ordering Information

EXAMPLE: HUC436 120 S1 LX6 AM

Teron

SERIES product	Size	VOLTAGE	SWITCHING	LINKING OPTIONS (120v only)	BALLAST	OPTIONS	FINISH
HUC3 - Open Front	18	120 - 120v	S1 - On-Off Rocker Switch	LX - Linking power connector	GEB10IS - Generic Instant start ballast	GLR - Fast-Blo Fuse	(blank) - Gloss White
HUC4 - Solid Front	36	277 - 277v	OS - Occ-Sensor ⁷	LX6 - 6" linking extension with connector	GEB10DIM - Generic 0-10V Dimming ⁷	GMF - Slo-Blo Fuse	AM - Anti-Microbial White
	48	MVOLT ¹ - 120v - 277v 347 - 347v (Canada)		LX12 - 12" linking extension with connector LX24 - 24" linking extension with connector	GEB10RS - Optional Rapid-start	CP - Cord and Plug	

NOTES
 1 MVOLT not available with switching, linking, or Occ Sensor
 2 Custom color requires factory pricing
 3 Programmed rapid start ballast not available in 18 inch version
 4 Linking available in 120v only
 5 LLX6, LX12, and LX24 include LX connector and one extension
 6 347v not available with switch, linking, or dimming options
 7 Dimming and occupancy sensor cannot be specified together
 8 T8 lamps - instant start ballast standard

NOTE: Specifications subject to change without notice. Actual performance may differ as a result of end-user environment and application.

Please visit the Acuity Brands website for warranty terms:
http://www.acuitybrands.com/CustomerResources/Terms_and_conditions.aspx



LED Message Signs



Message signs can be used to identify hazardous areas such as X-ray and laser procedure rooms or simply to provide wayfinding guidance. Choose from a selection of the most common legends or specify custom wording to suit your specific needs – illuminated by ultra-low consumption LEDs in your choice of green, red, or blue.



Specification & Features

- Top-mounted, downward-facing LED board with integral universal (120v/277v) driver
- Tool-free access to LED strip, transformer, and quick-disconnect for easy installation and service
- Surface and canopy mount versions available; double-side legend is available on canopy-mount
- Universal canopy plate for ceiling or wall installation
- Choose from many standard legends or specify custom wording
- Emergency battery back-up and weather guard (surface mount only) options are available

Construction

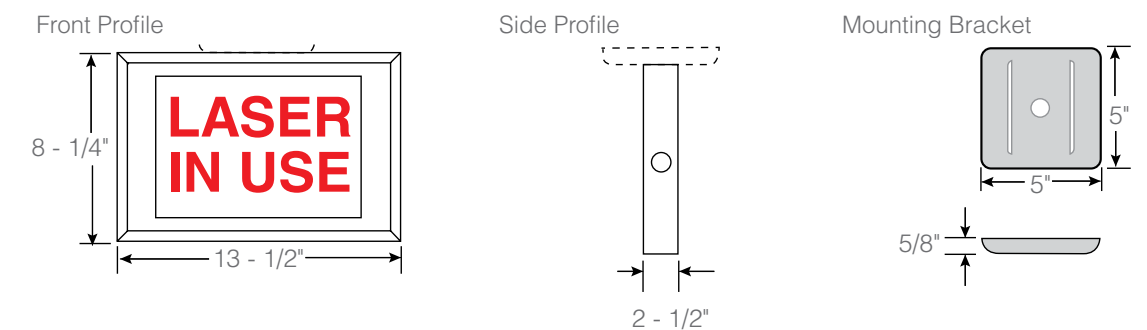
- Heavy-gauge die-cast aluminum housing
- High grade thermoplastic white shield with laser-cut letters in color corresponding to LED choice
- Textured white finish

Switching

- Line voltage switching (by others)

Please visit the Acuity Brands website for warranty terms: http://www.acuitybrands.com/CustomerResources/Terms_and_conditions.aspx

Dimensional Data



Ordering Information

EXAMPLE: HSG301 XIU RD

Alert Message Signs

SERIES	LEGEND CODE	LEGEND AND LED COLOR	OPTIONS
Product	Surface Mount		
HSG3	01 - Surface Mount; Single Side 02 - Canopy Mount; Single Side 03 - Canopy Mount; Double Side	DRIU - DARKROOM IN USE DNE - DO NOT ENTER IU - IN USE XIU - X-RAY IN USE XO - X-RAY ON MIU - MRI IN USE EX - EXIT	ARA - AREA OF RESCUE ASSISTANCE ARAW - AREA OF RESCUE ASSISTANCE (with wheelchair graphic) BO - BEAM ON BR - BEAM READY LIU - LASER IN USE AOR - AREA OF REFUGE SW - Special Wording ARR - Special Arrow
		RD - Red GR - Green BL - Blue	EM - Emergency Battery Backup LENS - Replacement Lens Only WG - Weather Guard ? TS - Tamper Resistant Screws VS - Vandal Resistant Polycarb Face Shield

NOTES
 1 Contact factory for special wording/special arrow
 2 Weather Guard not compatible with canopy mount (HSG301 only)

NOTE: Specifications subject to change without notice. Actual performance may differ as a result of end-user environment and application.

HEALTHCARE
 **LIGHTING®**
lighting the way to better health