

# LED-8039 Post Top / Bollard / Area

**20w = 70W**  
LED MH / HPS

SKU No. (USA & Can)	Description
LED-8039E30	20W, 3000K
LED-8039E42	20W, 4200K
LED-8039E57	20W, 5700K



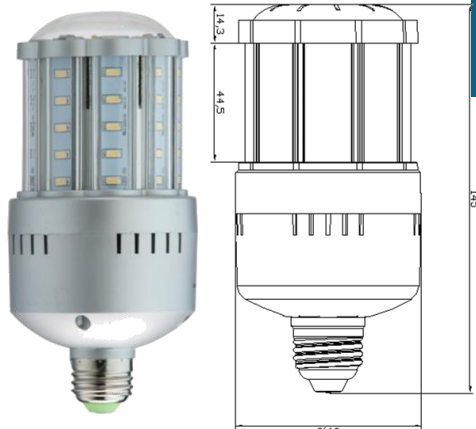
**lighting facts**  
LED Product Partner



## Description:

LED retrofit design to replace MH and HPS lamps up to 70w. Fully encapsulated, 20 watt LED with E26 Edison base. Small, compact size and omni-directional LED placement allows suitable for fully enclosed bollards and other typical HID fixtures giving full 360° illumination. Suitable for fully enclosed fixtures. UL1598C classification maintains modified fixture UL certification.

- 20W power consumption
- Replaces up to a 70W HID
- 360° illumination
- 120-277VAC, Non-Dimmable
- Available in 3000K, 4200k & 5700K CCT
- >80 CRI
- 50,000 hr. rated L70 LED life
- Operating temp: -40°F - 122°F
- UL Listed (US & CA) Damp Locations and rated for enclosed fixtures
- 5 Year warranty



## Applications:

LED Post top / Bollard / Site LED for HID retrofit lamps lower energy costs, bulb and ballast replacement costs and also can greatly reduce costly equipment rental when re-lamping HID lamps on and off cycle. LED for HID retrofits will also eliminate lamp disposal issues due to the mercury content in many HID lamps.

- Outdoor area lighting
- Bollard / Jelly Jar
- Wall Pack
- Cold display
- Security Lighting

## Packaging: 9/Master Carton

Unit : 3.7" x 3.7" x 6.77"  
Master: 11.8" x 11.8" x 7.5"

## Installation Notes:

- When installing LED-8000 series retrofit lamps within HID fixtures, ballast must be bypassed when present.
- 8000 series retrofits are UL damp rated, sealing the fixtures after installation will deliver best results.
- Installing surge/lightning protectors is highly recommended and helps to eliminate premature driver failure caused by surges and other power fluctuations.

Technical Specifications			
Bulb Type	HID Retrofit	Mounting	E26
Bulb Material	Aluminum/ Polycarbonate	LEDs:	50 Samsung #5630 SMD LED's
Power Consumption	20 watts	Beam Angle	360 °
Lumens	3000K: 1664 Lm 4200K: 1956 Lm 5700K: 2008 Lm	Dimmable	No
Efficacy	79-92 LPW	Replaces	Up to 70W HID
Rated LED Life	Up to 50,000 Hrs.	CCT	3000K 4200K 5700K
Power Factor:	>99	CRI:	> 80
IR / UV	None	Mercury/ Lead Content	None
Warranty	5 year Limited	Dimensions	5.7" X 2.75"

Note: All specification information falls within a ± 2% range and is subject to change without notice.

NOTE: Light Efficient Design is providing this information to the general public. Please note that all products contained herein are trademarked, copyrighted, and/or have patents pending. Any use of these designs is strictly prohibited without prior written consent. Light Efficient Design protects its proprietary information vigorously in the courts of the United States of America.