

STR-LWY-2M-HT-IP-02-06

LEDway® IP66 Street Light - Type II Medium - Horizontal Tenon Mount - 20-60 LEDs

Product Description

Luminaire housing is all aluminum construction. Standard luminaire utilizes terminal block for power input suitable for #2-#14 AWG wire. Luminaire is designed to mount on a 2" (51mm) IP, 2.375" (60mm) O.D. horizontal tenon or 1.25" (32mm) IP, 1.66" (42mm) O.D. horizontal tenon when ordered with XA-XIL125IP accessory kit and is adjustable +/-5° to allow for luminaire leveling (two axis T-level included). Horizontal tenon must be minimum 8" (203mm) long.

Performance Summary

- Utilizes BetaLED® Technology
- Patented NanoOptic® Product Technology
- Made in the U.S.A. of U.S. and imported parts
- CRI:** Minimum 70 CRI
- CCT:** 5700K (+/- 500K) Standard, 4000K (+/- 300K)
- Limited Warranty†:** 10 years on luminaire/10 years on Colorfast DeltaGuard® finish
- EPA and Weight:** Reference EPA and Weight spec sheet

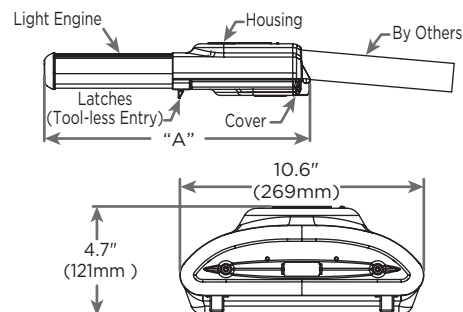
Accessories

Field Installed Accessories	
XA-BRDSPK30 (20-30 LEDs)	XA-XSLBLS30 (20-30 LEDs)
XA-BRDSPK60 (40-60 LEDs) Bird Spikes for Light Engine	XA-XSLBLS60 (40-60 LEDs) External Backlight Shield
XA-BRDSPKHS Bird Spikes for Housing	XA-XIL125IP 1.25" (32mm) IP Pipe Sealing Kit

Ordering Information

Example: STR-LWY-2M-HT-02-E-UL-SV-525-IP-OPTIONS

STR-LWY	2M	HT		E				IP -
Product	Optic	Mounting	LED Count (x10)	Version	Voltage	Color Options*	Drive Current	Options
STR-LWY	2M Type II Medium	HT Horizontal Tenon	02 03 04 05 06	E	UL Universal 120-277V UH Universal 347-480V	SV Silver (Standard) BK Black BZ Bronze PB Platinum Bronze WH White	525** 525mA 700 700mA	IP IP66 Classification 40K 4000K Color Temperature - Color temperature per luminaire DIM 0-10V Dimming - Control by others - Refer to dimming spec sheet for details - Can't exceed specified drive current F Fuse - Not available with all ML options. Refer to ML spec sheet for availability with ML options - When code dictates fusing, use time delay fuse HL Hi/Low (175/350/525 Dual Circuit Input) - Refer to ML spec sheet for details - Sensor not included ML Multi-Level - Refer to ML spec sheet for details N No Quick Disconnect Harness or Leveling Bubble - Standard product features unless N option is specified PD Power Door - All connections between door and luminaire are shipped unconnected from the factory; door release spring included to open door automatically when the latches are released R NEMA Photocell Receptacle - Not available with all ML options. Refer to ML spec sheet for availability with ML options - Photocell by others - Intended for downlight applications at 0° tilt SC Door Safety Tether - Stainless steel aircraft cable UTL Utility - Includes exterior wattage label that reflects watts for the drive current selected. The ability to exceed selected drive current will be disabled



LED Count (x10)	Dimension	Measurements
02	"A"	17.5" (443mm)
03	"A"	17.5" (443mm)
04	"A"	22.0" (559mm)
05	"A"	22.0" (559mm)
06	"A"	22.0" (559mm)

† See www.cree.com/lighting/products/warranty for warranty terms.

* Light engine portion of extrusion is not painted and will remain natural aluminum regardless of color selection. ** Available on luminaires with 30-60 LEDs.



Rev. Date 03/22/2013



Product Specifications

CONSTRUCTION & MATERIALS

- Housing is all aluminum construction
- Terminal block for power input suitable for #2-#14 AWG wire
- Luminaire is designed to mount on a 2" (51mm) IP, 2.375" (60mm) O.D. horizontal tenon or 1.25" (32mm) IP, 1.66" (42mm) O.D. horizontal tenon when ordered with XA-XIL125IP accessory kit and is adjustable +/-5° to allow for luminaire leveling (two axis T-level included). Horizontal tenon must be minimum 8" (203mm) long
- Exclusive Colorfast DeltaGuard® finish features an E-Coat epoxy primer with an ultra-durable powder topcoat, providing excellent resistance to corrosion, ultraviolet degradation and abrasion. Standard is silver. Bronze, black, white, and platinum bronze are also available

ELECTRICAL SYSTEM

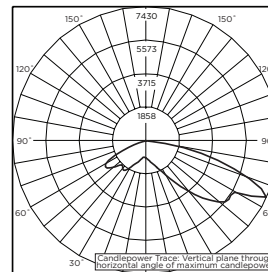
- **Input Voltage:** 120-277V or 347-480V, 50/60Hz, Class 1 drivers
- **Power Factor:** > 0.9 at full load
- **Total Harmonic Distortion:** < 20% at full load
- Quick disconnect harness suitable for mate and break under load provided on power feed to driver for ease of maintenance
- Integral 10kV surge suppression protection standard
- To address inrush current, slow blow fuse or type C/D breaker should be used

REGULATORY & VOLUNTARY QUALIFICATIONS

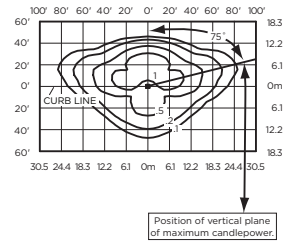
- cULus Listed
- Suitable for wet locations
- Enclosure rated IP66 per IEC 60529 when ordered without R or ML options
- Consult factory for CE Certified products
- Meets CALTrans 611 Vibration testing and GR-63-CORE Section 4.4.1/5.4.2 Earthquake Zone 4
- Certified to ANSI C136.31-2001, 3G bridge and overpass vibration standards
- 10kV surge suppression protection tested in accordance with IEEE/ANSI C62.41.2
- Luminaire and finish are endurance tested to withstand 5,000 hours of elevated ambient salt fog as defined in ASTM Standard B 117
- Product qualified on the DesignLights Consortium ("DLC") Qualified Products List ("QPL") when ordered without full backlight control shield
- RoHS Compliant
- Meets Buy American requirements within ARRA

Photometry

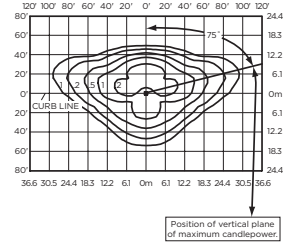
All published luminaire photometric testing performed to IESNA LM-79-08 standards by a NVLAP certified laboratory.



CESTL Test Report #: 2013-0025
STR-LWY-2M-**-06-E-UL-700-40K
Initial Delivered Lumens: 10,706



STR-LWY-2M-**-03-E-UL-700
Mounting Height: 25' (7.6m) A.F.G.
Initial Delivered Lumens: 5,753
Initial FC at grade



STR-LWY-2M-**-06-E-UL-700
Mounting Height: 25' (7.6m) A.F.G.
Initial Delivered Lumens: 11,379
Initial FC at grade

IES Files

To obtain an IES file specific to your project consult:
<http://www.cree.com/lighting/tools-and-support/exterior-ies-configuration-tool>

Lumen Output, Electrical, and Lumen Maintenance Data

Type II Medium Distribution													
LED Count (x10)	5700K		4000K		System Watts 120-277V	System Watts 347-480V	TOTAL CURRENT					50K Hours Projected Lumen Maintenance Factor @ 15° C (59° F)**	
	Initial Delivered Lumens	BUG Ratings* Per TM-15-11	Initial Delivered Lumens	BUG Ratings* Per TM-15-11			120V	208V	240V	277V	347V		480V
525mA @ 25° C (77° F)													
03	4,603	B1 U0 G1	4,432	B1 U0 G1	53	55	0.45	0.26	0.23	0.21	0.16	0.13	93%
04	6,149	B2 U0 G2	5,921	B2 U0 G2	66	71	0.56	0.33	0.29	0.26	0.21	0.16	
05	7,635	B2 U0 G2	7,352	B2 U0 G2	86	87	0.72	0.42	0.37	0.33	0.25	0.19	
06	9,104	B2 U0 G2	8,766	B2 U0 G2	100	103	0.84	0.49	0.43	0.38	0.30	0.22	
700mA @ 25° C (77° F)													
02	3,874	B1 U0 G1	3,730	B1 U0 G1	47	51	0.39	0.23	0.21	0.19	0.15	0.12	91%
03	5,753	B2 U0 G2	5,540	B2 U0 G2	70	73	0.59	0.34	0.30	0.27	0.21	0.16	
04	7,686	B2 U0 G2	7,401	B2 U0 G2	91	93	0.77	0.45	0.39	0.35	0.27	0.20	
05	9,544	B2 U0 G2	9,191	B2 U0 G2	113	115	0.96	0.55	0.48	0.43	0.33	0.25	
06	11,379	B3 U0 G3	10,958	B2 U0 G2	134	135	1.13	0.65	0.57	0.50	0.39	0.29	

* For more information on the IES BUG (Backlight-Uplight-Glare) Rating visit www.iesna.org/PDF/Erratas/TM-15-11BugRatingsAddendum.pdf.

** For recommended lumen maintenance factor data see TD-13. Calculated L_{lm} based on 10,000 hours LM-80-08 testing; > 150,000 hours in accordance with guidelines describing "successors to previously tested subcomponents" (Section 5) per Sep 9, 2011 ENERGY STAR guidelines.

See http://www.energystar.gov/ia/partners/prod_development/new_specs/downloads/luminaires/ENERGY_STAR_Final_Lumen_Maintenance_Guidance.pdf.

