

LD4R-AT-DIMELV

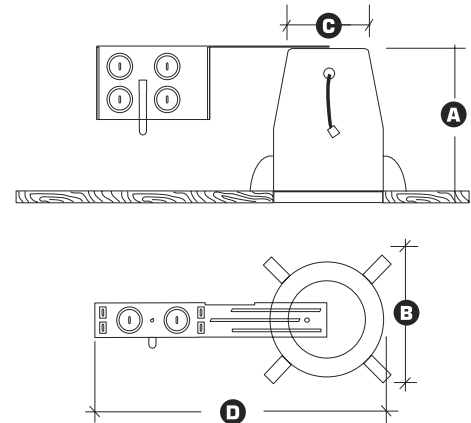
4" Remodel Housing for use with RL400 LED series Module LED lighting components



458
LUMENS

TO BE USED WITH RL400 SERIES MODULE LED LIGHTING COMPONENT

- A** Height = 5-1/2"
- B** Width = 4-1/2"
- C** Cut-out = 4-3/8"
- D** Length = 11"



DESCRIPTION - 4" Remodel housing for use with RL400 LED series Module LED trims. Designed for remodel installations and suitable for use in non-insulation covered ceilings or where insulation can be kept 3" from housing. The LD4R-AT-DIMELV housing is engineered with a unique 'EZ-connect' wiring system, that when used with the RL400 trim, with Energy Star and California Title-24 (compliances pending). The unique EZ-connect system also meets other state and national regulatory mandates. Module LED connects effortlessly to housing, virtually eliminating mis-wiring and potential shock hazards.

NOTE - Complete system includes LD4R-AT-DIMELV housing and Module LEDs RL400 series trim. RL400 Module LEDs trim must be ordered separately.

SPECIFICATION

HOUSING - High-temperature painted 22-gauge deep drawn single piece housing.

CONNECTION - Polarity-specific EZ-connect system engineered to match with Elite Module LED trims. *Meets strict code requirements where Edison Base Sockets have been banned.

INSTALLATION - Four preinstalled spring clips which secure the housing firmly into ceiling to accommodate different ceiling thicknesses from 1/2" to 1-3/8".

JUNCTION BOX - UL Listed for through-branch circuit wiring, provided with four 1/2" knockouts, one 3/4" knockout and four Romex knockouts with true pry-out slots and strain clamps. Designed for straight through conduit runs.

THERMAL PROTECTION - Standard thermal protection device guards against improper installation and misuse of insulation material.

Example: LD4R-AT-DIMELV-120

HOUSING TYPE	APPLICATION
LD4R-AT-DIMELV-120	Used For 120V Electronic Low Voltage Dimming Module
LD4R-AT-277	Step down transformer is used to reduce voltage from 277V to 120V NON-Dimming.

TRIM TYPE	458 LUMENS	COLOR	FINISH
RL430 (BAFFLE)	<input type="checkbox"/> 10W-DIMELV-120	<input type="checkbox"/> 27K <input type="checkbox"/> 30K <input type="checkbox"/> 35K	<input type="checkbox"/> W-WH <input type="checkbox"/> CP-CP <input type="checkbox"/> P-WH <input type="checkbox"/> BZ-BZ <input type="checkbox"/> SN-SN <input type="checkbox"/> P-BK
RL411 (WALL WASH BAFFLE)	<input type="checkbox"/> 10W-DIMELV-120	<input type="checkbox"/> 40K <input type="checkbox"/> 50K	
TRIM TYPE	480 LUMENS	COLOR	FINISH
RL407 (REFLECTOR)	<input type="checkbox"/> 10W-DIMELV-120	<input type="checkbox"/> 27K <input type="checkbox"/> 30K <input type="checkbox"/> 35K <input type="checkbox"/> 40K <input type="checkbox"/> 50K	<input type="checkbox"/> CL-WH <input type="checkbox"/> BZ-BZ <input type="checkbox"/> CL-CH <input type="checkbox"/> CP-WH <input type="checkbox"/> RG-WH <input type="checkbox"/> CP-CP <input type="checkbox"/> W-WH <input type="checkbox"/> SN-SN <input type="checkbox"/> SN-WH <input type="checkbox"/> MB-WH <input type="checkbox"/> RG-PB <input type="checkbox"/> MB-BK <input type="checkbox"/> CL-SN
RL422 (WALL WASH REFLECTOR)	<input type="checkbox"/> 10W-DIMELV-120		

ELITE MODULE LED SOLD SEPARATELY - Module LEDs unique 'EZ-connect' wiring system is Title 24-2008 compliant when used with the LD4R-AT housing. The unique EZ-connect system also meets other state and national regulatory mandates. System is a UL Listed disconnect system that preserves the integrity of the energy-efficient system by insuring only Elite brand trims are used. The EZ-connect system prevents installation of less efficient incandescent luminaires and LEDs.

AIR-SHUT - Provided with gasket to prevent airflow from heated or air-conditioned spaces. Meets or exceeds all national air flow requirements.

LISTING

c-UL-us / c-ETL-us - listed for Damp location
c-UL-us / c-ETL-us - listed for feed Through Wiring
LM79/LM80
Covered by U.S. Patent Number: 7717390B1

DIMMING INFORMATION

DIMELV (Electronic Low Voltage Dimming)



4" LUMEN LED MODULE



458
LUMENS

INSTALLATION



- Socket adapter removes from module, allowing installation to be quick and easy. Simply screw in the adapter and plug in the module. Turning off the entire module is not required.
- Utilizes industry standard friction blades, installs in most 4" incandescent down lights. Insert friction blades into can and press trim to ceiling.



CERTIFICATIONS

- cULus
- RoHS
- IECC
- New York state
- Made in USA
- UL/cUL Listed for Wet
- UL/cUL Listed for Damp Location
- California Title 24
- Washington state
- LM79/LM80
- ETL

UNIQUELY ENGINEERED FOR NEW AND EXISTING CONSTRUCTION

The Elite **Module LED** has been engineered for new construction where Title-24's 'No Edison Socket' mandate has been initiated. A dedicated housing installs the same as any other Elite Lighting product and features our adjustable, lockable and tiltable nail bars. The **Module LED** can also be installed into most 4-inch incandescent downlights by using our unique Edison adapter.

Over 416 usable lumens are directed from the luminaire to the work surface. Lighting is smooth and comfortable, all while using 75% less energy than the equivalent 50W BR20 and 25% less than the common 13W CFL. Plus the Elite **Module LED** features 50,000 hours life, and California Title-24 compliance.

FEATURES

Greater light output than a 13W CFL or a 50W BR20 while consuming less than 10W of power.

OPTICS

Anyone can mount a chip to a heat sink and make a down light.

Gather the light scattered by the LED chip, shape it into a functional beam with a state of the art reflector, integrate the light through a smooth reflector to minimize brightness, then top it all off with a glare reducing cone that has a 55-degree cut-off. Now you have the Elite-engineered, superior quality, **Module LED** consuming less than 10 Watts and producing over 458 lumens. Available in Baffle, Reflector & Wall Wash options.

DURABILITY

Die-cast aluminum housing and heat management system are engineered for extremely long life and service period. Without proper heat management, any LED luminaire will fail. Our die-cast system pulls the heat from the LED chip, allowing the continued cool operation for years. Life tests have shown the Elite **Module LED** light output will be maintained at 70% of initial at 50,000 hours of operation. Our superior design allows for installation in construction that requires the Elite Air-Shut™ system. Our LED driver is rated for 50 to 60 Hz at 120V input, produces less than 10% THD, has a power factor between 0.90 and 1.00 and is thermal protected for additional safety.

REPEATABLE

Repeatability means quality. From our chip selection process, to our driver, to the thermal management, the Elite LED Module is engineered for quality. All Elite LED luminaries are rated at 85+ CRI and 27K, 30K, 35K, 40K and 50K, as rated and tested to LM-79 and LM-80 standards by a certified laboratory, and meets the California Title-24 compliance standards. Our stringent chip specifications to accept only those chips that produce no ultra violet light and with very minimal infrared.

DIMMABLE

The Elite **Module LED** is dimmable down to 15% of initial light output by using an electronic low voltage dimmer. The following Lutron dimmers have been tested to be compatible with RL400 Series Modules: • MAELV-600 • DVELV-600 • RAEVLV-500L • HOME WORKS OR GRAFIK-EYE • VANTAGE LIGHTING SYSTEMS. When using any of these dimmers, all power ratings and installation instructions from dimmer manufacturer must be followed. Dimmer control must have same AC input rating as the dimmable power supply driver it connects to. Other electronic low voltage dimmers may be compatible, but have not been tested by Elite LED Lighting.

INTERCHANGEABLE

The Elite **Module LED** system works in our dedicated (LD4IC-AT, LD4-AT, LD4R-AT) housings and our existing 4" incandescent housings (or standard B4IC-AT, B4-AT and B4R-AT) but is also suitable for use in most 4-inch recessed downlight housing.

ADAPTABLE

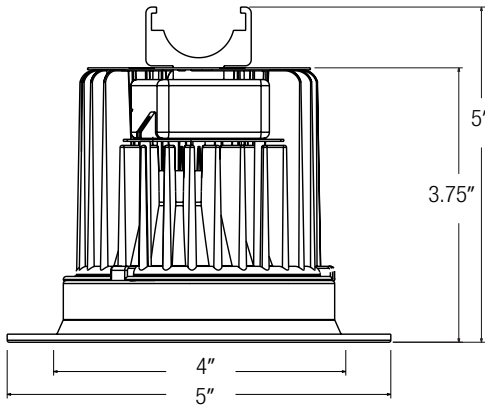
All Elite **Module LED** luminaries are shipped standard with our custom engineered Edison adapter. This adapter assembly allows the luminaries to install directly into existing Elite 4" downlight housings and most other 4-inch downlight housings.

OUR WORD

The Elite **Module LED** is warranted for 5 years of flawless operation. As a system, we stand behind the entire Elite products from housing to bar hangers. When the **Module LED** is installed in retrofit applications, only the **Module LED** itself is warranted.

RL430 10W
TOTAL LUMINAIRE EFFICACY = 45.83 LPW

DIMENSIONS



RL430-10W-120-DIM-FL-30K-W-WH

TEST NO.: **ELT-RL430-0006**

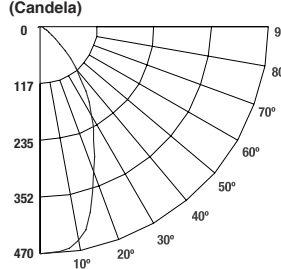
LUMENS: **458.3**

CRI: **85+**

EFFICACY: **45.83**

SPACING CRITERIA: **0.82**

Candle Power Distribution Curve (Candela)



Candela Distribution

0	470
5	467
15	397
25	262
35	162
45	72
55	21
65	6
75	1
85	0
90	0

Zonal Lumen Summary

Zone	Lumens	%Lamp	%Fixture
0-30	274.2	59.9%	59.9%
0-40	374.8	81.8%	81.8%
0-60	451.3	98.5%	98.5%
0-90	458.2	100%	100%

Distance to Plane	Initial Footcandles at Nadir	Beam Diameter
2.0'	215.05	2.1'
4.0'	53.76	4.7'
6.0'	23.89	6.3'
8.0'	13.44	8.4'
10.0'	8.60	10.5'
12.0'	5.97	12.5'

Lumens Per Zone

Zone	Lumens
0-10	44.0
10-20	109.6
20-30	120.6
30-40	100.5
40-50	56.3
50-60	20.2
60-70	5.9
70-80	1.0
80-90	0

Luminance (Average Candela/M²)

Angle In Degrees	Average 0°	Average 45°	Average 90°
45°	12753	12753	12753
55°	4606	4606	4606
65°	1702	1702	1702
75°	374	374	374
85°	0	0	0

BEAM DIA. MEASURED AT 50% OF NADIR F.C.

Example: **RL430-10W-DIMELV-120-30K-W-WH**

TYPE	458 LUMENS	COLOR	FINISH	OPTIONS
RL430 (BAFFLE)	<input type="checkbox"/> 10W-DIMELV-120	<input type="checkbox"/> 27K <input type="checkbox"/> 40K <input type="checkbox"/> 30K <input type="checkbox"/> 50K <input type="checkbox"/> 35K	<input type="checkbox"/> W-WH <input type="checkbox"/> P-WH <input type="checkbox"/> SN-SN	<input type="checkbox"/> CP-CP <input type="checkbox"/> BZ-BZ <input type="checkbox"/> P-BK <input type="checkbox"/> GU24SA- GU24 SOCKET ADAPTER

Example: **RL411-10W-DIMELV-120-30K-W-W-WH**

TYPE	365 LUMENS	COLOR	FINISH	OPTIONS
RL411 (BAFFLE WALL WASH)	<input type="checkbox"/> 10W-DIMELV-120	<input type="checkbox"/> 27K <input type="checkbox"/> 40K <input type="checkbox"/> 30K <input type="checkbox"/> 50K <input type="checkbox"/> 35K	<input type="checkbox"/> W-W-WH <input type="checkbox"/> P-W-WH <input type="checkbox"/> SN-SN-WH	<input type="checkbox"/> CP-CP-WH <input type="checkbox"/> BZ-BZ-WH <input type="checkbox"/> P-BK-WH <input type="checkbox"/> GU24SA- GU24 SOCKET ADAPTER

Example: **RL407-10W-DIMELV-120-30K-W-WH**

TYPE	480 LUMENS	COLOR	FINISH	OPTIONS
RL407 (REFLECTOR)	<input type="checkbox"/> 10W-DIMELV-120	<input type="checkbox"/> 27K <input type="checkbox"/> 40K <input type="checkbox"/> 30K <input type="checkbox"/> 50K <input type="checkbox"/> 35K	<input type="checkbox"/> CL-WH <input type="checkbox"/> W-WH <input type="checkbox"/> BZ-BZ <input type="checkbox"/> SN-SN <input type="checkbox"/> RG-WH	<input type="checkbox"/> MB-WH <input type="checkbox"/> CL-CH <input type="checkbox"/> CP-CP <input type="checkbox"/> RG-PB <input type="checkbox"/> MB-BK <input type="checkbox"/> GU24SA- GU24 SOCKET ADAPTER

Example: **RL422-10W-DIMELV-120-30K-W-W-WH**

TYPE	385 LUMENS	COLOR	FINISH	OPTIONS
RL422 (REFLECTOR WALL WASH)	<input type="checkbox"/> 10W-DIMELV-120	<input type="checkbox"/> 27K <input type="checkbox"/> 40K <input type="checkbox"/> 30K <input type="checkbox"/> 50K <input type="checkbox"/> 35K	<input type="checkbox"/> CL-W-WH <input type="checkbox"/> W-W-WH <input type="checkbox"/> BZ-BZ-WH <input type="checkbox"/> SN-SN-WH <input type="checkbox"/> RG-W-WH	<input type="checkbox"/> MB-W-WH <input type="checkbox"/> CL-CH-WH <input type="checkbox"/> CP-CP-WH <input type="checkbox"/> RG-PB-WH <input type="checkbox"/> MB-BK-WH <input type="checkbox"/> GU24SA- GU24 SOCKET ADAPTER

***RECOMMENDED DIMMERS FOR ELITE -RL430**

LUTRON DIMMERS	LUTRON CONTROL SYSTEM	LEVITON DIMMERS
DIM ELECTRONIC LOW VOLTAGE	DIM ELECTRONIC LOW VOLTAGE	DIM ELECTRONIC LOW VOLTAGE
NovaT NTELV-600 Diva DVELV-300P Skylark SELV-300P	PHPM-PA ELV1-1000	IlumaTech IPE04

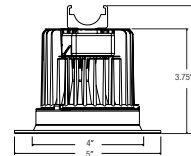
Ordering Guide for Compatible Housing

RL430-10W-DIMELV	Page
HLD4-AT-DIMELV-120	154
HLD4-AT277	154
HLD4IC-AT-DIMELV-120	155
HLD4IC-AT-277	155
HLD4R-AT-DIMELV-120	156
HLD4R-AT-277 (NON-DIMMING)	156

BAFFLE

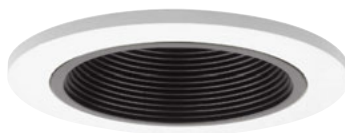
RL430- **A** - **B** - **C**

(A) WATTAGE	(B) VOLTAGE/DRIVER	(C) COLOR TEMP
<input type="checkbox"/> 10W	<input type="checkbox"/> DIMELV-120	<input type="checkbox"/> 27K <input type="checkbox"/> 30K <input type="checkbox"/> 35K <input type="checkbox"/> 40K <input type="checkbox"/> 50K
LED (Retrofit) Die-cast Aluminum Lensed Stepped Baffle with Trim Ring		
See ordering chart for compatible housing		



RL430- **A** - **B** - **C** -W-WH
(WATTAGE) (VOLTAGE/DRIVER) (COLOR TEMP)

Photometric Multiplier 1.0



RL430- **A** - **B** - **C** -P-WH
(WATTAGE) (VOLTAGE/DRIVER) (COLOR TEMP)

Photometric Multiplier .75



RL430- **A** - **B** - **C** -SN-SN
(WATTAGE) (VOLTAGE/DRIVER) (COLOR TEMP)

Photometric Multiplier .92



RL430- **A** - **B** - **C** -CP-CP
(WATTAGE) (VOLTAGE/DRIVER) (COLOR TEMP)

Photometric Multiplier .87



RL430- **A** - **B** - **C** -P-BK
(WATTAGE) (VOLTAGE/DRIVER) (COLOR TEMP)

Photometric Multiplier .75



RL430- **A** - **B** - **C** -BZ-BZ
(WATTAGE) (VOLTAGE/DRIVER) (COLOR TEMP)

Photometric Multiplier .85

BAFFLE WALL WASH



RL411- **A** - **B** - **C** - **D**

(A) WATTAGE	(B) VOLTAGE/DRIVER	(C) COLOR TEMP	(D) FINISH
<input type="checkbox"/> 10W	<input type="checkbox"/> DIMELV-120	<input type="checkbox"/> 27K <input type="checkbox"/> 30K <input type="checkbox"/> 35K <input type="checkbox"/> 40K <input type="checkbox"/> 50K	<input type="checkbox"/> W-W-WH <input type="checkbox"/> CP-CP-WH <input type="checkbox"/> P-W-WH <input type="checkbox"/> BZ-BZ-WH <input type="checkbox"/> SN-SN-WH <input type="checkbox"/> P-BK-WH

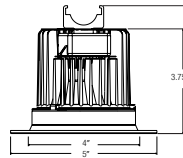
LED (Retrofit) Die-cast Aluminum Lensed Stepped Baffle Wall Wash with Trim Ring

See ordering chart for compatible housing

REFLECTOR

RL407- **A** - **B** - **C**

(A) WATTAGE	(B) VOLTAGE/DRIVER	(C) COLOR TEMP
<input type="checkbox"/> 10W	<input type="checkbox"/> DIMELV-120	<input type="checkbox"/> 27K <input type="checkbox"/> 30K <input type="checkbox"/> 35K <input type="checkbox"/> 40K <input type="checkbox"/> 50K
LED (Retrofit) Die-cast Aluminum Lensed Stepped Reflector with Trim Ring		
See ordering chart for compatible housing		



RL407- **A** - **B** - **C** -MB-WH

(WATTAGE) (VOLTAGE/DRIVER) (COLOR TEMP)

Photometric Multiplier .77



RL407- **A** - **B** - **C** -CL-WH

(WATTAGE) (VOLTAGE/DRIVER) (COLOR TEMP)

Photometric Multiplier 1.0



RL407- **A** - **B** - **C** -BZ-BZ

(WATTAGE) (VOLTAGE/DRIVER) (COLOR TEMP)

Photometric Multiplier .87



RL407- **A** - **B** - **C** -MB-BK

(WATTAGE) (VOLTAGE/DRIVER) (COLOR TEMP)

Photometric Multiplier .87



RL407- **A** - **B** - **C** -CL-CH

(WATTAGE) (VOLTAGE/DRIVER) (COLOR TEMP)

Photometric Multiplier 1.0



RL407- **A** - **B** - **C** -CP-CP

(WATTAGE) (VOLTAGE/DRIVER) (COLOR TEMP)

Photometric Multiplier .90



RL407- **A** - **B** - **C** -SN-SN

(WATTAGE) (VOLTAGE/DRIVER) (COLOR TEMP)

Photometric Multiplier .87



RL407- **A** - **B** - **C** -W-WH

(WATTAGE) (VOLTAGE/DRIVER) (COLOR TEMP)

Photometric Multiplier .95



RL407- **A** - **B** - **C** -RG-PB

(WATTAGE) (VOLTAGE/DRIVER) (COLOR TEMP)

Photometric Multiplier .90



RL407- **A** - **B** - **C** -RG-WH

(WATTAGE) (VOLTAGE/DRIVER) (COLOR TEMP)

Photometric Multiplier .90

REFLECTOR WALL WASH



RL422- **A** - **B** - **C** - **D**

(A) WATTAGE	(B) VOLTAGE/DRIVER	(C) COLOR TEMP	(D) FINISH
<input type="checkbox"/> 10W	<input type="checkbox"/> DIMELV-120	<input type="checkbox"/> 27K <input type="checkbox"/> 30K <input type="checkbox"/> 35K <input type="checkbox"/> 40K <input type="checkbox"/> 50K	<input type="checkbox"/> CL-W-WH <input type="checkbox"/> W-W-WH <input type="checkbox"/> BZ-BZ-WH <input type="checkbox"/> SN-SN-WH <input type="checkbox"/> RG-W-WH <input type="checkbox"/> MB-W-WH <input type="checkbox"/> CL-CH-WH <input type="checkbox"/> CP-CP-WH <input type="checkbox"/> RG-PB-WH <input type="checkbox"/> MB-BK-WH

LED (Retrofit) Die-cast Aluminum Lensed Stepped Reflector Wall Wash with Trim Ring

See ordering chart for compatible housing