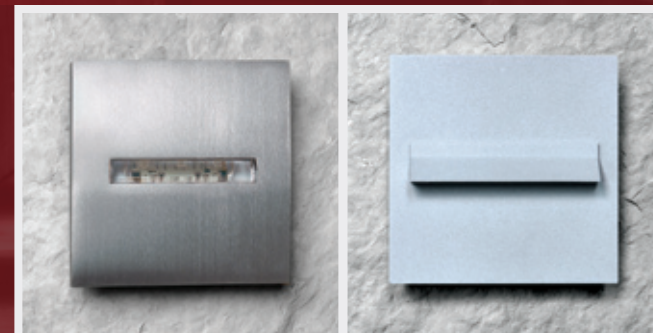


LED STEP LIGHT

Pathway light that requires only 8 watts of power yet delivers code required light levels.

plane

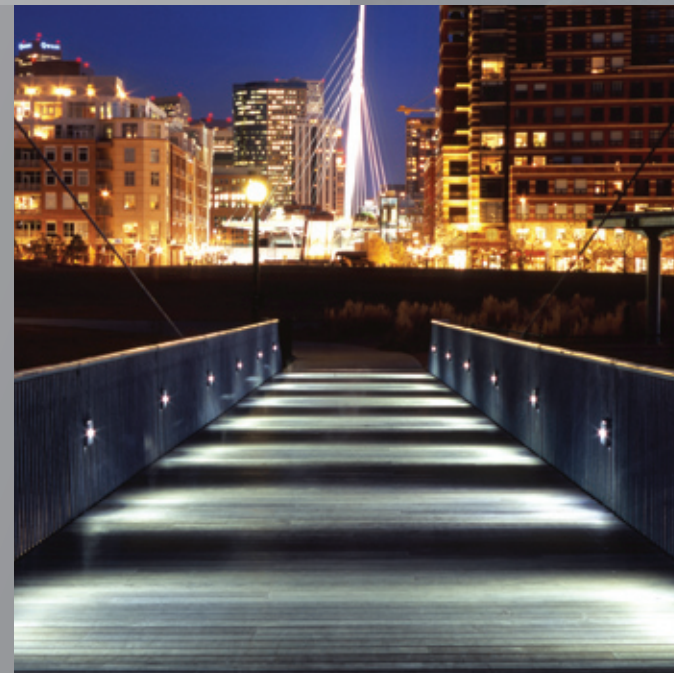


step light

LED STEP LIGHT APPLICATIONS



Florida Football Complex
 Designer: RDG Planning & Design
 Photographer: Kun Zhang



Platt River Bridge
 Designer: Nancy Clanton Lighting Design
 Photographer: Craig Spring



Massachusetts Institute of Technology
 Designer: Sladen Feinstein Integrated Lighting
 Photographer: Peter Vanderwarker

Florida Football Complex
Designer: RDG Planning & Design
Photographer: Kun Zhang



plane

Massachusetts Institute of Technology
Designer: Sladen Feinstein Integrated Lighting
Photographer: Peter Vanderwarker

Florida Football Complex
Designer: RDG Planning & Design
Photographer: Kun Zhang



Massachusetts Institute of Technology
Designer: Sladen Feinstein Integrated Lighting
Photographer: Peter Vanderwarker

Platt River Bridge
Designer: Nancy Clayton Lighting Design
Photographer: Craig Spring

Florida Football Complex
Designer: RDG Planning & Design
Photographer: Kun Zhang

Florida Football Complex
Designer: RDG Planning & Design
Photographer: David Raver



plane

STEP LIGHT



Application

The **plane** step light is an LED-based luminaire that offers a variety of different color combinations for edge glow accents and functional pathway lighting. For use in exterior and interior architectural applications. **plane** mounts directly to a recessed junction box for wall mount applications. UL listed for wet / damp locations.

Light Output

plane delivers illuminance levels that exceed the National Electrical Codes (NEC) requirement for emergency egress. Recommended mounting 18" to 24" A.G. IES format photometric data available at www.iolighting.com.

Construction

Environmentally sealed, enclosed and gasketed 5.9" sq. corrosion resistant metal casting (stainless steel optional). Mounts directly to a UV stable, optically clear, high strength polycarbonate housing. LED luminaire modules contained within the housing are replaceable.

Mounting Options

plane mounts directly to a junction box while the driver (power supply) resides within the junction box. Three types of junction box configurations are compatible with **plane**:

- 1) 1½" deep, 4" octagonal junction box. Hanger bars must be side mounted.
- 2) 2½" deep, 4" octagonal junction box with side mounted hanger bars.
- 3) 2½" deep, 4" square junction box with plaster ring.

Electrical

120v or 277v energy saving current limiting Class 2 power supply (driver) must be located within a 1½" or 2½" deep, 4" square junction box with plaster ring.

LED Magnetic Driver Specifications

Input voltage: 120v or 277v
 Output Load: 8 watts including center and perimeter LEDs
 Operating Temperature: -20°F + 140°F
 of the Luminaire: -30°C + 60°C
 UL Class: 2
 Surface Temperature: 25°C
 Expected Life: 50,000 hours

Power Consumption

Standard Output: 8 w

Step Optic

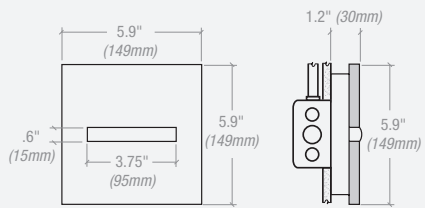
Precision molded polycarbonate lens with superior optical properties offers a 90° cut-off with 70% fixture efficiency. Full cut-off visor option is available. Visor option meets IDA Dark Sky requirements.

Finish

Metal die-cast face plate may be polyester powder coated or plated. Plated finishes are for interior applications only. Face plate may also be specified in stainless steel.



Dimensions



io plane step light

lighting facts^{CM}

A Program of the U.S. DOE

Light Output (Lumens)	93
Watts	7.5
Lumens per Watt (Efficacy)	12
Color Accuracy <small>Color Rendering Index (CRI)</small>	71

Light Color
Correlated Color Temperature (CCT)

3016 (Bright White)

All results are according to IESNA LM-79-2008: Approved Method for the Electrical and Photometric Testing of Solid-State Lighting. The U.S. Department of Energy (DOE) verifies product test data and results.

Visit www.lightingfacts.com for the Label Reference Guide.

Registration Number: 6PRA-M7ZSV
 Model Number: 0.01.SL.3K.N.100.1
 Type: Outdoor step lights

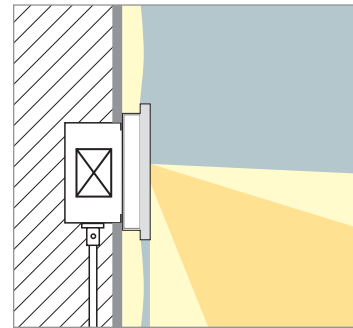
Label references **plane** step light in 3000K with no perimeter LEDs.

Color Options

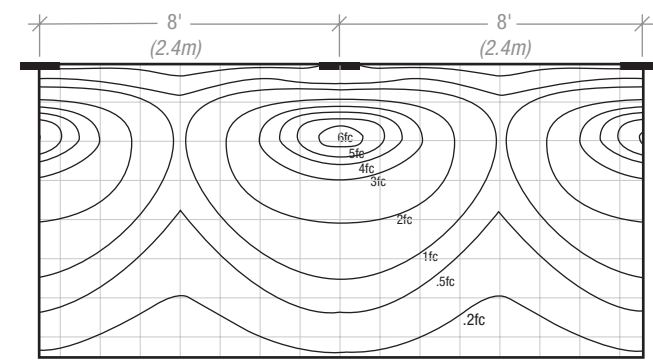


Note: Any combination of Red, Green, Blue, Amber, 3000K White, and 5000K White may be specified for the center and perimeter accent.

Light Details



ISO FOOTCANDLE CHART

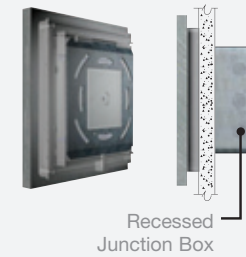


Note: Illuminance levels based on 24" mounting height above grade.

plane's step light optic has been designed to focus the luminous flux down onto a pathway keeping almost all light below 90°. **plane** may be spaced up to 8'-0" O.C. delivering footcandles that exceed the National Electrical Code's (NEC) requirement for emergency egress (1 FC AVE.). IES Format photometric data available on the **io** website.

MOUNTING OPTIONS

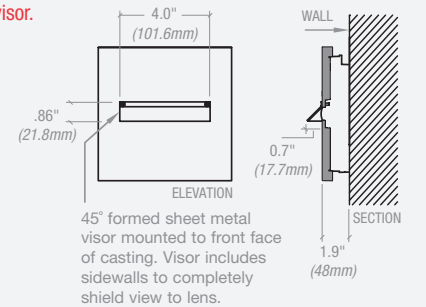
- Metal Die-Casting
- Clear Polycarbonate Backplate
- Universal Steel Mounting Bracket



VISOR OPTION Dark Sky compliancy requires visor.



Note: A visor may be specified for full visual cut-off.



45° formed sheet metal visor mounted to front face of casting. Visor includes sidewalls to completely shield view to lens.

0	01	SL							
io	1	2	3	4	5	6	7	8	

Order Code

- | | | | |
|---|---|---|--|
| <p>1. PRODUCT FAMILY</p> <p>01 Plane</p> <p>2. TYPE</p> <p>SL Step light</p> <p>3. CENTER COLOR</p> <p>3K Warm White
 5K Cool White
 R Red
 G Green
 B Blue
 A Amber</p> | <p>4. PERIMETER COLOR</p> <p>3K Warm White
 5K Cool White
 G Green
 B Blue
 A Amber
 N None</p> <p>5. MOUNTING</p> <p>100 J-Box
 999 Custom</p> | <p>6. FINISH</p> <p>METAL CASTING (POWDER COATED)</p> <p>1 Black
 2 Bronze
 3 Satin Aluminum
 4 White</p> <p>METAL CASTING (PLATED)</p> <p>INTERIOR APPLICATIONS ONLY</p> <p>5 Satin Nickel
 6 Chrome
 7 Satin Brass</p> <p>STAINLESS STEEL</p> <p>8 Brushed</p> <p>CUSTOM COLOR</p> <p>9 Custom</p> | <p>7. VOLTAGE</p> <p>0 120v
 1 277v</p> <p><i>Note: Consult factory for custom voltage options. Dimming not available.</i></p> <p>8. SHIELDING</p> <p>V Visor ⁽¹⁾</p> <p><i>Note: Leave blank if visor is not required.</i></p> |
|---|---|---|--|

Footnotes

1. Visor only available in powder coated finishes.

For Metric Conversion		
1"	1"	1'
25.4mm	2.54cm	0.3m

