

SEC-EDG-3M/3MB-WM

Cree Edge™ Security Wall Pack Luminaire – Type III Medium – Wall Mount

Product Description

Slim, low profile design. Luminaire end cap is rugged die cast aluminum with integral, weathertight LED driver compartments and high performance aluminum heat sinks specifically designed for LED applications. Housing is rugged aluminum. Furnished with low copper lightweight mounting box designed for installation over standard and mud ring single gang J-Boxes. Secures to wall with four 3/16" (5mm) screws (by others). Conduit entry from top, bottom, sides and rear. Allows mounting for uplight or downlight. Designed and approved for easy through-wiring. Includes leaf / debris guard.

Performance Summary

Utilizes BetaLED® Technology

Patented NanoOptic® Product Technology

Made in the U.S.A. of U.S. and imported parts

CRI: Minimum 70 CRI

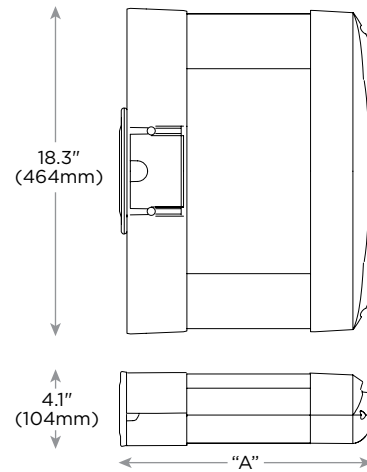
CCT: 5700K (+ / - 500K) Standard, 4000K (+ / - 300K)

Limited Warranty*: 10 years on luminaire / 10 years on Colorfast DeltaGuard® finish

Accessories

Field Installed Accessories

XA-BRDSPK
Bird Spikes



LED Count (x10)	Dim. "A"
02	9.9" (251mm)
04	11.9" (303mm)
06	13.9" (353mm)
08	15.9" (404mm)
10	17.9" (455mm)
12	19.9" (505mm)

Ordering Information

Example: SEC-EDG-3M-WM-02-E-UL-SV-350-OPTIONS

SEC-EDG	WM	E						
Product	Optic	Mounting	LED Count (x10)	Series	Voltage	Color Options	Drive Current	Options
SEC-EDG	3M Type III Medium 3MB Type III Medium w/BLS	WM Wall	02 04 06 08 10 12	E	UL Universal 120-277V UH Universal 347-480V 34 347V	SV Silver (Standard) BK Black BZ Bronze PB Platinum Bronze WH White	350 350mA 525* 525mA 700** 700mA	40K 4000K Color Temperature - Color temperature per luminaire DIM 0-10V Dimming - Control by others - Refer to dimming spec sheet for details - Can't exceed specified drive current F Fuse - Not available with UH or 34 voltages - Not available with all ML options. Refer to ML spec sheet for availability with ML options P Photocell - Not available with all ML options. Refer to ML spec sheet for availability with ML options - Must specify voltage other than UH ML Multi-Level - Refer to ML spec sheet for details

* See www.cree.com/lighting/products/warranty for warranty terms

* Available on luminaires with 20-80 LEDs

** Available on luminaires with 20-60 LEDs



Rev. Date: 12/20/13



Product Specifications

CONSTRUCTION & MATERIALS

- Slim, low profile design
- Luminaire sides are rugged die cast aluminum with integral, weathertight LED driver compartments and high performance aluminum heat sinks specifically designed for LED applications
- Housing is rugged aluminum
- Furnished with low copper, light weight mounting box designed for installation over standard and mud ring single gang J-Boxes
- Luminaire can also be direct mounted to a wall and surface wired
- Secures to wall with four 3/16" (5mm) screws (by others)
- Conduit entry from top, bottom, sides, and rear
- Allows mounting for uplight or downlight
- Designed and approved for easy through-wiring
- Includes leaf / debris guard
- Exclusive Colorfast DeltaGuard® finish features an E-Coat epoxy primer with an ultra-durable powder topcoat, providing excellent resistance to corrosion, ultraviolet degradation and abrasion. Standard is silver. Bronze, black, white, and platinum bronze are also available

ELECTRICAL SYSTEM

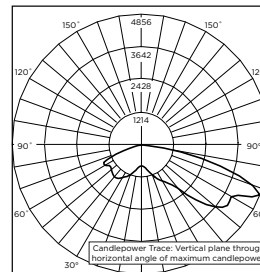
- **Input Voltage:** 120-277V or 347-480V, 50 / 60Hz, Class 1 drivers
- **Power Factor:** > 0.9 at full load
- **Total Harmonic Distortion:** < 20% at full load
- Integral weathertight J-Box with leads (wire nuts) for easy power hook up
- Integral 10kV surge suppression protection standard
- To address inrush current, slow blow fuse or type C / D breaker should be used

REGULATORY & VOLUNTARY QUALIFICATIONS

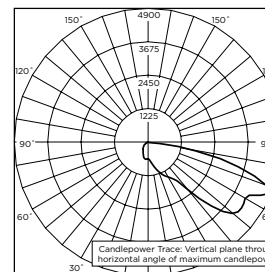
- cULus Listed
- Suitable for wet locations
- Enclosure rated IP66 per IEC 60529 when ordered without P or ML options
- Consult factory for CE Certified products
- 10kV surge suppression protection tested in accordance with IEEE / ANSI C62.412
- Luminaire and finish endurance tested to withstand 5,000 hours of elevated ambient salt fog conditions as defined in ASTM Standard B 117
- Product qualified on the DesignLights Consortium™ ("DLC") Qualified Products List ("QPL") when ordered without full backlight control shield
- Dark Sky Friendly, IDA Approved
- Meets Buy American requirements within ARRA

Photometry

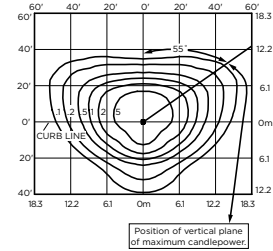
All published luminaire photometric testing performed to IESNA LM-79-08 standards by a NVLAP certified laboratory.



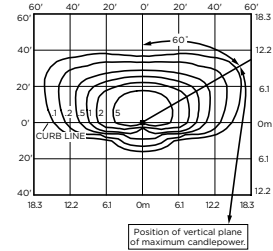
ITL Test Report #: 79173
SEC-EDG-3M-**-06-E-UL-700-40K
Initial Delivered Lumens: 10,343



CSA Test Report #: 6648
ARE-EDG-3MB-**-06-E-UL-700
Initial Delivered Lumens: 7,740



SEC-EDG-3M--08-E-UL-525-40K**
Mounting Height: 10' (3.0m) A.F.G.
Initial Delivered Lumens: 11,220
Initial FC at grade



SEC-EDG-3MB--08-E-UL-525-40K**
Mounting Height: 10' (3.0m) A.F.G.
Initial Delivered Lumens: 8,300
Initial FC at grade

IES Files

To obtain an IES file specific to your project consult:
<http://www.cree.com/lighting/tools-and-support/exterior-ies-configuration-tool>

Weight

LED Count (x10)	Weight
02	20 lbs (9.1kg)
04	22 lbs (10.0kg)
06	25 lbs (11.3kg)
08	27 lbs (12.2kg)
10	31 lbs (14.1kg)
12	32 lbs (14.5kg)

Lumen Output, Electrical, and Lumen Maintenance Data

Type III Medium and Type III Medium Distribution w/ BLS																
LED Count (x10)	5700K				4000K				System Watts 120-480V	TOTAL CURRENT						50K Hours Projected Lumen Maintenance Factor @ 15° C (59° F)**
	Initial Delivered Lumens*	BUG Ratings** Per TM-15-11	Initial Delivered Lumens w/ BLS*	BUG Ratings** Per TM-15-11	Initial Delivered Lumens*	BUG Ratings** Per TM-15-11	Initial Delivered Lumens w/ BLS*	BUG Ratings** Per TM-15-11		120V	208V	240V	277V	347V	480V	
350mA @ 25° C (77° F)																
02	2,105	B1 U0 G1	1,557	B1 U0 G1	2,027	B1 U0 G1	1,499	B1 U0 G1	25	0.21	0.13	0.11	0.10	0.08	0.07	93%
04	4,209	B1 U0 G1	3,114	B1 U0 G1	4,054	B1 U0 G1	2,999	B1 U0 G1	46	0.36	0.23	0.21	0.20	0.15	0.12	
06	6,242	B2 U0 G2	4,617	B1 U0 G1	6,011	B2 U0 G2	4,446	B1 U0 G1	66	0.52	0.31	0.28	0.26	0.20	0.15	
08	8,323	B2 U0 G2	6,157	B1 U0 G2	8,015	B2 U0 G2	5,929	B1 U0 G2	90	0.75	0.44	0.38	0.34	0.26	0.20	
10	10,379	B3 U0 G3	7,677	B1 U0 G2	9,994	B3 U0 G3	7,393	B1 U0 G2	110	0.92	0.53	0.47	0.41	0.32	0.24	
12	12,454	B3 U0 G3	9,213	B1 U0 G2	11,993	B3 U0 G3	8,872	B1 U0 G2	130	1.10	0.63	0.55	0.48	0.38	0.28	
525mA @ 25° C (77° F)																
02	2,947	B1 U0 G1	2,180	B1 U0 G1	2,837	B1 U0 G1	2,099	B1 U0 G1	37	0.30	0.19	0.17	0.16	0.12	0.10	92%
04	5,893	B2 U0 G2	4,359	B1 U0 G1	5,675	B2 U0 G2	4,198	B1 U0 G1	70	0.58	0.34	0.31	0.28	0.21	0.16	
06	8,739	B2 U0 G2	6,464	B1 U0 G2	8,415	B2 U0 G2	6,225	B1 U0 G2	101	0.84	0.49	0.43	0.38	0.30	0.22	
08	11,652	B3 U0 G3	8,619	B1 U0 G2	11,220	B3 U0 G3	8,300	B1 U0 G2	133	1.13	0.66	0.58	0.51	0.39	0.28	
700mA @ 25° C (77° F)																
02	3,599	B1-U0-G1	2,662	B1 U0 G1	3,466	B1 U0 G1	2,564	B1 U0 G1	50	0.41	0.25	0.22	0.20	0.15	0.12	90%
04	7,198	B2-U0-G2	5,325	B1 U0 G2	6,932	B2 U0 G2	5,127	B1 U0 G2	93	0.78	0.46	0.40	0.36	0.27	0.20	
06	10,674	B3-U0-G3	7,896	B1 U0 G2	10,279	B3 U0 G3	7,603	B1 U0 G2	134	1.14	0.65	0.57	0.50	0.39	0.29	

* Actual production yield may vary between -4 and +10% of initial delivered lumens
 ** For more information on the IES BUG (Backlight-Uplight-Glare) Rating visit www.iesna.org/PDF/Erratas/TM-15-11BugRatingsAddendum.pdf
 *** For recommended lumen maintenance factor data see TD-13. Calculated L₇₀ based on 6,000 hours LM-80-08 testing; > 100,000 hours

