

LED LINEAR STRIP LIGHT (LSL2)

APPLICATIONS - Shelf Lighting, Cove Lighting, Accent Lighting, Under Cabinet Lighting and Handrail Lighting; Interior or Exterior.

PRODUCT HIGHLIGHTS

- **Up-Close Illumination** - Closely spaced LEDs uniformly illuminate items positioned close to the strip, allowing shelves to be spaced closer together.
- **Aimable** - Fixture adjusts from 0° to +/- 90° to put the light where you want it.
- **“Green” Energy-Saving** - Reduces greenhouse gas emissions, and eliminates costly lamp disposal involving mercury waste.
- **Long Lasting Sparkle** - LED light beam contains no heat, and no UV, which means degradation in color or quality of the product under display is minimized.
- **Dramatically Lower Maintenance Costs** - 60,000+ hour LED source extends life 3 to 5 times as compared to conventional fluorescent.
- **Easy Installation, New or Retrofit** - Mounts with available brackets or customer adhesive. Lightweight (< 0.25 lb. per foot).
- **Separate Power Supply** - Fixtures are easily connected to a universal voltage power supply (ordered separately).

LEDS - Select high-brightness LEDs. Expected life: minimum 60,000 hours to 100,000 hours depending upon the ambient temperature of the installation location. See LSI web site for specific guidance. Available in 3500K, 4000K and 5000K color temperature (nominal).

DRIVER - State-of-the-art driver technology designed specifically for the application is integrated on-board, providing unsurpassed system efficiency. Complies with IEC and FCC standards.

ELECTRICAL - Fixtures operate on intrinsically-safe 24 VDC, which means no risk to customers or associates. Separate power supplies operate on 120-277 VAC, 50/60 Hz. See accessory page.

BEAM SPREAD - 120° symmetrical distribution.

LIGHT OUTPUT - Input power is 3 watts per foot. Cool White (CW) lumens per foot is 180. Neutral White (NW) and Warm White (WW) lumens per foot is 150.

LENS - Optional clear lens available.

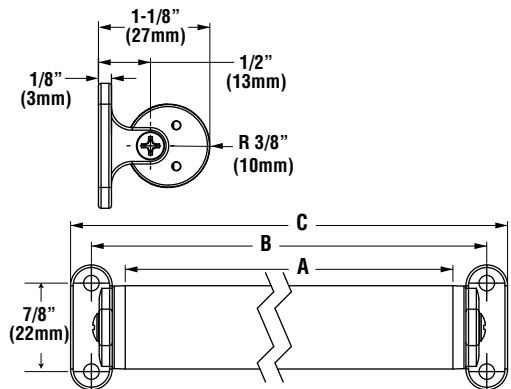
HOUSINGS - Anodized aluminum extrusion

WIRING - Feed wires on both ends make it simple to create continuous lines of LED lighting. Fixtures can be connected either directly together or spaced up to 4' apart with provided feed wires. Use appropriately sized 2-conductor cable (not supplied) to minimize voltage drop on long feeds for power.

OPERATING TEMPERATURE - -40°C to +50°C (-40°F to +122°F).

WARRANTY - LSI LED fixtures carry a limited 5-year warranty.

LISTING - Listed to U.S. and Canadian safety standards for wet locations.



Catalog#	A	B	C
LSL2 12	11.125 (282mm)	11.75 (295mm)	12.188 (305 mm)
LSL2 18	17.125 (434mm)	17.75 (447 mm)	18.188 (457 mm)
LSL2 24	23.125 (587mm)	23.75 (600 mm)	24.188 (610 mm)
LSL2 30	29.125 (739 mm)	29.75 (752 mm)	30.188 (762 mm)
LSL2 36	35.125 (892 mm)	35.75 (904 mm)	36.188 (914 mm)
LSL2 48	47.125 (1196 mm)	47.75 (1209 mm)	48.188 (1219 mm)

This product, or selected versions of this product, meet the standards listed below. Please consult factory for your specific requirements.



Suitable for wet locations

LUMINAIRE ORDERING INFORMATION

TYPICAL ORDER EXAMPLE: **LSL2 48 LED CW 24**

Prefix	Length	Light Source	Color Temperature	Input Voltage	Options
LSL2	12 - 12" 18 - 18" 24 - 24"	30 - 30" 36 - 36" 48 - 48"	LED	CW - Cool NW - Neutral WW - Warm White	24 - 24 VDC CL - Clear Lens

Note: Power supply is required, please see LED Linear Accessories page.