

LightBAR™ TECHNOLOGY

ENERGY SAVINGS + ENVIRONMENTAL STEWARDSHIP

The simplest and most effective way to reduce a lighting fixture's impact on the environment is to minimize its energy consumption. By incorporating Cooper Lighting's patented LED LightBAR™ technology, Valet LED provides energy savings between 30-75% over standard HID sources.

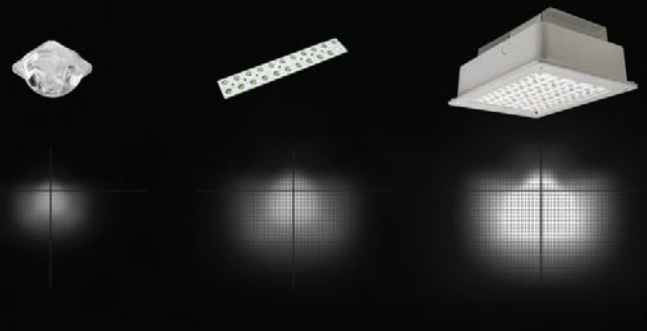
LONG LIFE

With a 50,000+ hour rated life at 70% lumen maintenance, Valet LED operates six [6] times longer than traditional Metal Halide solutions.



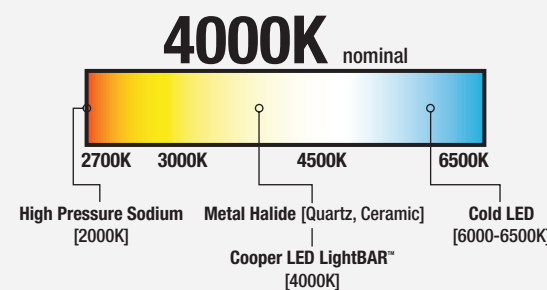
PATENTS PENDING

SCALABLE ILLUMINATION



Each patented LED LightBAR™ optic renders the entirety of the pattern. As the number of LightBARs™ increases so too the application illuminance, allowing lumen and energy output to be scaled and optimized per application. Obtrusive glare and spill light is replaced by uniform, application specific illumination.

WARM WHITE COLOR



Lighting Designers, Architects and Specifying Engineers have long preferred light sources which provide a balanced spectral power distribution and warm white light. Typical LED solutions standardize on a cold blue 6000-6500K correlated color temperature [CCT] to maximize lumen output. Valet LED provides warm white light at a standard 4000K CCT with no sacrifice in lumen output.

AccuLED Optics™



SUPERIOR EFFICIENCY + CONTROL

With efficiencies as high as 95%, patented AccuLED Optics™ are as much as 30% more efficient than traditional HID optical systems. Available in eight [8] beam distributions, AccuLED Optics™ provide the flexibility and performance required for any outdoor application.

VALET LED

ORDERING INFORMATION

SAMPLE NUMBER: VPL-B02-LED-E1-SQ-AP

PRODUCT FAMILY	NUMBER OF LIGHTBARS ^{1,2}	LAMP TYPE	VOLTAGE	DISTRIBUTION	COLORS	OPTIONS + ACCESSORIES
VPL=Valet	B01=[1] 21 LED LightBAR ³	LED=Solid State Light Emitting Diodes	E1=Electronic [120-277V]	CQ=Concentrated Type V Square	AP=Grey	
Parking	B02=[2] 21 LED LightBARs		347=347V	SQ=Type V Square	BZ=Bronze	[see below]
Garage	B03=[3] 21 LED LightBARs		480=480V	WQ=Wide Type V Square	BK=Black	
	B04=[4] 21 LED LightBARs			GL2=Type II w/Glare Control	DP=Dark	
	C01=[1] 7 LED LightBAR ³			GL3=Type III w/Glare Control	Platinum	
	C02=[2] 7 LED LightBARs			GL4=Type IV w/Glare Control	GM=Graphite	
	C03=[3] 7 LED LightBARs			CFP=90° Forward Throw Perimeter	Metallic	
	C04=[4] 7 LED LightBARs			RW=Rectangular Wide	WH=White	

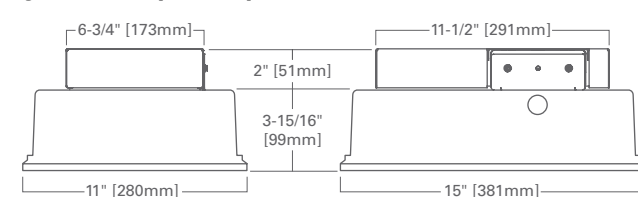
OPTIONS + ACCESSORIES [Must be listed in the order shown and separated by a dash]

OPTIONS ⁴	ACCESSORIES ¹³
ZL=Bi-Level Switching Capable ⁵	MA1253=10kV Circuit Module Replacement
WM=Wall Mount	
HA=50°C High Ambient Temperature Rating ⁶	
R90=Optics Rotated 90° Left	
R90=Optics Rotated 90° Right	
TR=Tamper Resistant Fasteners	
TMB=Trunnion Mount w/Connection Box (some assembly required)	
PBG=Pendant Box/Bird Guard ⁷	
SM=Surface Mount ⁸	
7060=70 CRI / 6000K CCT ⁹	
8030=80 CRI / 3000K CCT ⁹	
LCF=LightBAR Cover Plate Matches Housing Finish	
ICP=Integral Cold Weather Battery Pack [specify 120 or 277V] ^{10,11}	
OSX=Integral Occupancy Sensor ¹²	

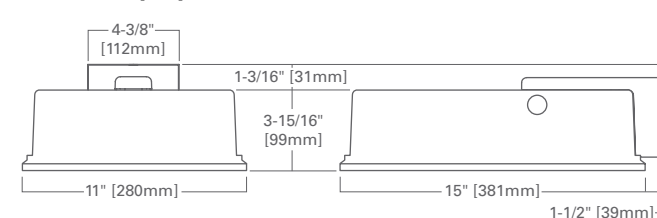
NOTE: 1 Standard 4000K CCT nominal 70 CRI. 2 21 LED LightBAR powered at 350mA, 7 LED LightBAR powered at 1A. 3 Not available w/ ZL Bi-level switching option. 4 Add as suffix. 5 Available in models with B02 or C02, B03 or C03, and B04 or C04. Low-Level output varies by bar count specified. Consult Factory. 6 Not available in models with B04 or C04. 7 Adjustable to accept a rigid or free-swinging pendant configuration. 8 Surface mount configuration limited to 25°C ambient conditions. 9 Consult Factory for lead times and lumen multiplier. 10 Available with B01 and C01 configurations only. Rated for 25°C ambient operating temperature. 11 Must specify voltage. 12 Housed in external box mounted to the luminaire. Available in 802-804 configurations. Replace X with number of BARS (i.e., OS2). Default time delay setting is 15 minutes. Standard lens covers up to 12" mounting height, 360° and maximum 20" diameter. For other configurations, consult Customer Service. 13 Order separately. 14 Specifications and dimensions subject to change without notice.

DIMENSIONS

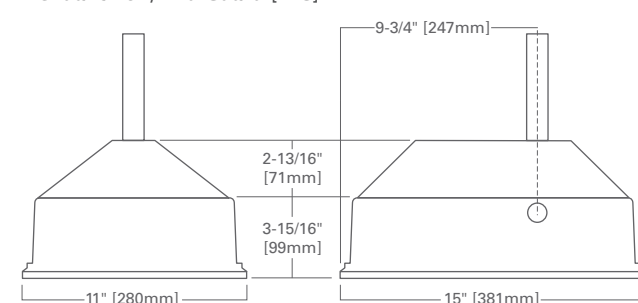
J-Box Mount [Standard]



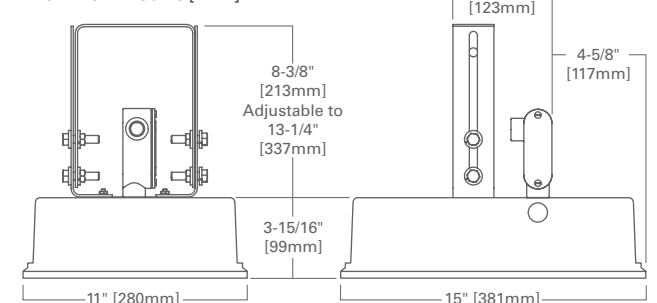
Wall Mount [WM]



Pendant Box/Bird Guard [PBG]



Trunnion Mount [TMB]



CERTIFICATIONS

UL and cUL Listed
ISO 9001
IP66 LightBARs
ARRA Compliant

ENERGY DATA

Electronic LED Driver
>0.9 Power Factor
<20% Total Harmonic Distortion
120-277V/50 & 60Hz, 347V/60Hz, 480V/60Hz
40°C Ambient Temperature Rating
-30°C Minimum Temperature

AMBIENT DATA

Ambient Temperature	Lumen Multiplier
10°C	1.04
15°C	1.03
25°C	1.00
40°C	0.96
50°C	0.92

SHIPPING DATA

Approximate Net Weight
4 Bars 16 [8 kgs.]



25% PCRf

Cooper Lighting, McGraw-Edison, Valet, SustainableDesign, LightBARs and AccuLED Optics are valuable trademarks of Cooper Industries in the United States and other countries. You are not permitted to use the Cooper Trademarks without the prior written consent of Cooper Industries.

Cooper Lighting, LLC
1121 Hwy 74 South
Peachtree City, Georgia 30269
P: 770-486-4800
www.cooperlighting.com

ADH111440

Printed in USA

COOPER Lighting

McGraw-Edison



Sustainable Design

Valet LED
Parking Garage Luminaire

COOPER Lighting

INNOVATION CENTER



INNOVATION IN ACTION



BEST-IN-CLASS DESIGN + RELIABILITY



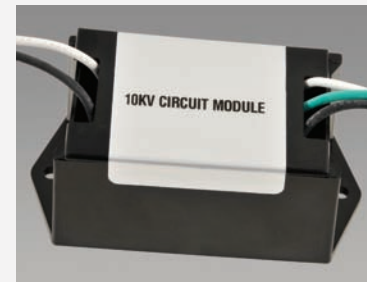
The Cooper name has stood for innovation, service and expertise for over 175 years. Today, Cooper Lighting's LED Innovation Center is home to the design, validation and manufacturing of proprietary LED technologies. Through changing times and technologies, Cooper answers the call to provide relevant, industry-leading solutions to evolving market needs.

Precision design practices and rigorous reliability testing result in dependable luminaires that thrive in outdoor environments. Valet LED is rated for operation in -30°C to 40°C ambient environments [for 50°C ambient, specify HA option], comes equipped with 10kV transient surge protection and is backed by a five-year warranty from a world class manufacturer.

FEATURES + BENEFITS

CONSTRUCTION + FINISH

One piece, die-cast aluminum housing features heavy wall construction for superior heat transfer and reliable operation in -30°C to 40°C ambient conditions. [For 50°C ambient, specify HA option]. Formed aluminum doorframe is secured via four [4] stainless steel captive fasteners and is recessed for clean mating of door to housing. Optional tamper proof Torx™ head fasteners [TR] offer vandal resistant access to the electrical compartment. Valet LED is finished in Super TGIC polyester powder coat paint. Six [6] standard colors. RAL and custom colors available.



SURGE SUPPRESSION

Valet LED is shipped standard with a replaceable circuit module [MA1253] incorporating internal fusing and MOVs designed to withstand 10kV of transient line surge.

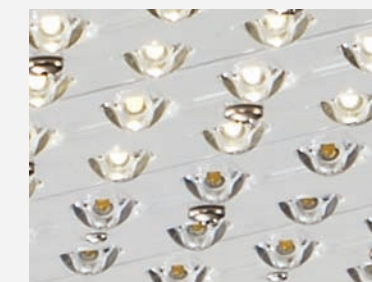


ACCULED OPTICS™

AccuLED Optics™ provide shaped distributions and scalability to meet exacting application requirements. Valet LED is offered in 1-4 LightBAR™ configurations with a choice of eight [8] high efficiency optical systems, including a family of glare light eliminator optics [GL] that shield high angle light from oncoming drivers. Optional factory-set optic rotation [L90 or R90] allows uniform product orientation on the site independent of optical orientation. LightBARs feature an IP66 enclosure rating.

POWER AND LUMENS BY NUMBER OF LIGHTBARS

Number of LightBARs	DISTRIBUTION								
	Power [Watts]	GL2	GL3	GL4	CQ	SQ	WQ	RW	CFP
7 LED LIGHTBAR									
C01	27	1,869	1,895	1,842	1,959	1,929	1,965	1,866	1,742
C02	54	3,708	3,761	3,655	3,886	3,827	3,899	3,702	3,457
C03	77	5,463	5,540	5,384	5,725	5,638	5,744	5,454	5,093
C04	101	7,266	7,369	7,161	7,615	7,499	7,640	7,254	6,774
21 LED LIGHTBAR									
B01	27	2,299	2,331	2,266	2,409	2,373	2,417	2,295	2,143
B02	51	4,561	4,625	4,495	4,780	4,707	4,796	4,554	4,252
B03	73	6,719	6,814	6,622	7,042	6,935	7,065	6,708	6,264
B04	95	8,938	9,064	8,808	9,366	9,224	9,397	8,923	8,332



ENERGY SAVINGS SOLUTIONS

Valet LED provides up to 75% energy savings over traditional sources when utilizing equivalent LED LightBAR configurations in conjunction with optional bi-level switching [2L]. LightBAR™ additive design technology allows for the reduction of luminaire power consumption without impacting the overall shape or directionality of the distribution, closely maintaining lighting uniformity levels.

MOUNTING VERSATILITY

Standard fixture mounts to a square or octagonal 4" surface or recessed mount j-box via heavy gauge painted quick mount box complete with toolless removable cable allowing for hands-free fixture wiring. Optional mounting methods include pendant mount, trunnion mount, wall mount and direct lag surface mount configurations.



PENDANT BOX/BIRD GUARD [PBG]

Optional pendant box/ bird guard offered for use with 3/4" free swinging or rigid pendant systems while allowing adjustment to ensure a level hanging luminaire.

TRUNNION MOUNT [TMB]

Optional trunnion mount bracket allows for direct attachment to the ceiling surface using anchors [supplied by others] and offers 8-3/8" to 13-1/2" adjustment from the mounting surface. Supplied with a 1/2" threaded connection box for wiring connections outside of fixture.



WALL MOUNT [WM]

Optional wall mount arm creates a uniform parking structure aesthetic with matching path and perimeter luminaires. Supplied with a j-box adapter and quick mount plate for ease of installation and wiring inspection.

SURFACE MOUNT [SM]

For direct lagging of the cast housing to a concrete surface using anchors [supplied by others], cast in knock outs and 3/4" threaded conduit taps allow power to be routed to the fixture top or side. 25°C maximum ambient, not rated for through branch wiring.