

B1535 1000, 1300, 2000, 2400, 3000 lm

B1

Wide Beam, Downlight, 4 1/2" Square Parabolic Trim
Xicato® XSM Remote Phosphor
Fixed Function, MultiSource® Technology



Optics and Applications

The parabolic curve of the square aperture is designed to produce a soft even pattern of light across the floor plane. The sealed corners and LED positioning allow the high efficiency fixture to provide deep shielding and low brightness. Suitable for low to high ceiling applications. Beam angle 75°.

Design Features - MultiSource® Capable

Fixture housings are designed with MultiSource® plug and play connectors allowing conversion to other sources. New lighting technologies will be incorporated as they become available assuring continuity. The fixture incorporates an aperture assembly which slides 1/4" in any direction and pivots 7° while maintaining optimum photometric performance. Proprietary passive heat sinks ensure proper temperatures are maintained. Service from below only. Maximum ceiling thickness is 1 1/2".

Modules

Xicato® XSM remote phosphor modules use high efficiency blue LEDs that convert to white light when directed through a phosphor lens. Lumen packages are 1000 lm, 1300 lm, 2000 lm, 2400 lm and 3000 lm. Standard 3000K, 80 CRI. 2700K, 3500K, 4000K available. Rated Life is 50,000 hours at 70% lumen output.

Dimming Driver

Dimming is standard 0-10V/10%. See accessories for additional dimming options. Specify voltage.

Finish

Standard trim is anodized Softglow® clear. SoftSheen™ is a new finish that lowers apparent brightness due to remote phosphor sources. Colors available, see accessories. Steel parts are phosphate conditioned then painted matte black to suppress light leaks.

Warranty

5 year limited. See KV website for manufacturers details.

General

Fixture is pre-wired and thermally protected, UL and C-UL listed, for damp location and eight wire, 75°C, branch circuit wiring. All products are union made IBEW. Designed and manufactured in the USA.

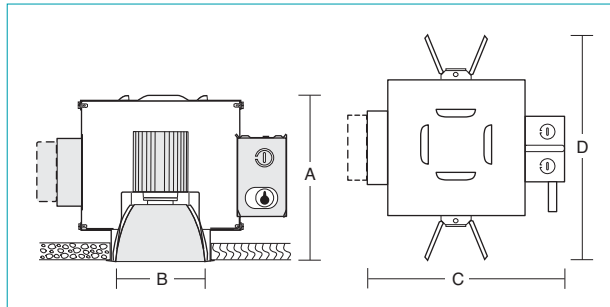
Accessories

- SB Softglow black.
- SG Softglow gold.
- SH Softglow mocha.
- SP Softglow graphite.
- WT White trim flange.
- R2 26" support rails.
- R5 52" support rails.
- F Fuse.
- FMH4 Flush mount, drywall.
- ST Softglow titanium.
- SW Softglow wheat.
- SY Softglow pewter.
- SZ Softglow bronze.
- WHT White complete cone.
- 27 2700 Kelvin temp.
- 35 3500 Kelvin temp.
- 40 4000 Kelvin temp.

For wood and other materials contact factory.

- D1 Lutron to 1%, 3 wire control.
- DE Lutron EcoSystem to 1%, digital 4 wire.
- REM Remote Bodine EM. Includes battery pack, charger light, test switch and single lamp operation for 90 minutes. Ceiling access required.
- SS SoftSheen™ add SS, e.g. SSW, SoftSheen™ Wheat.
- AS Xicato® XSM Artist Series 95 CRI modules 1000 lm or 1300 lm. Contact factory for energy information.

Dimensions and Sources



Number	A Depth	B Aperture	C Width*	D Length	LED Module
B1535	8 5/8" 219mm	4 1/2" 114mm	12 1/8" 308mm	13 3/4" 349mm	1000 lm or 1300 lm Xicato® XSM
	8 5/8" 219mm	4 1/2" 114mm	13 7/16" 341mm	13 3/4" 349mm	2000 lm, 2400 lm or 3000 lm Xicato® XSM

*For 1000 lm and 1300 lm with Lutron dimming use 13 7/16".

Energy and Ordering Information

Fixture	Module Lumens	System Lumens	System Watts	lm/W	Order Code		
					Model	L	K V
B1535	1000*	742 [‡]	16	47.2	B1535	10	30 27
	1300*	1021 [‡]	23	44.6	B1535	13	30 27
	2000*	1538 [‡]	37	42.0	B1535	20	30 27
	2400	1703 [△]	32	53.0	B1535	24	30 27
	3000	2060 [△]	38	54.0	B1535	30	30 27

Fixture provided standard 3000K with Softglow® clear trim.
Module lumens: specify 10 for 1000 lm, 13 for 1300 lm, 20 for 2000 lm, 24 for 2400 lm, 30 for 3000 lm.
Kelvin temperatures: specify 27 for 2700K, 30 for 3000K, 35 for 3500K, 40 for 4000K.
Voltage: specify 12 for 120V, 27 for 277V.
[‡]Indicates LM-79 Test Data. [△]Indicates KV Test Data.
*ENERGY STAR® Certified.



Kurt Versen Company Point Source Lighting
Westwood, New Jersey 07675

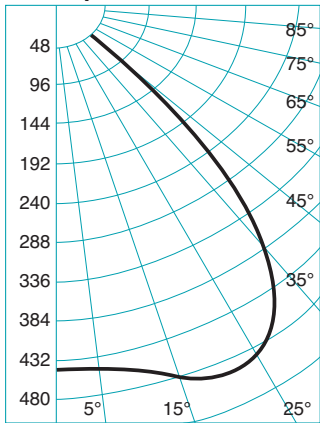
B1 B1535

Performance Datachart

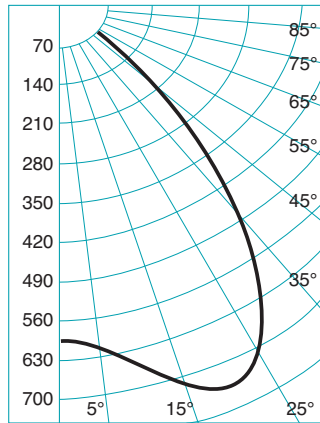
Single Unit Initial Footcandles, 30" Work Plane						Ceiling to Floor	Multiple Units Initial Footcandles, 30" Work Plane			
B1535 Xicato® XSM 1000 lm 3000K Read Top Data B1535 Xicato® XSM 1300 lm 3000K Read Middle Data B1535 Xicato® XSM 2000 lm 3000K Read Bottom Data							Ceiling 80% Walls 50% Floor 20%			
Nadir						Spacing is Maximum Over Work Plane				
20°		30°		40°		Spacing	RCR 1	RCR 3	RCR 8	
FC	Diam	FC	Diam	FC	Diam					
15	4'	10	6'	3	9'	7'	16	14	10	
20	4'	14	6'	4	9'	7'	22	19	13	
30	4'	21	6'	5	9'	7'	33	29	21	
10	5'	7	8'	2	11'	8'	12	10	7	
14	5'	10	8'	3	11'	8'	16	14	10	
22	5'	15	8'	4	11'	8'	24	21	15	
8	5'	5	9'	2	13'	10'	9	7	5	
11	5'	7	9'	2	13'	10'	12	10	7	
16	5'	11	9'	3	13'	10'	18	16	11	
6	6'	4	10'	1	14'	11'	7	6	4	
8	6'	6	10'	2	14'	11'	9	8	6	
13	6'	9	10'	2	14'	11'	14	12	9	
5	7'	3	11'	1	16'	12'	5	5	3	
7	7'	5	11'	1	16'	12'	7	6	4	
10	7'	7	11'	2	16'	12'	11	10	7	

Single Unit Initial Footcandles, 30" Work Plane						Ceiling to Floor	Multiple Units Initial Footcandles, 30" Work Plane			
B1535 Xicato® XSM 2400 lm 3000K Read Top Data B1535 Xicato® XSM 3000 lm 3000K Read Bottom Data							Ceiling 80% Walls 50% Floor 20%			
Nadir						Spacing is Maximum Over Work Plane				
20°		30°		40°		Spacing	RCR 1	RCR 3	RCR 8	
FC	Diam	FC	Diam	FC	Diam					
33	4'	22	6'	7	9'	7'	33	28	19	
40	4'	26	6'	9	9'	7'	40	34	22	
24	5'	15	8'	5	11'	9'	24	20	14	
28	5'	19	8'	6	11'	9'	29	24	16	
18	5'	12	9'	4	13'	10'	18	15	10	
21	5'	14	9'	5	13'	10'	22	18	12	
14	6'	9	10'	3	14'	12'	14	12	8	
17	6'	11	10'	4	14'	12'	17	14	9	
11	7'	7	11'	2	16'	13'	11	9	6	
13	7'	9	11'	3	16'	13'	13	11	8	

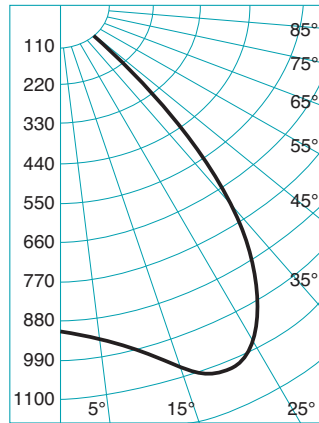
Candlepower Distribution



B1535 Xicato® XSM 1000 lm 3000K
Luminous efficacy 47.2 S/M 1.30



B1535 Xicato® XSM 1300 lm 3000K
Luminous efficacy 44.6 S/M 1.30

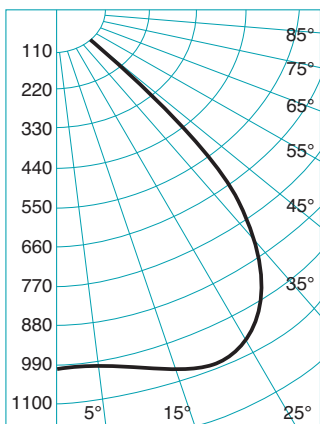


B1535 Xicato® XSM 2000 lm 3000K
Luminous efficacy 42.1 S/M 1.3

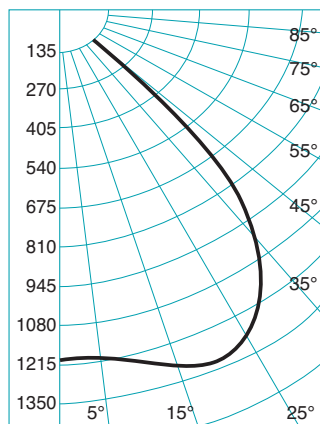
Candelas

	16W	23W	37W
o	742*	1021*	1538*
0	443	601	919
5	447	606	937
10	459	625	997
15	479	660	1081
20	494	686	1114
25	489	680	1087
30	456	633	984
35	380	524	732
40	214	295	336
45	89	119	127
50	36	47	53
55	24	32	35
60	17	22	24
65	11	15	16
70	7	10	10
75	4	6	5
80	2	3	2
85	0	0	0
90	0	0	0

o Vertical Angles
* Luminaire Lumens



B1535 Xicato® XSM 2400 lm 3000K
Luminous efficacy 53.0 S/M 1.36



B1535 Xicato® XSM 3000 lm 3000K
Luminous efficacy 54.0 S/M 1.36

	32W	38W
o	1703*	2060*
0	997	1200
5	999	1203
10	1030	1240
15	1071	1292
20	1088	1307
25	1075	1293
30	1006	1211
35	839	1012
40	489	592
45	262	318
50	100	122
55	59	72
60	42	52
65	30	38
70	21	27
75	14	19
80	8	12
85	5	8
90	0	0

o Vertical Angles
* Luminaire Lumens

Notes

- Photometric Reports:
B1535 (1000 lm) LTL Report No. 260350,
(1300 lm) LTL Report No. 260351,
(2000 lm) LTL Report No. 64168,
(2400 lm) KV Report No. 51514,
(3000 lm) KV Report No. 51514-A.
- Data on all charts calculated with a clear Softglow® trim finish.
- Softglow® colored trim multipliers, contact factor
- SoftSheen™ trim multipliers, contact factory.
- Datachart degree headings measured one side from nadir. Diameter data includes both sides. Therefore the 15° column value describes a 30° pattern diameter at the work plane 30" above the floor. Footcandle values are at the diameter edge
- Datachart spacing is rounded off to the nearest foot
- The luminous efficacy (lm/W) refers to the total measured luminous flux (lumens) of the fixture divided by the total measured electrical input power (watts) of the complete fixture.