

HALO LED H4 Series

The Halo H4 LED is a family of 4" aperture recessed downlight housings designed for exclusive use with Halo EL4, ELG4, ELSG4 Series LED Light Engines and compatible 4" LED trims. Halo H4 LED housings have integral LED drivers that offer dimming as a standard feature.

H455TCPUNVD010 is a Non-IC, AIR-TITE™ housing designed for non-insulated Chicago Plenum rated ceilings, and offers dimming capability with 0-10V DC control systems. Designed for use with EL4 series LED Light Engines, and TL4, TLS4 LED Series Trims; and ELG4, ELSG4 Adjustable Gimbal Light Engine/Trim combinations. The H455TCPUNVD010 offers high quality downlighting along with high efficacy – the result being great lighting and significant energy savings.

DESIGN FEATURES

MECHANICAL

(A) Housings

- Single wall die-formed construction.
- Openings are gasketed for AIR-TITE installation (in Non-IC ceilings)

(B) Plaster Frame

- Galvanized steel die-formed construction.
- Plaster frame designed with removable bar hangers for installation in new construction.
- HALO identity embossed on plaster frame.

MOUNTING

(C) GOT NAIL! Pass -N-Thru™ Bar Hangers

Bar Hanger Features include:

- Pre-installed nail easily installs in regular lumber, engineered lumber and laminated beams.
- Safety and guidance system prevents snagging, ensures smooth straight nail penetration and allows bar hangers to be easily removed if necessary.
- Automatic leveling flange aligns the housing and lets you hold the housing in place with one hand while driving nails.
- Housing can be positioned at any point within 24" joist span.
- Score lines allow "tool-less" shortening for 12" joists.
- Bar hangers may be repositioned 90°.
- Bar hangers do not need to be removed from frame for shortening.
- Integral T-bar clips snaps onto T-bars - no additional clips required.

ELECTRICAL

(D) Junction Box

- Positioned to accommodate straight conduit runs.
- Seven 1/2" trade size conduit knockouts with true pry-out slots.
- Slide-N-Side™ connectors allow non metallic sheathed cable to be installed without tools and without removing knockouts.
- Accepts a wide range of non-metallic sheathed cables.
 - The standard cable types used in lighting in both U.S. and Canada.

- Allows wiring connections to be made outside the junction box.
- Simply insert the cable directly into the trap after connections are made.
- Accommodates the following standard nonmetallic sheathed cable types:
US: #14/2, #14/3, #12/2, #12/3
Canada: #14/2, #14/3, #12/2

(E) LED Connection

- LED connector is a non-screw base connector offering easy installation with the EL4, ELG4, ELSG4 Series LED Light Engines.
- LED connector meets California Title-24 high-efficacy luminaire requirement for a non-screw base socket, and where required to qualify as a high-efficacy luminaire.
- Sealed flex connection from junction box to housing for Chicago Plenum rating.

(F) LED Driver

- LED dimmable driver mounts to the housing junction box.
- Driver is a 120V-277V Universal Voltage, high efficiency, electronic power supply providing low voltage power to EL Series LED Light Engines.
- Driver meets FCC EMI/RFI Consumer Level limits for use in residential and commercial installations.
- Driver features power factor >.90, THD <20% and has integral thermal protection in the event of over temperature or internal failure.
- Driver is specifically designed for compatibility with EL4 LED Light Engines, and ELG4, ELSG4 Adjustable Gimbal Light Engine / Trims; and operates the LED for long life, meeting 50,000 hour / 70% lumen maintenance standard.
- If dimming is not required the fixture can be operated from a standard wall switch.

Dimming

- Dimmable with compatible 0-10V DC low voltage dimmers.
- 0-10V DC dimmers operate using two low voltage dimming wires (color coded violet and gray). The low voltage dimming wires are separate from the 120V AC or 277V AC power.

- Switching on/off is controlled via the line voltage (120V AC or 277V AC) power, and dimming operation is controlled with the 2-wire 0-10V DC low voltage wiring connection between the dimmer and the LED driver.

Warranty

Cooper Lighting provides a three year limited warranty on Halo LED Luminaires which includes the LED Recessed Housing, LED Light Engine, and LED trims.

Labels

- UL/cUL Listed 1598 Luminaire
- UL/cUL Listed for Damp Location
- UL/cUL Listed for Wet Location, covered ceiling - with select trims
- Meets Chicago Plenum requirements

Compliance

- Use with designated LED light engines and trims for ENERGY STAR® qualification.
- Can be used for State of California Title 24 high efficacy compliance with designated LED light engines and trims.
- Can be used for International Energy Conservation Code (IECC) high efficacy compliance with designated LED light engines and trims.
- Refer to specification sheets online for compliance information.

Qualification

AIR-TITE™ Certified under ASTM-E283 and listed UL/cUL 1598. May be used to meet restricted air-flow requirements such as:

- Washington State Energy Code
- International Energy Conservation Code (IECC)
- New York State Energy Conservation Construction Code (NY-ECCC)
- State of California Title 24 "Recessed Luminaires in Insulated Ceilings."

Catalog #		Type
Project		
Comments		Date
Prepared by		



H455TCPUNVD010 UPDATE

4-Inch LED Recessed Housing New Construction Non-Insulated Ceiling, Chicago Plenum rated -- With 4" LED Light Engines and 4" LED Trims

High Efficacy LED Housing - Dimmable when used with 0-10VDC Controls FOR USE IN NON-INSULATED CEILING

CAN BE USED IN INSULATED CEILING BUT INSULATION MUST BE KEPT 3" FROM ALL SIDES OF THE HOUSING

H4 Series LED Energy Data:

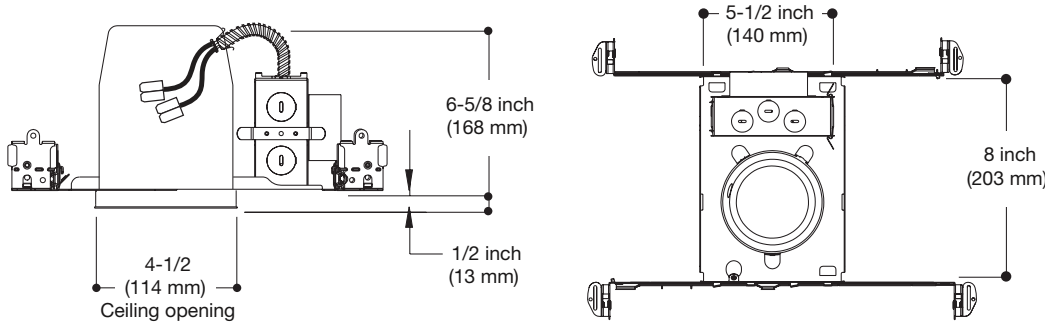
(Values at non-dimming line voltage)	
Minimum Starting Temp:	-30°C (-22°F)
EMI/RFI:	FCC Title 47 CFR, Part 18, (Consumer)
Sound Rating:	Class A standards
Input Voltage:	120V-277V
Power Factor:	>0.90
Input Frequency:	50/60Hz
THD:	<25%
Rated Wattage:	15W max.
Input Power:	13.9W
Input Current:	121mA
Driver Compliance:	UL8750, Class II rated
Maximum Non-IC (Non-Insulated Ceiling) Ambient Continuous Operating Room Temperature:	40°C (104°F)

H4 Series LED Summary Lighting Data:

Lumen range: 534-700
Lumens per watt: up to 46
Color	
Correlated Color Temperature (CCT): 2700-4000K
Color Rendering Index (CRI, Ra): 80



DIMENSIONS



ORDERING INFORMATION - H4 LED Downlights

SAMPLE NUMBER: H455TCPUNVD010 EL405827 TL402SCS

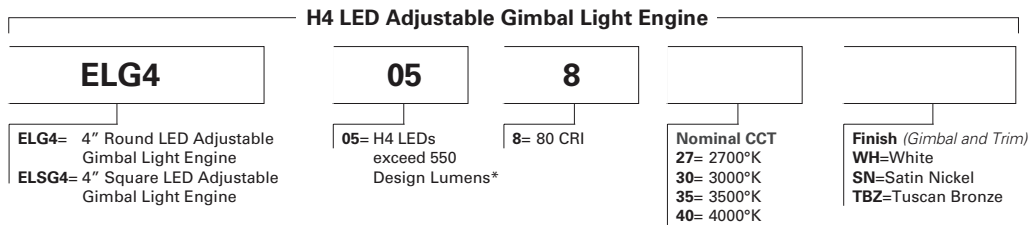
Complete unit includes LED housing, light engine, and trim, ordered separately

H4 LED Housing			H4 LED Light Engine				H4 LED Trim	
H455	TCP	UNVD010	EL4	05	8	27	TL40x	
<p>H455= 4" Housing H4 LED Series Downlight</p> <p>TCP= New Construction, NON-Insulated Ceiling, AIR-TITE, Chicago Plenum</p>			<p>UNVD010= LED driver, 120V-277V, 50/60Hz, Dimmable with 0-10V DC dimming controls (see dimming application notes, and refer to dimmer manufacturers for compatibility)</p> <p>EL4= 4" LED Down- light Light Engine</p> <p>05= 550 Design Lumens*</p> <p>8= 80 CRI</p> <p>27=2725°K 30=3045°K 35=3465°K 40=3985°K</p> <p>* Lumen output range of 534-700 lumens (depending upon color temperature and trim)</p>				<p>TL410SC = Specular Clear Reflector, White Ring TL410H = Haze Reflector, White Ring TL410WH = White Reflector, White Ring TL410SN = Satin Nickel Reflector, Satin Nickel Ring TL410TBZ = Tuscan Bronze Reflector, Tuscan Bronze Ring TL410SBK = Black Specular Reflector, White Ring TL411WB = White Baffle, White Ring TL411BB = Black Baffle, White Ring TL402SCS = Solite® Glass Lens, Specular Clear Reflector and White Ring, Shower Rated TL402HS = Solite® Glass Lens, Haze Reflector and White Ring, Shower Rated TL402WHS = Solite® Glass Lens, White Reflector and White Ring, Shower Rated TL402SNS = Solite® Glass Lens, Satin Nickel Reflector and Satin Nickel Ring, Shower Rated TL402TBZS = Solite® Glass Lens, Tuscan Bronze Reflector and Tuscan Bronze Ring, Shower Rated TL402SBKS = Solite® Glass Lens, Black Specular Reflector and White Ring, Shower Rated TL403WBS = Solite® Glass Lens, White Baffle and White Ring, Shower Rated TL403BBS = Solite® Glass Lens, Black Baffle and White Ring, Shower Rated TLS408WHWB = Square Baffle Trim, Solite® Glass Lens, White Ring with White Baffle, Shower-rated TLS408WHBB = Square Baffle Trim, Solite® Glass Lens, White Ring with Black Baffle, Shower-rated TLS408SNBB = Square Baffle Trim, Solite® Glass Lens, Satin Nickel Ring with Black Baffle, Shower-rated TLS408TBZBB = Square Baffle Trim, Solite® Glass Lens, Tuscan Bronze Ring with Black Baffle, Shower-rated TL409WW = Wall Wash, Semi-Specular Clear Reflector with White Ring, Shower-rated TL409WHWW = Wall Wash, White Reflector with White Ring TL422PS = Polymer "Dead Front" Baffle & Regressed Lens Trim, White Baffle and Ring</p>	
Accessories								
<div style="border: 1px solid black; width: 100%; height: 20px; margin-bottom: 5px;"></div> <div style="border: 1px solid black; width: 100%; height: 20px; margin-bottom: 5px;"></div>								
<p>Designer Trim Rings, Thin Profile <i>For use with Round TL4 trims (not compatible with Square TLS4 trims).</i> TRM400WH=White, die-cast trim ring TRM400BK=Black, die-cast trim ring TRM400SN=Satin Nickel, die-cast trim ring TRM400TBZ=Tuscan Bronze, die-cast trim ring TRM400PC=Polished Chrome, die-cast trim ring</p>								

ORDERING INFORMATION - H4 LED Downlights

SAMPLE NUMBER: H455TCPUNVD010 ELG405827TBZ

Complete unit includes H4 LED housing and Adjustable Gimbal Light Engine, ordered separately.
(Note H4 LED TL4xx Downlight Trims are not compatible with H4 LED ELG4xx Adjustable Gimbals.)



* Lumen output of 598 lumens based upon 2700°K color temperature.

Optional Accessory Reflector Kit (ordered separately)

TL412RK includes:

- 25° reflector (one is included with gimbal)
- 35° reflector
- 50° reflector

TL412RK is for use with ELGxx and ELSGxx Gimbals only.

Optional Lens Media (ordered separately)

One lens media may be used in place of clear lens.

Optical Lenses

- L110 Diffuse Sand Blasted Lens
- L111 Soft Focus Textured Lens
- L113 Prismatic Lens
- L115 Linear Spread Lens

Dichroic Color Films

- L114 UV Filter
- L120 Red
- L121 Amber
- L122 Yellow
- L123 Green
- L124 Daylight
- L125 Blue
- L127 Cosmetic Color Filters
- L130 Yellow

Solite® is a registered trademark of AGC Flat Glass North America

Note: Specifications and Dimensions subject to change without notice.

Visit our web site at www.cooperlighting.com

Customer First Center 1121 Highway 74 South Peachtree City, GA 30269 770.486.4800 FAX 770 486.4801
Cooper Lighting 5925 McLaughlin Rd. Mississauga, Ontario, Canada L5R 1B8 905.507.4000 FAX 905.568.7049